

Assembly Instructions

NAJA 4045 - 4SC BROWN SIDE CHAIR SKU# 42440456
NAJA 4046 - 4SC STONE SIDE CHAIR SKU# 42440468



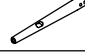
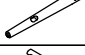
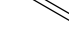
Version#1 - 2025/09/05

Thank you for purchasing this quality product. Be sure to check all packing material carefully for small parts, which may have come loose inside the carton during shipment. Identify and count all parts and compare with the **HARDWARE LIST** below.

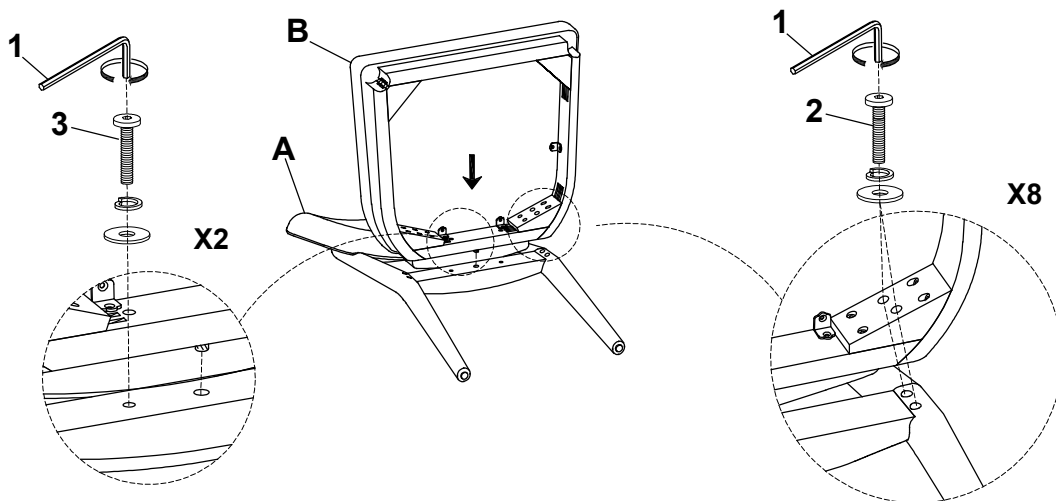
Caution: Please read instructions thoroughly before unpacking assembly parts.

1. We recommend that you assemble this product with the assistance of another person; this will make assembly easier, and will help to eliminate damage to the product or injury to persons during assembly.
2. Please put all parts on a non-abrasive floor before assembly, and follow the assembly steps to assemble your newly purchased product correctly and efficiently.
3. Do not tighten all bolts until the assembly is completed.

NO.	HARDWARE LIST		Q' TY
1		Allen key(L59 *4mm)	1PC
2		Bolt(Ø5/16" *18 *80mm)	8PCS
		Spring washer(Ø5/16" *Ø12mm *1.5mm)	8PCS
		Flat washer (Ø5/16" *Ø19mm *1.5mm)	8PCS
3		Bolt(Ø1/4" *20 *50mm)	2PCS
		Spring washer(Ø1/4" *Ø12mm *1.5mm)	2PCS
		Flat washer (Ø1/4" *Ø19mm *1.5mm)	2PCS
4		Screw M4* 1-1/2"	4PCS
TOOLS REQUIRED(NOT PROVIDED)			
Description		sketch	
Phillips screwdriver			

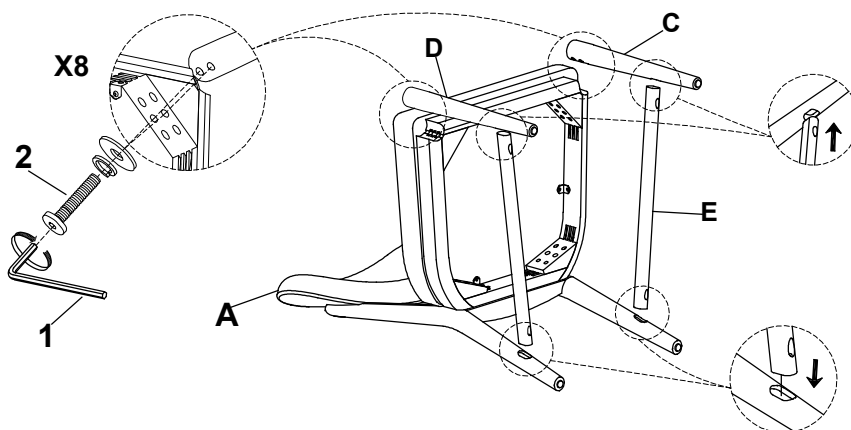
NO.	PARTS LIST		Q' TY
A		Back frame	1PC
B		Seat frame	1PC
C		Right Front Leg	1PC
D		Left Front Leg	1PC
E		Stretchers	2PCS

STEP:1



Assemble the seat frame to the back frame. Do not tighten all bolts until they are fully assembly.

STEP:2



"Assemble the stretchers to the back of the chair. Then attach the legs as shown in the picture."

Hardware pack Location(s): NAJA 4045 - 4SC BROWN SIDE CHAIR SKU# 42440456
NAJA 4046 - 4SC STONE SIDE CHAIR SKU# 42440468

Made in VietNam

Assembly Instructions

NAJA 4045 - 4SC BROWN SIDE CHAIR SKU# 42440456
NAJA 4046 - 4SC STONE SIDE CHAIR SKU# 42440468

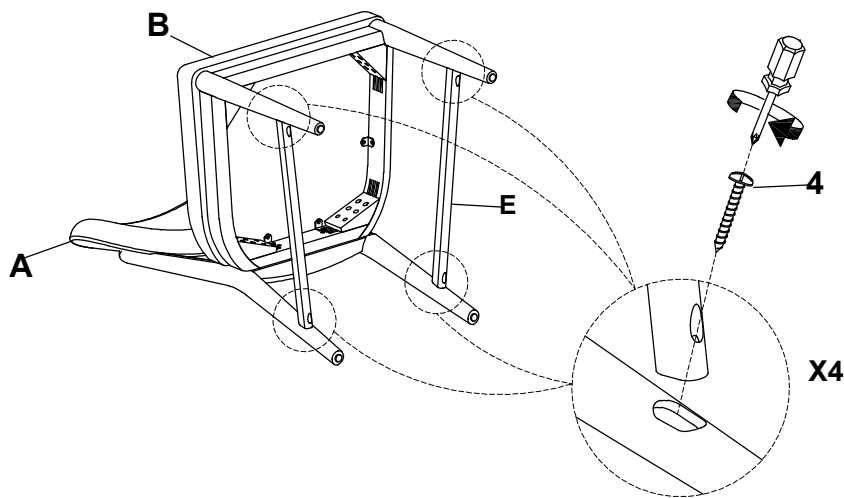
Version#1 - 2025/09/05

Thank you for purchasing this quality product. Be sure to check all packing material carefully for small parts, which may have come loose inside the carton during shipment. Identify and count all parts and compare with the HARDWARE LIST below.

Caution: Please read instructions thoroughly before unpacking assembly parts.

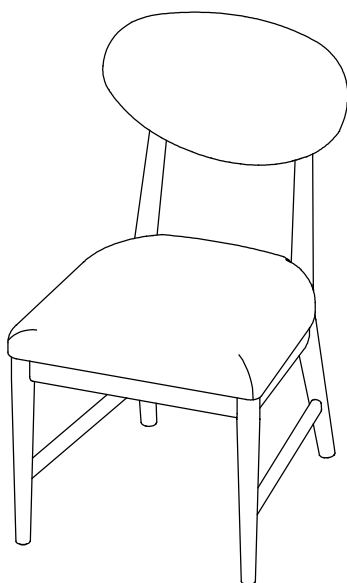
1. We recommend that you assemble this product with the assistance of another person; this will make assembly easier, and will help to eliminate damage to the product or injury to persons during assembly.
2. Please put all parts on a non-abrasive floor before assembly, and follow the assembly steps to assemble your newly purchased product correctly and efficiently.
3. Do not tighten all bolts until the assembly is completed.

STEP:3



Assemble the side stretcher with the chair leg,
Do not tighten all bolts until they are fully assembly

COMPLETED



Hardware pack Location(s): NAJA 4045 - 4SC BROWN SIDE CHAIR SKU# 42440456
NAJA 4046 - 4SC STONE SIDE CHAIR SKU# 42440468

Made in VietNam