







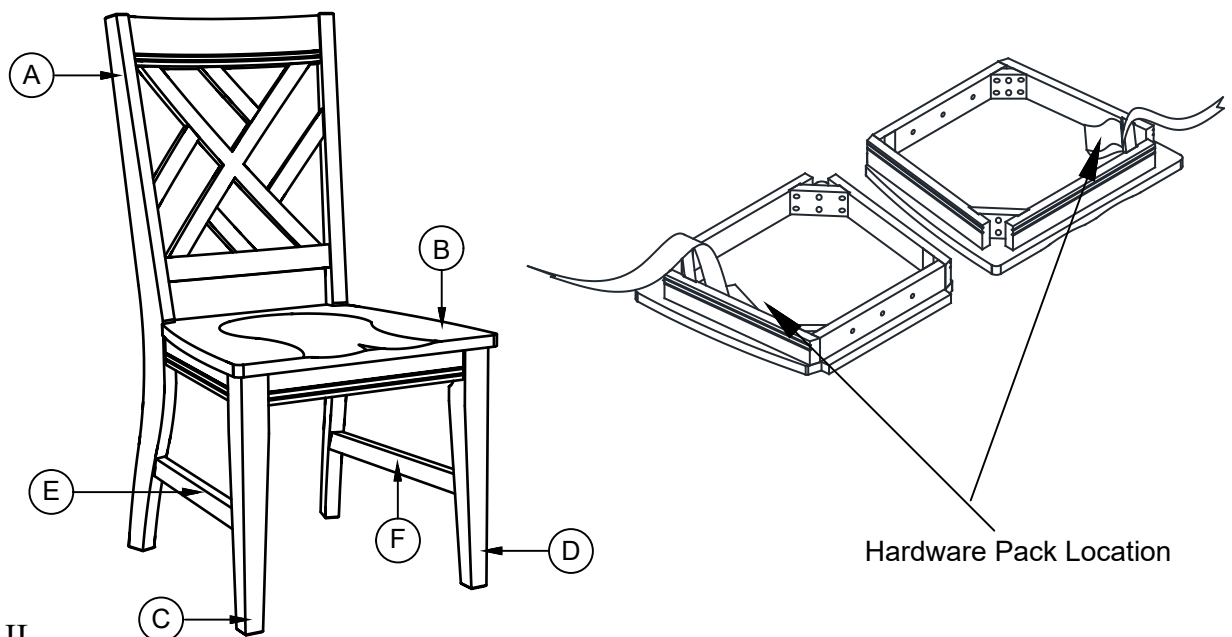
ASSEMBLY INSTRUCTIONS

ITCO 4265-CH SIDE CHAIR
SKU# 42442652

Manufactured for Rooms To Go.

Thank you for purchasing this quality product. Be sure to check all packing material for small parts which may have come loose inside carton during shipment. Identify and count all parts and compare with the hardware list as below:

Hardware List	No.	Description	Picture	Dimension	Qty
	1	Long Bolt M6 x 80mm		6 x P1.0 x 80mm	8 Pcs
		Spring Washer Ø 1/4" x 12		8 Pcs	
		Flat Washer Ø 1/4" x 19		8 Pcs	
	2	Short Bolt M6 x 35mm		6 x P1.0 x 35mm	3 Pcs
		Spring Washer Ø 1/4" x 12		3 Pcs	
		Flat Washer Ø 1/4" x 19		3 Pcs	
	3	Wood Screw		M4 x 38mm	4 Pcs
4	Allen Key		M4	1 Pc	
Parts List	No.	Description			Qty
	A	Chair Back			1 Pc
	B	Seat With Frame			1 Pc
	C	Front Leg- Left			1 Pc
	D	Front Leg- Right			1 Pc
	E	Side Stretcher- Left			1 Pc
	F	Side Stretcher- Right			1 Pc



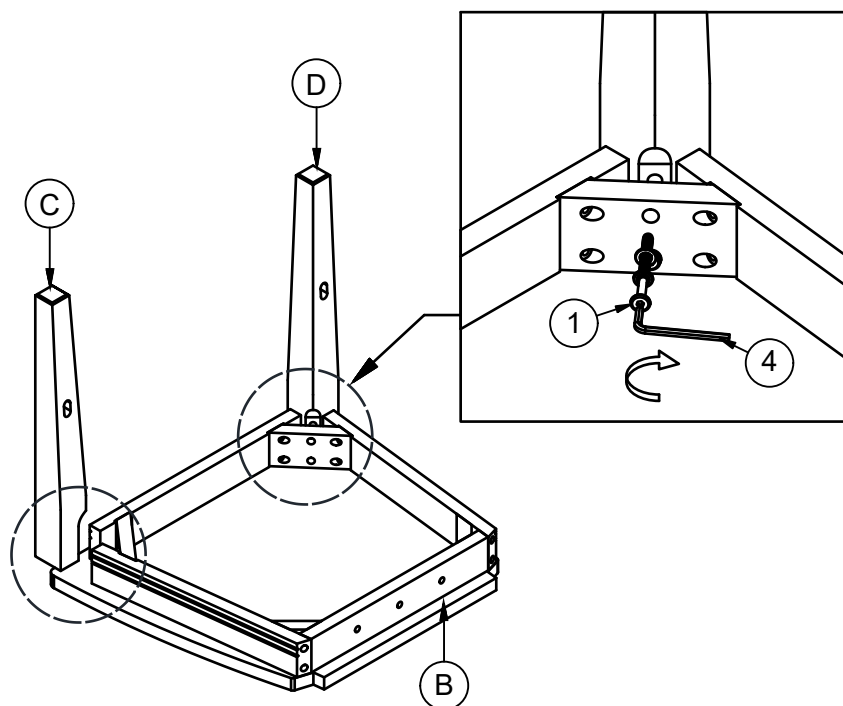
PARTS DETAIL

Hardware Pack Location (s) :
4265-CH SIDE CHAIR SKU# 42442652

Assembly steps

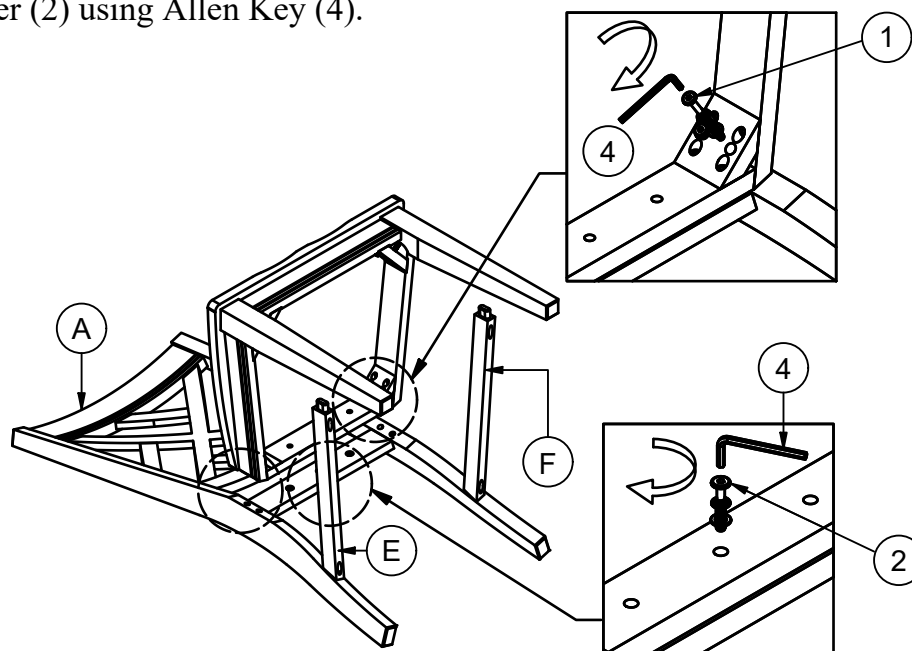
STEP 1

Attach front leg- left (C) and front leg- right (D) to the seat with frame (B)
Tighten with Allen Bolt, Lock Washer and Flat Washer (1) using Allen Key (4).



STEP 2

Attach seat with frame (B) side stretcher- left (E) side stretcher- right (F) to the chair back (A) and tighten with Long Bolt, Lock Washer and Flat Washer (1) and Short Bolt, Lock Washer and Flat Washer (2) using Allen Key (4).



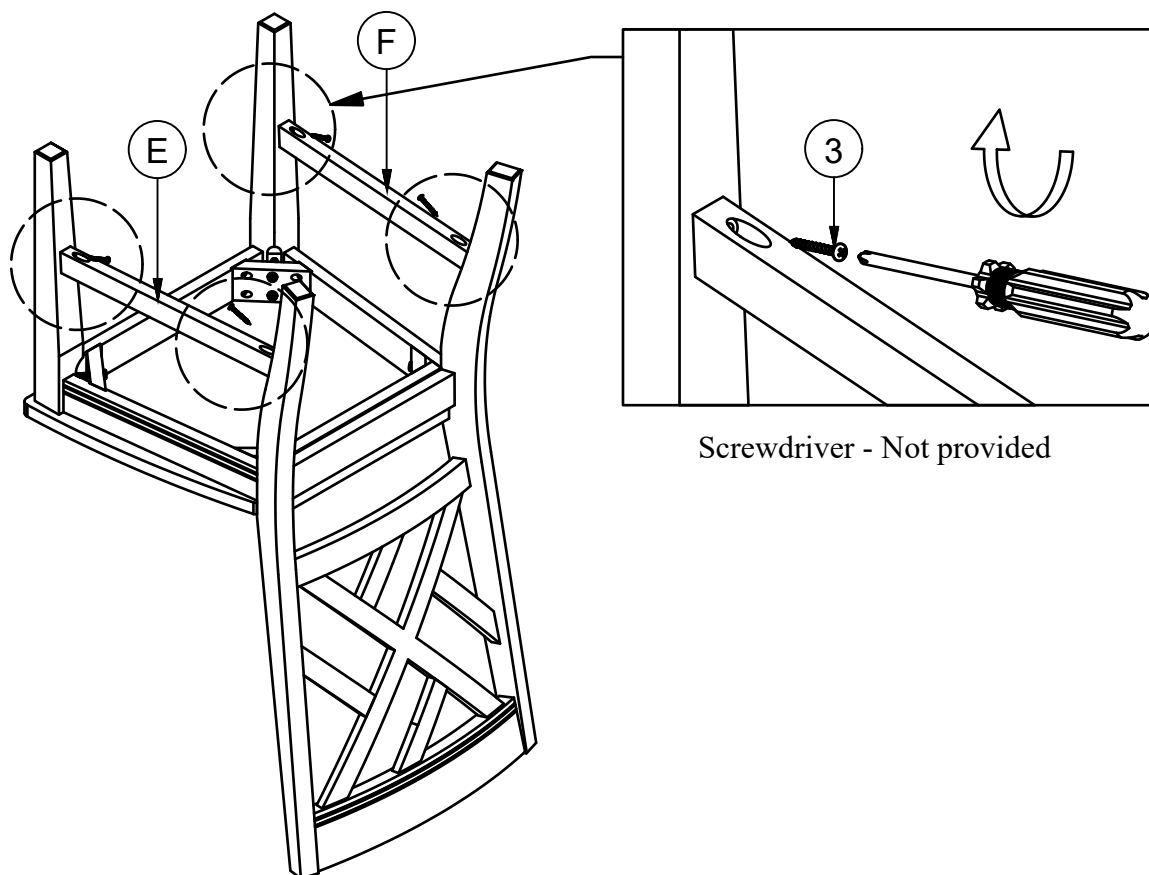
NOTE :

Make sure this product assemble on the flat and soft surface. Follow the instructions. Tighten all the nuts, bolts or screws firmly and make sure this product does not wobble before use.

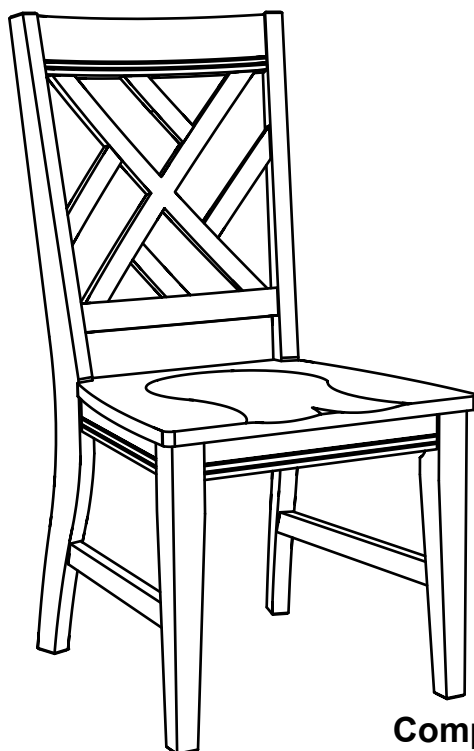
Assembly steps

STEP 3

Tighten side stretcher to front leg and chair back with wood screw (3) using screwdriver (Not provided).



STEP 4



Complete Assemble

NOTE :

Make sure this product assemble on the flat and soft surface. Follow the instructions. Tighten all the nuts, bolts or screws firmly and make sure this product does not wobble before use.