




T Ö V  
FURNITURE

Evora Cream Velvet - Gold Legs

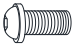



Assembly Instructions



## Parts List

Label	Picture	Description	QTY
A		Chair back and seat	1
B		Left leg	1
C		Right leg	1

## Hardware

Label	Picture	Description	QTY
F		Bolt	4
G		Bolt	4
H		Flat Washer	8
I		5*5 Allen Key	1

## Assembly Preparation

### Before Beginning Assembly:



- Read instructions, cover to cover-



- Have 2 adults on hand for assembly-



- Do not assemble on flooring or carpet-



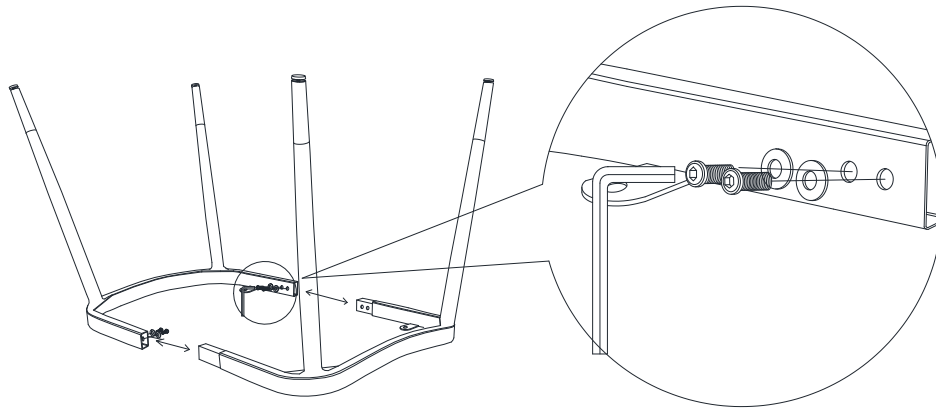
- Assemble on a clean non-marring surface (packing foam)-



- Save all packaging until finished-

# Assembly Steps

## Step 1

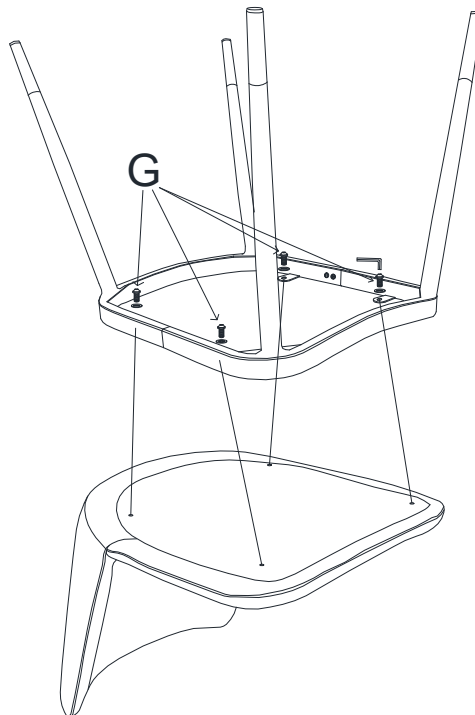


Please take the left leg and right leg and fasten all "F" bolts by tools(see above).

Please put it down of Chair in a clean area or some soft places for assembling the cushion of Seat

Please follow up that holes to assemble it and fasten all "G" bolts by tools (See below).

## Step 2



## Care & Maintenance



- Do not put hot items directly on furniture surface.



- Do not clean furniture with harsh cleansers or polish.



- Do not place furniture under direct sunlight.



- Do not place furniture near heating or cooling vents.



- Do not write on furniture without a padded barrier to protect the surface.



- Do not place furniture outside. For indoor use only.



- Not for commercial use. For residential use only.



- Stains may be removed with mild soap solution and damp cloth.



- Dust and pick-up spills using a clean, non-colored, lint-free cloth.