

ASSEMBLY INSTRUCTIONS

HILB


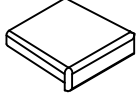


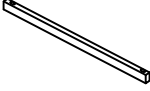
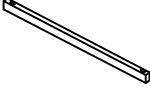
5449-803

DINING CHAIR - SKU : 42454493

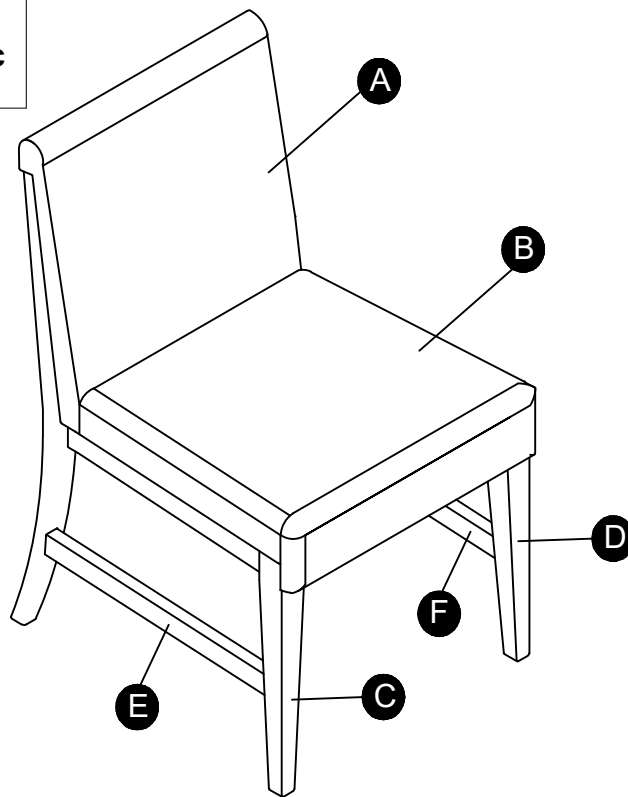
5449-803B

DINING CHAIR - SKU : 42454506

Thank you for purchasing this quality product. Be sure to check all packing materials carefully for small parts which may have come loose inside the carton during shipment. Identify and count all parts and compare with the parts list below.

COMPONENT LIST			
NO.	Description	Sketch	Q'TY
A	Back Rest		1pc
B	Seat Cushion		1pc
C	Front Leg - L		1pc
D	Front Leg - R		1pc
E	Stretcher - L		1pc
F	Stretcher - R		1pc

HARDWARE LIST				
NO.	Picture	Description	Dimension	Q'TY
1		Allen Key	4mm	1 pc
2		Screw	Ø4 x 45mm	4 pcs
3		Tool Required(not provided)		



Hardware pack locations

5449-803

DINING CHAIR - SKU : 42454493

5449-803B

DINING CHAIR - SKU : 42454506

PARTS DETAILS

This product is manufactured by HILB for **ROOMS TO GO** 

ASSEMBLY INSTRUCTIONS

HILB

5449-803

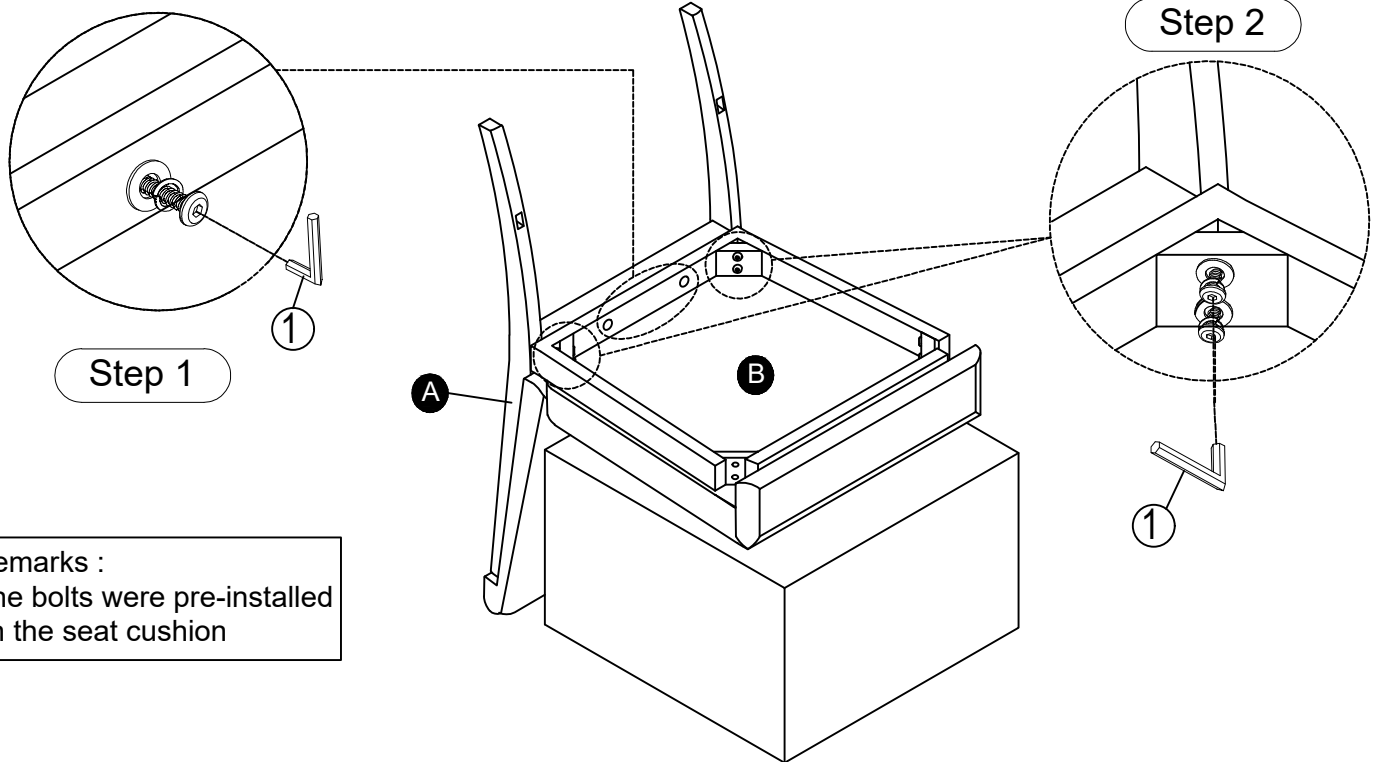
DINING CHAIR - SKU : 42454493

5449-803B

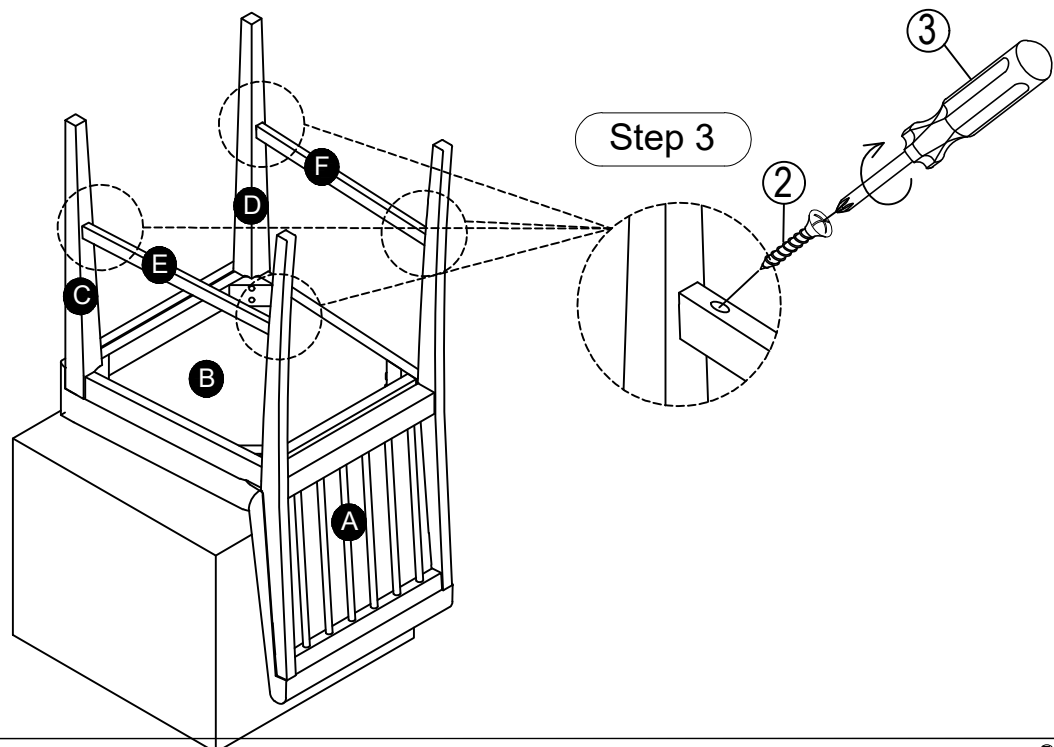
DINING CHAIR - SKU : 42454506

STEP 1: Attach the Seat Cushion (B) to Back Rest (A), and secure with flat washers, lock washers and bolts using allen key(1). Do not tighten all the bolts until the assembly is completed

STEP 2: Attach the Seat Cushion (B) to Back Rest (A), and secure with flat washers, lock washers and bolts using allen key(1). Do not tighten all the bolts until the assembly is completed



STEP 3: Attach The Stretcher - L(E) and The Stretcher - R(F) to Front Leg -L (C), Front Leg -R (D) and Back Rest (A), Secure with Screws (2), by using Philips Head Screw Driver (3) (not provided).



This product is manufactured by HILB for

ROOMS TO GO 

ASSEMBLY INSTRUCTIONS

HILB

5449-803

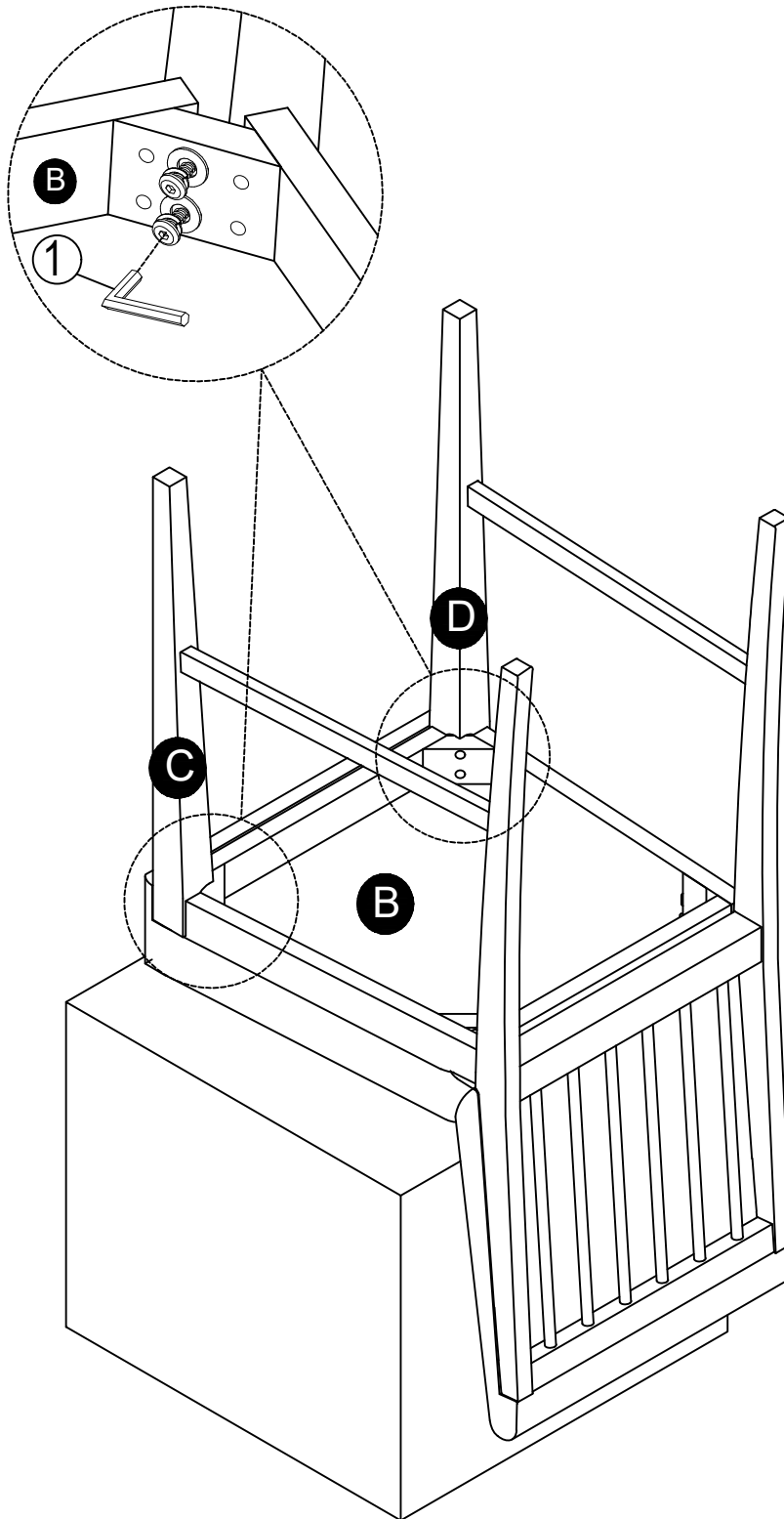
DINING CHAIR - SKU : 42454493

5449-803B

DINING CHAIR - SKU : 42454506

STEP 4: Attach the Front legs - L (C) and the Front legs - R (D) to Seat Cushion (B), and secure with flat washers , lock washers and bolts using allen key(1). Tighten all the bolts

Step 4



This product is manufactured by HILB for **ROOMS TO GO** 