



Assembly Instructions

SSIO SKU#: 5518-4
SKU#: 42455180

WALDORF SIDE CHAIR
WALDORF SIDE CHAIR

5518-4
5518-4

*** Caution. Please read all instructions carefully before starting the assembly process. These parts are cumbersome and heavy. Therefore, two people are recommended in order to prevent personal injury and insure the parts are not damaged during the assembly.

No.	PARTS LIST		
A		Chair Back	1
B		Seat Frame w/Seat Cushion	1
C		Left Front Leg	1
D		Right Front Leg	1
E	sticker stick under stretcher	Left Side Stretcher	1
F	sticker stick under stretcher	Right Side Stretcher	1

No.	HARDWARE LIST		
1		Long Bolt $\Phi \frac{5}{16}$ " x 75 mm (20 TPI)	4
		Lock Washer $\Phi \frac{5}{16}$ " x 13 mm	4
		Flat Washer $\Phi \frac{5}{16}$ " x 19 mm	4
2		Short Bolt $\Phi \frac{1}{4}$ " x 40 mm (20 TPI)	3
		Lock Washer $\Phi \frac{5}{16}$ " x 13 mm	3
		Flat Washer $\Phi \frac{5}{16}$ " x 19 mm	3
3		Hex Nut $\Phi \frac{5}{16}$ " x 12 mm	4
		Lock Washer $\Phi \frac{5}{16}$ " x 13 mm	4
		Flat Washer $\Phi \frac{5}{16}$ " x 19 mm	4
4		Wood Screw $\Phi \frac{5}{32}$ " x 40 mm	4
5		Wrench 12 mm	1
6		Allen Key 4 mm	1

Step 1

Attach the Seat Frame w/Seat Cushion (B) to the chair backrest of the Chair Back (A) by inserting Short Bolt/ Lock Washer/ Flat Washer (2) and tighten with Allen Key (6).
Note: Do not tighten bolts until the seat is fully assembled.

Step 2

Insert Long Bolt/ Lock Washer/ Flat Washer (1) at the corner to the rear back legs of the Chair Back (A) and tighten with Allen Key (6).
Note: Do not tighten bolts until the seat is fully assembled.

CLEANING INSTRUCTION: Clear with a soft cloth and warm water with a diluted mild detergent. Follow with a soft cloth and clear water rinse. Then dry thoroughly with a soft cloth.

MADE IN VIETNAM



Assembly Instructions

SSIO SKU#: 5518-4
SKU#: 42455180

WALDORF SIDE CHAIR
WALDORF SIDE CHAIR

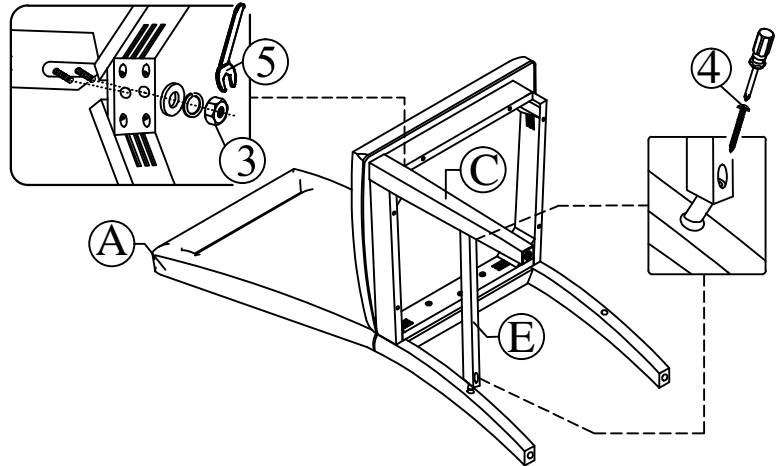
5518-4
5518-4

*** Caution. Please read all instructions carefully before starting the assembly process. These parts are cumbersome and heavy. Therefore, two people are recommended in order to prevent personal injury and insure the parts are not damaged during the assembly.

Step 3

Attach the Left Front Leg (C) to the seat frame by using Hex Nut/ Lock Washer/ Flat Washer (3), tighten with Wrench (5). Insert the Left Side Stretcher (E) in the middle of the front leg and back leg, and secure the Left Side Stretcher (E) with screws (4) by a Phillips-head screwdriver (not provided).

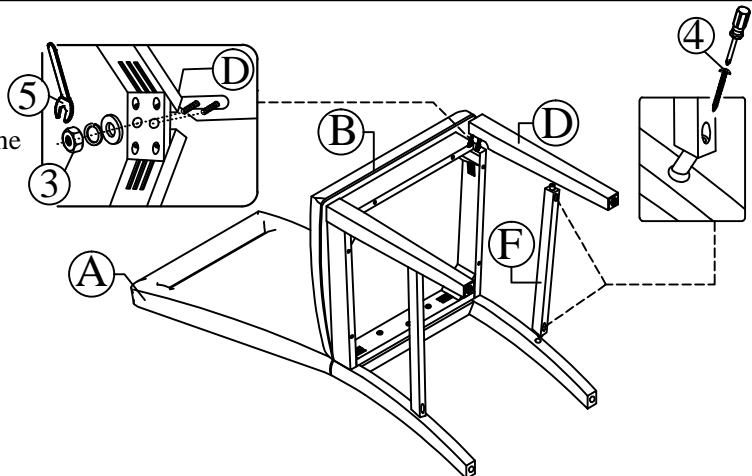
Note: Do not fully tighten all Hex Nuts & Screws until the chair is fully assembled.



Step 4

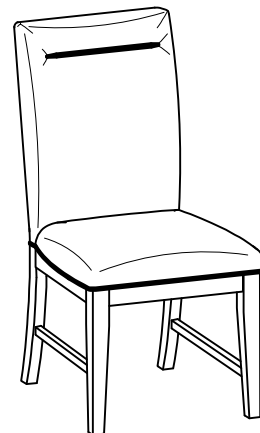
Attach the Right Front Leg (D) to the seat frame by using Hex Nut/ Lock Washer/ Flat Washer (3), tighten with Wrench (5). Insert the Right Side Stretcher (F) in the middle of the front leg and back leg, and secure the Right Side Stretcher (F) with screws (4) by a Phillips-head screwdriver (not provided).

Note: Do not fully tighten all Hex Nuts & Screws until the chair is fully assembled.



Step 5

Place the chair on a flat surface and adjust the legs so that chair is level and does not wobble. Fully tighten all Bolts and Hex Nuts in steps 3 & 4 with Allen Key (6) and Wrench (5). The chair is assembly completed.



CLEANING INSTRUCTION: Clear with a soft cloth and warm water with a diluted mild detergent. Follow with a soft cloth and clear water rinse. Then dry thoroughly with a soft cloth.

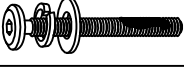
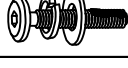
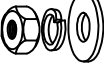

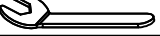

MADE IN VIETNAM

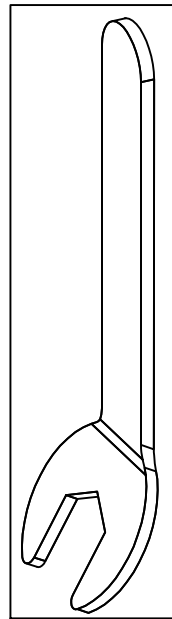
SSIO

5518-4

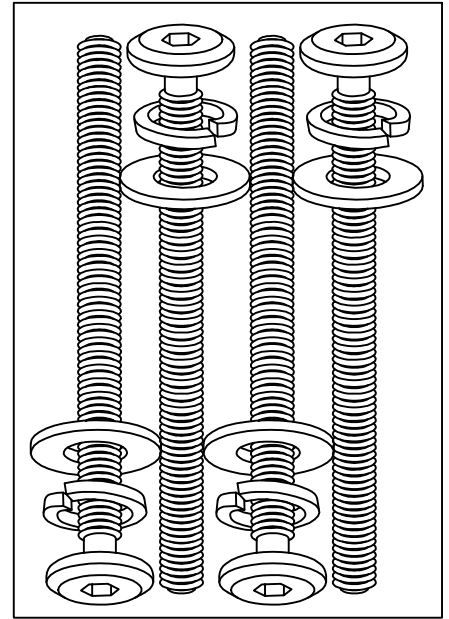
WALDORF SIDE CHAIR

42455180

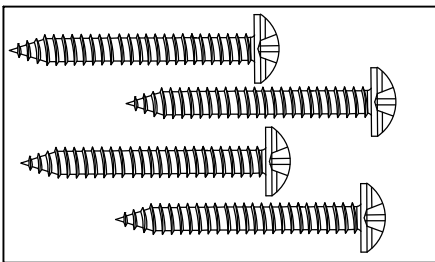
No.		Hardware List	QTY
1		Long Bolt $\Phi \frac{5}{16}$ " x 75 mm (20 TPI)	4
		Lock Washer $\Phi \frac{5}{16}$ " x 13 mm	4
		Flat Washer $\Phi \frac{5}{16}$ " x 19 mm	4
2		Short Bolt $\Phi \frac{1}{4}$ " x 40 mm (20 TPI)	3
		Lock Washer $\Phi \frac{5}{16}$ " x 13 mm	3
		Flat Washer $\Phi \frac{5}{16}$ " x 19 mm	3
3		Hex Nut $\Phi \frac{5}{16}$ " x 12 mm	4
		Lock Washer $\Phi \frac{5}{16}$ " x 13 mm	4
		Flat Washer $\Phi \frac{5}{16}$ " x 19 mm	4
4		Wood Screw $\Phi \frac{5}{32}$ " x 40 mm	4
5		Wrench 12 mm	1
6		Allen Key 4 mm	1



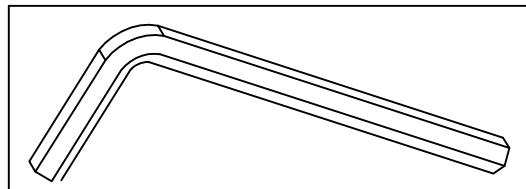
5



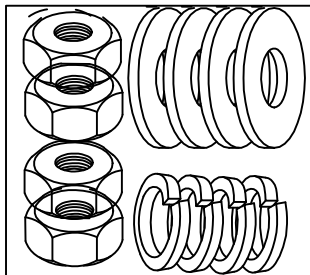
1



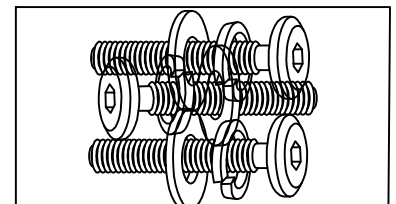
4



6



3



2