

ASSEMBLY INSTRUCTIONS

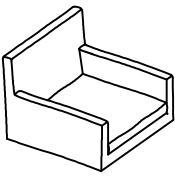
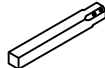
GROUP NO.: SH10050

ITEM NO.: SH10050BS / SH10050BRS / SH10050NS UPHOLSTERY CHAIR




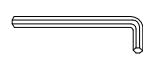
Thank you for purchasing this product. Please take time to read and follow the instructions below. Check that you have all parts and hardware before assembly. Parts apparently missing are often found in the packing materials. If you do not have all the parts listed, have your dealer contact us and they be sent to you immediately.

! It is recommended to install protective pads under all legs and supports to avoid damage or scratches when placing furniture on a wood floor or other hard surface, and to limit indentation and prevent discoloration if placing on carpet.

PARTS LIST:

NO.	DESCRIPTION	SKETCH	QTY
A	Upholstery frame		1 PC
B	Leg		4 PCS

HARDWARE LIST:

NO.	DESCRIPTION	SKETCH	SIZE	QTY
1	Flat washer		Ø5/16**19m	8 PCS
2	Spring washer		Ø5/16"	8 PCS
3	Bolt		Ø5/16**45mm	8 PCS
4	Allen Key		4mm*60mm	1 PC

Step 1:

Attach Leg (B) to the Upholstery Frame (A) by using Allen Bolt (3), Spring Washer (2), Flat Washer (1) and Allen Key (4).

