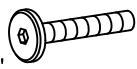


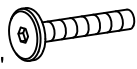


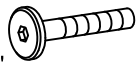



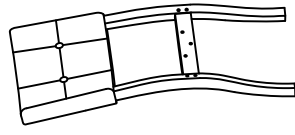
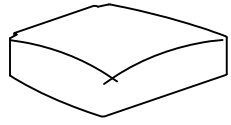
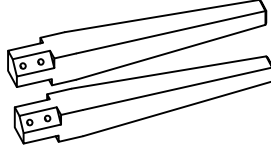
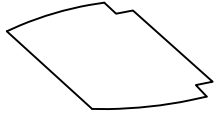
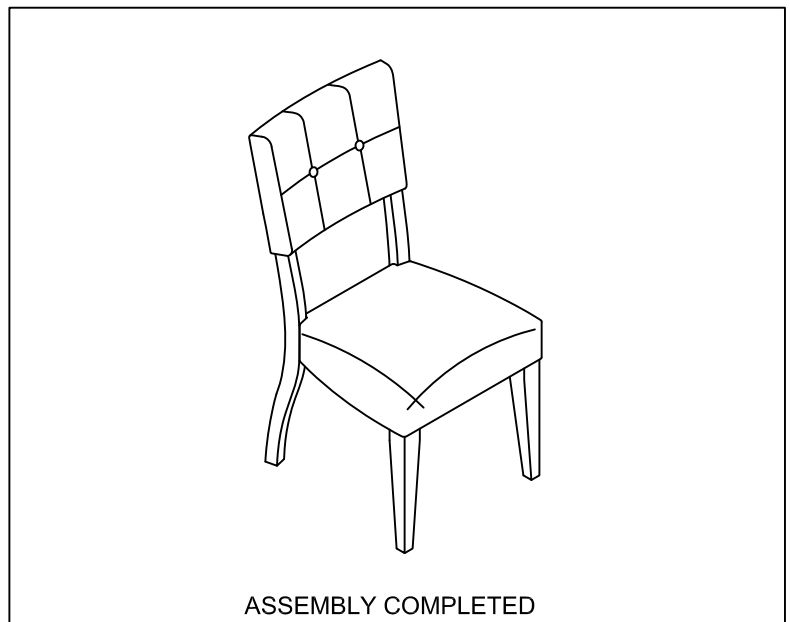


Step	Code	Hardware	Q'TY
1	A	Bolt Ø1/4" x 20 x 1-1/2" 	3 Pcs
		Boulon Ø1/4" x 20 x 1-1/2"	3 Pièces
1	B	Spring Washer Ø5/16" x Ø1/2" x 1/16" 	3 Pcs
		Rondelle de ressort Ø5/16" x Ø1/2" x 1/16"	3 Pièces
1	C	Flat Washer Ø5/16" x Ø3/4" x 1/16" 	3 Pcs
		Rondelle plate Ø5/16" x Ø3/4" x 1/16"	3 Pièces
2	D	Bolt Ø1/4" x 20 x 3-3/8" 	4 Pcs
		Boulon Ø1/4" x 20 x 3-3/8"	4 Pièces
2	B	Spring Washer Ø5/16" x Ø1/2" x 1/16" 	4 Pcs
		Rondelle de ressort Ø5/16" x Ø1/2" x 1/16"	4 Pièces
2	C	Flat Washer Ø5/16" x Ø3/4" x 1/16" 	4 Pcs
		Rondelle plate Ø5/16" x Ø3/4" x 1/16"	4 Pièces
3	E	Bolt Ø1/4" x 20 x 1-3/4" 	4 Pcs
		Boulon Ø1/4" x 20 x 1-3/4"	4 Pièces
3	B	Spring Washer Ø5/16" x Ø1/2" x 1/16" 	4 Pcs
		Rondelle de ressort Ø5/16" x Ø1/2" x 1/16"	4 Pièces
3	C	Flat Washer Ø5/16" x Ø3/4" x 1/16" 	4 Pcs
		Rondelle plate Ø5/16" x Ø3/4" x 1/16"	4 Pièces
	F	Allen Key 5/32" 	1 Pc
		Clé Allen 5/32"	1 Pièce

	PART LIST	QTY'
1	CHAIR BACK DOSSIER DE CHAISE 	1 PC 1 PIÈCE
2	SEAT SIEGE 	1 PC 1 PIÈCE
3	FRONT LEG (LEFT - RIGHT) PIEDS AVANT (GAUCHE - DROIT) 	2 PCS 2 PIÈCES
4	VELCRO 	1 PC 1 PIÈCE



### Hardware Pack Location(s):

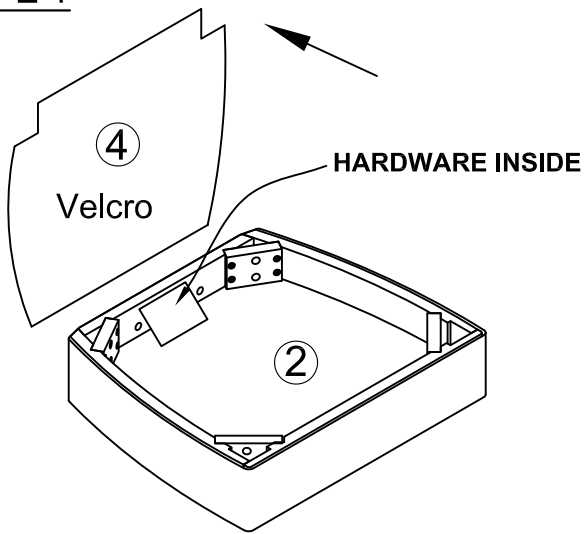
1105/6105-115-S DARK FINISH DINING CHAIR / CHAISE

SKU# 42461056

\*\*\*Caution: Please read all instructions carefully before starting the assembly process. These parts are cumbersome and heavy. Therefore, two people are recommended in order to prevent personal injury and insure the parts are not damaged during the assembly.

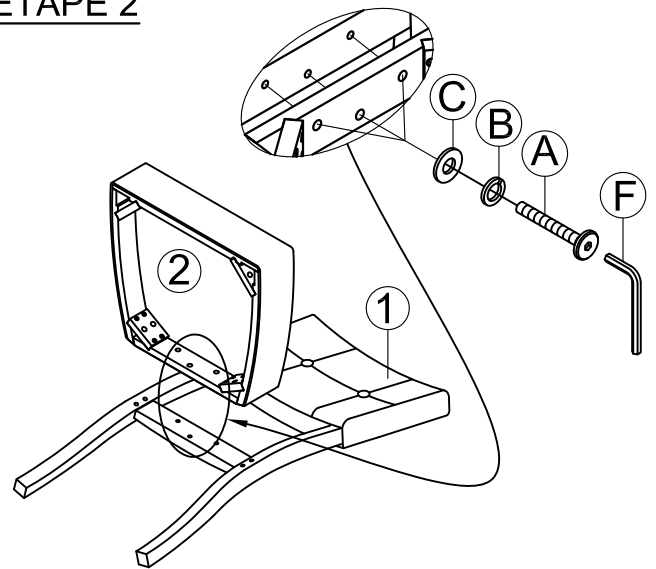
\*\*\*Avertissement: veuillez lire toutes les instructions attentivement avant de commencer l'assemblage. Ces pièces sont encombrantes et lourdes. Il est recommandé d'être deux personnes pour l'assemblage afin de prévenir des blessures et/ou risquer d'endommager les pièces.

**STEP 1**  
**ÉTAPE 1**



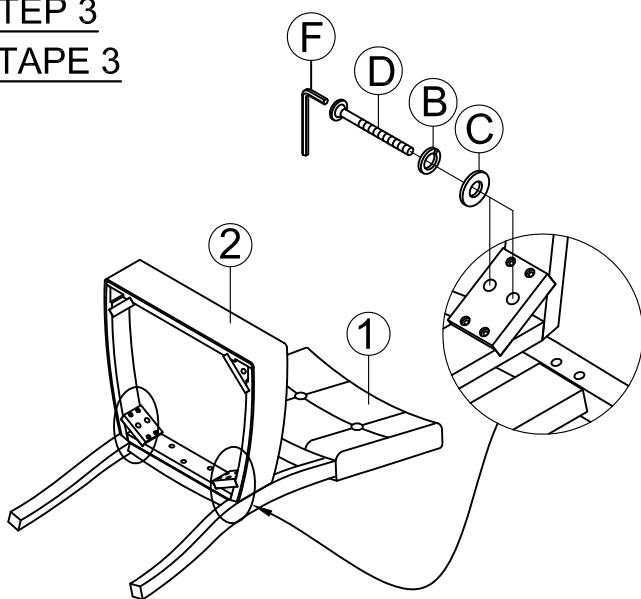
Note: Do not tighten all screws & bolts until the seat is fully assembly

**STEP 2**  
**ÉTAPE 2**



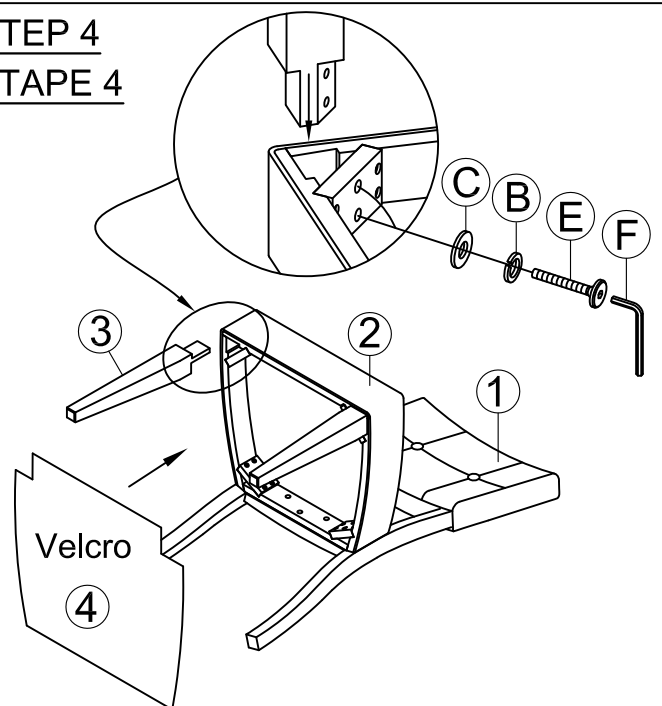
Attach the seat frame to the chair back.

**STEP 3**  
**ÉTAPE 3**



Screw the seat frame cornert to the rear legs.

**STEP 4**  
**ÉTAPE 4**



Attach the front legs to the seat frame.