



HOLLAND HOUSE

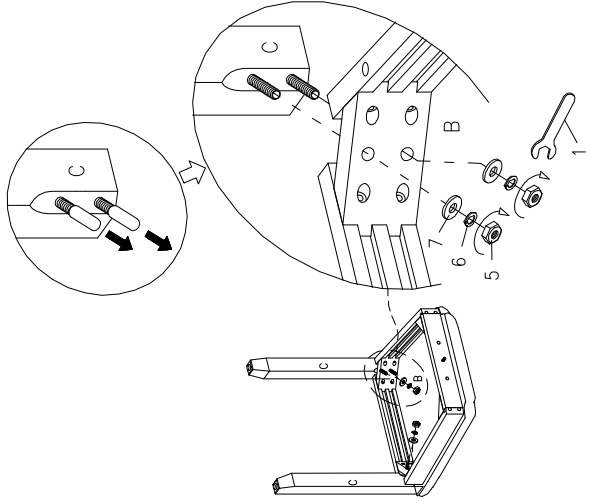
ASSEMBLY INSTRUCTIONS

HOUS 6278-02 X BACK DINING CHAIR w/CUSHION SEAT

SKU# 42462781

Thank you for purchasing this quality product. Be sure to check all packing materials carefully for small parts which may have come loose inside the carton during shipment. Identify and count all parts and compare with the parts list below.
**Assemble the product on a flat, soft surface such as a carpet or cloth to prevent scratching the finish. Read all instruction and study the drawings carefully before starting the assembly process.

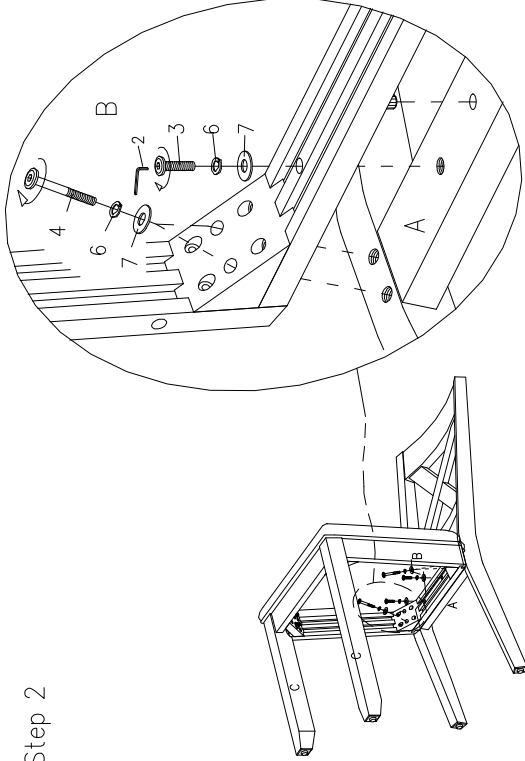
Step 1



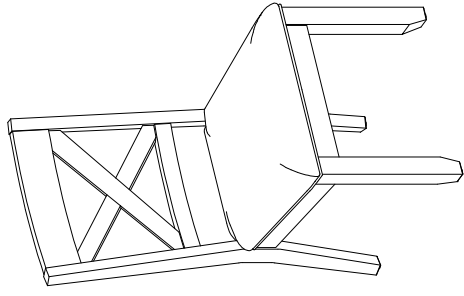
NO	DESCRIPTION	SKETCH	QTY
A	BACK REST		1 PC
B	SEAT FRAME WITH CUSHION		1 PC
C	Leg		2 PC

NO	DESCRIPTION	SKETCH	SIZE	QTY
1	OPEN WRENCH		#12	1 PC
2	ALLEN WRENCH		75x25x5MM	1 PC
3	BOLT		ø5/16" x 14x38mm	2 PCS
4	BOLT		ø5/16" x 14x75mm	4 PCS
5	HEX NUT		ø5/16" ø12x6mm	4 PCS
6	LOCK WASHER		ø5/16" x 14x2mm	10 PCS
7	FLAT WASHER		ø5/16" x 19x2mm	10 PCS

Step 2



Step 3



Cleaning Instruction: Clean finished parts with a mild dishwashing liquid and water solution on a damp cloth. Polish the finish with soft cloth and an industry recognized furniture polish.

Made in Vietnam