



ASSEMBLY INSTRUCTIONS

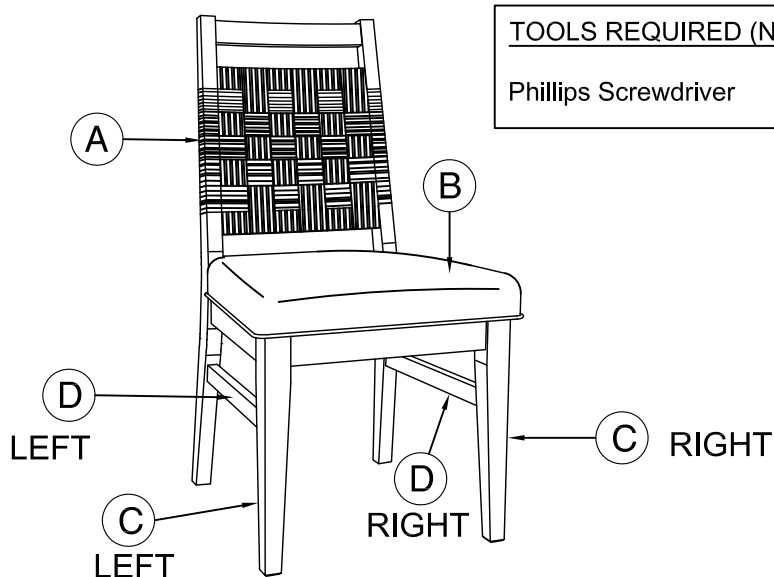
ITCO 6316-4 SIDE CHAIR SKU: 42463163

Manufactured by ITCO for Rooms To Go

Thank you for purchasing this quality product . Be sure to check all packing material carefully for small parts which may have come loose inside the carton during shipment .Identify and count all parts and compare with the hardware list as below :

	No.	Picture	Description	Dimension	Qty
Hardware list	①		HEX NUT with washer	5/ 16"x 18T x 1/2"	4 Pcs
	②		JCBC (M6) with washer	6 x P1.0 x 38mm	3 Pcs
	③		JCBC (M6) with washer	6 x P1.0 x 85mm	4 Pcs
	④		Screw (M4)	4 x 50mm	4 Pcs
	⑤		Allen Key (M4)	4 x 58mm	1 Pc
	⑥		Wrench	3" x 1/2"	1 Pc

	No.	Description	Qty
Parts list	A	CHAIR BACK	1 Pc
	B	SEAT FRAME	1 Pc
	C	FRONT LEG (LEFT & RIGHT)	2 Pcs
	D	SIDE STRETCHER (LEFT & RIGHT)	2 Pcs



PARTS DETAIL

Hardware Pack Location (s): Paste the outside of the foot box

SIDE CHAIR, SKU: 42463163

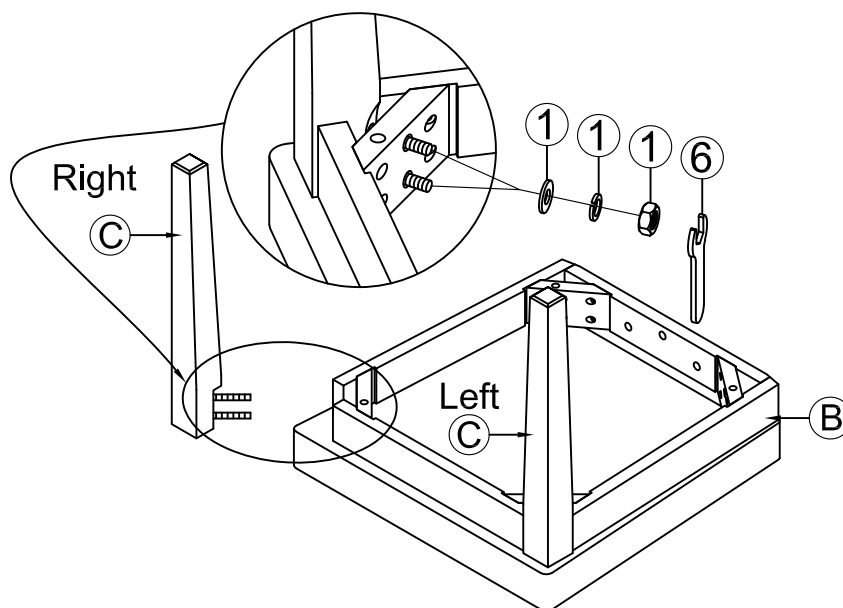
Version 1 - date created : 08-2023

Assembly Steps

STEP 1

Assemble chair front legs to the seat frame.

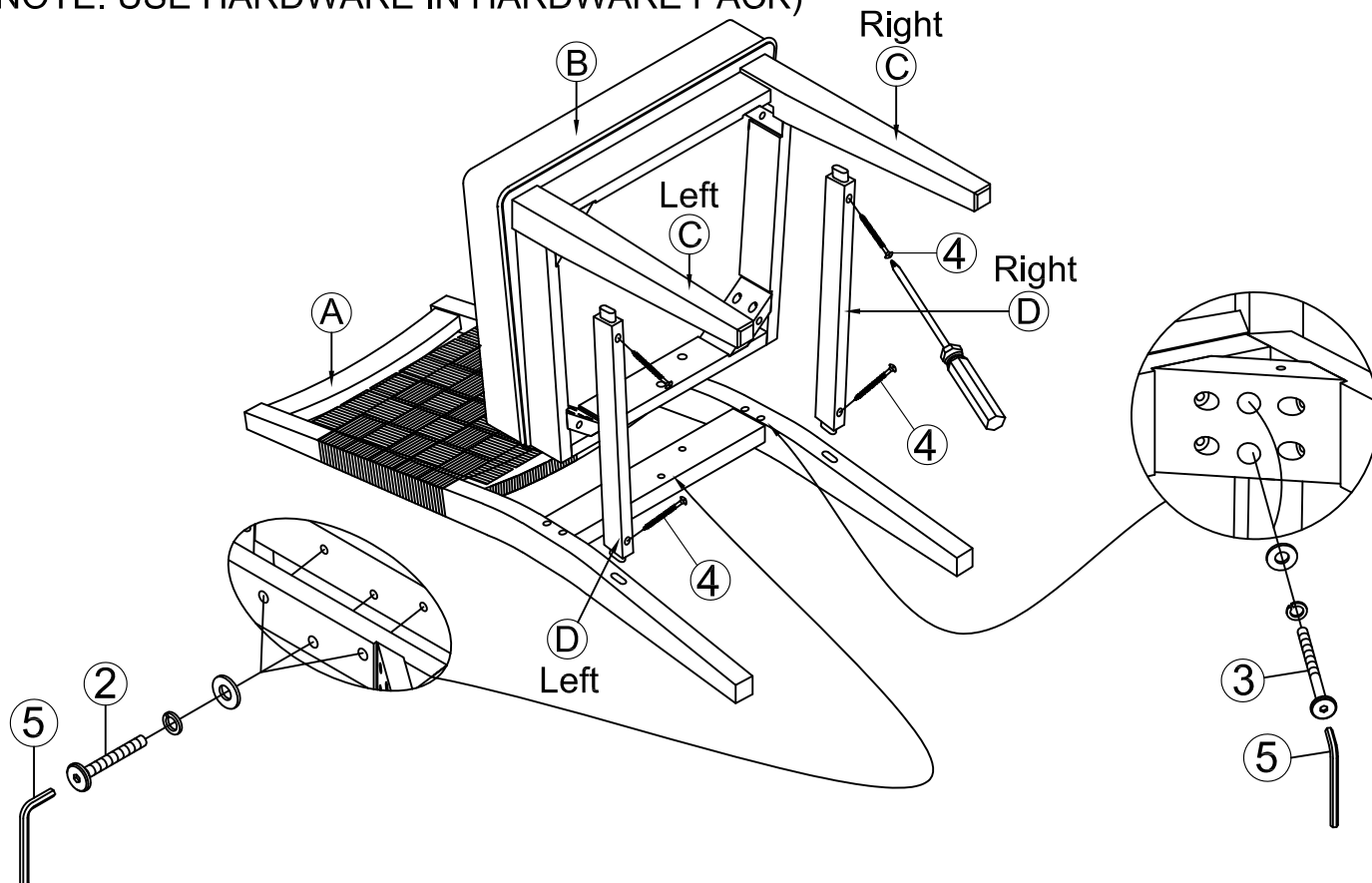
(NOTE: USE HARDWARE IN HARDWARE PACK)



STEP 2

Assemble seat frame & side stretcher to the chair back.

(NOTE: USE HARDWARE IN HARDWARE PACK)



NOTE :

To ensure that the unit is levelled, assemble the unit on flat & soft surface. DO NOT tighten all the screws & bolts until the unit been adjust & level all the legs so that they do not wobble. Once adjusted then only tighten all the screws using Allen Key while making sure the unit remain level.