

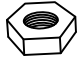
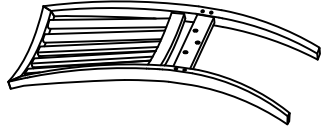

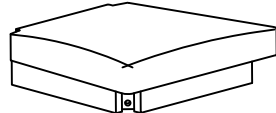

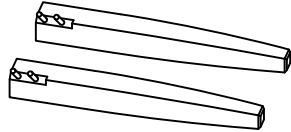

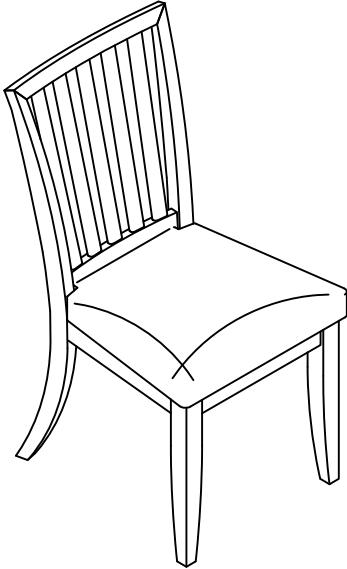



# Assembly Instruction

## Instructions d'assemblage

HOUS 3592-SC	SLATTED BACK DINING CHAIR
3596-SC	SLATTED BACK DINING CHAIR
3594-SC	SLATTED BACK DINING CHAIR
3598-SC	SLATTED BACK DINING CHAIR

SKU# 42435924
SKU# 42435962
SKU# 42435948
SKU# 42435986

**WARNING: To avoid alignment issue, please don't tighten the screws unless all legs are adjusted at the same level.**

HARDWARE LIST / LISTE DE QUINCAILLERIE		QTY' / QTÉ	PART LIST/LISTE DE PIÈCES		QTY' / QTÉ		
A	Hex-Nut Ø5/16"		4 pcs 4 pièces	1	CHAIR BACK DOSSIER DE CHAISE		1 PC 1 PIÈCE
	Ecrou Hexagonal Ø5/16"						
B	Short Bolt φ1/4" x 20 x 1-1/2"		3 pcs 3 pièces	2	SEAT SIEGE		1 PC 1 PIÈCE
	Boulon Ø1/4" x 20 x 1-1/2"						
C	Long Bolt φ1/4" x 20 x 3-3/8"		4 pcs 4 pièces	3	FRONT LEG PIEDS AVANT		2 PCS 2 PIÈCES
	Boulon Ø1/4" x 20 x 3-3/8"						
D	Spring Washer Ø5/16" x Ø1/2" x 1/16"		11 pcs 11 pièces	  ASSEMBLY COMPLETED			
	Rondelle de ressort Ø5/16" x Ø1/2" x 1/16"						
E	Flat Washer Ø5/16" x Ø3/4" x 1/16"		11 pcs 11 pièces				
	Rondelle plate Ø5/16" x Ø3/4" x 1/16"						
F	Wrench 3" x 1/2"		1 pc 1 pièce				
	Clé 3" x 1/2"						
G	Allen Key 1/8"		1 pc 1 pièce				
	Clé Allen 1/8"						

### Hardware Pack Location(s):

3592-SC	SLATTED BACK DINING CHAIR	SKU# 42435924
3596-SC	SLATTED BACK DINING CHAIR	SKU# 42435962
3594-SC	SLATTED BACK DINING CHAIR	SKU# 42435948
3598-SC	SLATTED BACK DINING CHAIR	SKU# 42435986

# Assembly Instruction Instructions d'assemblage

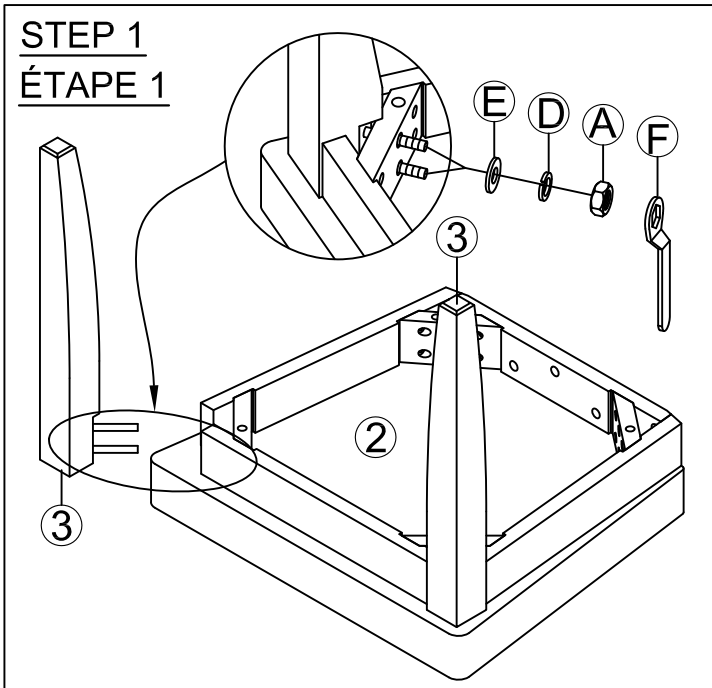
HOUS 3592-SC SLATTED BACK DINING CHAIR  
3596-SC SLATTED BACK DINING CHAIR  
3594-SC SLATTED BACK DINING CHAIR  
3598-SC SLATTED BACK DINING CHAIR

SKU# 42435924  
SKU# 42435962  
SKU# 42435948  
SKU# 42435986

\*\*\*Caution: Please read all instructions carefully before starting the assembly process. These parts are cumbersome and heavy. Therefore, two people are recommended in order to prevent personal injury and insure the parts are not damaged during the assembly.

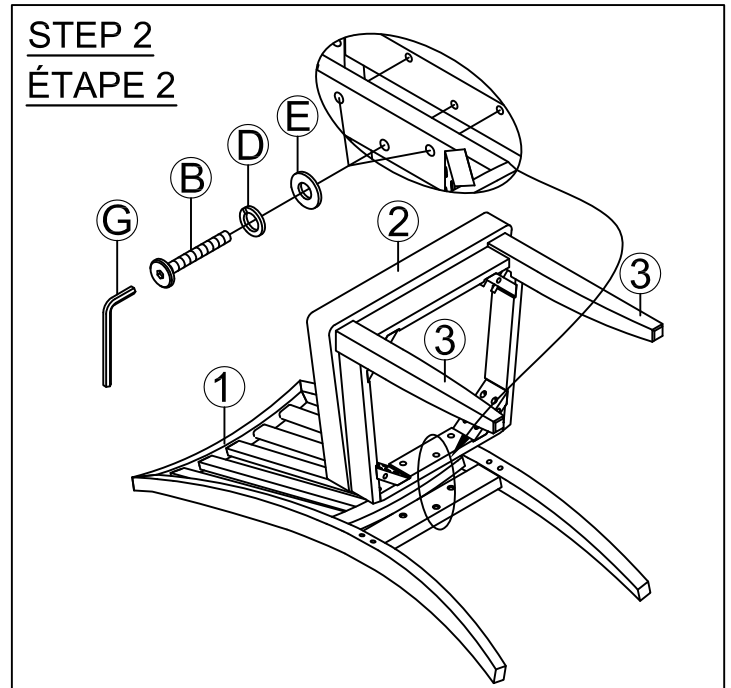
\*\*\*Avertissement: veuillez lire toutes les instructions attentivement avant de commencer l'assemblage. Ces pièces sont encombrantes et lourdes. Il est recommandé d'être deux personnes pour l'assemblage afin de prévenir des blessures et/ou risquer d'endommager les pièces.

## STEP 1 ÉTAPE 1



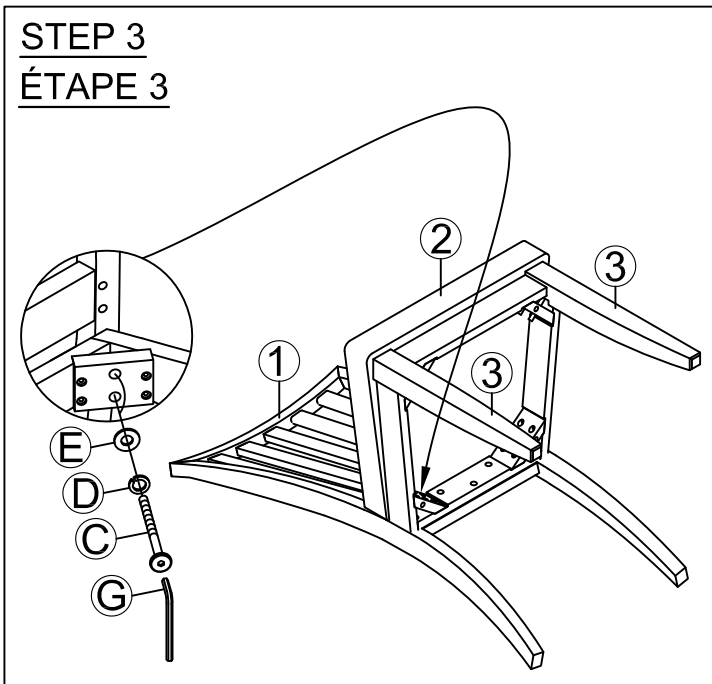
Attach the front legs to the seat frame.  
Note: Do not tighten all screws & bolts until the seat is fully assembly

## STEP 2 ÉTAPE 2



Attach the seat frame & front legs to the chair back.

## STEP 3 ÉTAPE 3



Screw the seat frame corner to the rear legs.