

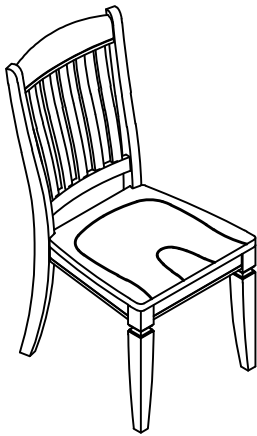
ASSEMBLY INSTRUCTIONS

MIYO 6709-7A SLAT BACK SIDE CHAIR SKU#42467096

MIYO 6719-7A SLAT BACK SIDE CHAIR SKU#42467197

Caution: Please read instructions thoroughly before unpacking assembly parts. Sharp, exposed staple tips can cause injury, therefore, for your protection, please remove any exposed staple used in packing.

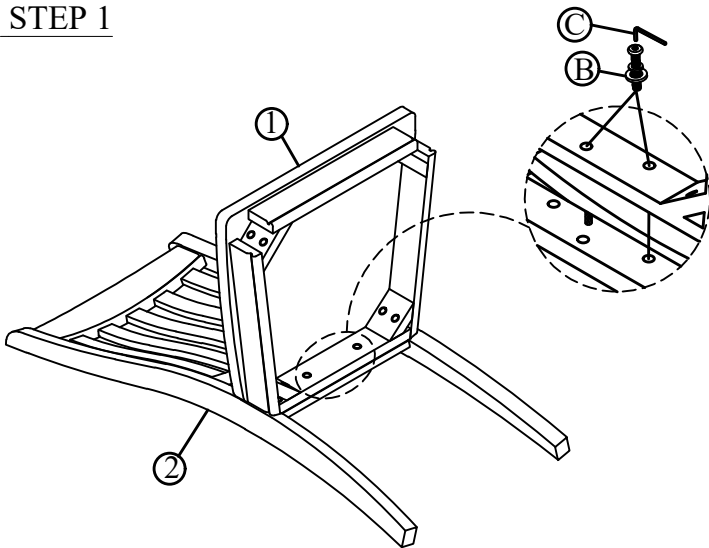
1. We recommend that you should assemble this product with the assistance of another person; this will make assembly easier, and will help to eliminate damage to the product or injury to persons during assembly.
2. Be sure to check all packing materials carefully for small parts that may have come loose inside the carton during shipment.
3. Please do not over tighten screws or bolts.
4. Please put all parts on a non-abrasive floor before assembly, and follow the assembly steps to assemble your newly purchased product correctly and efficiently.



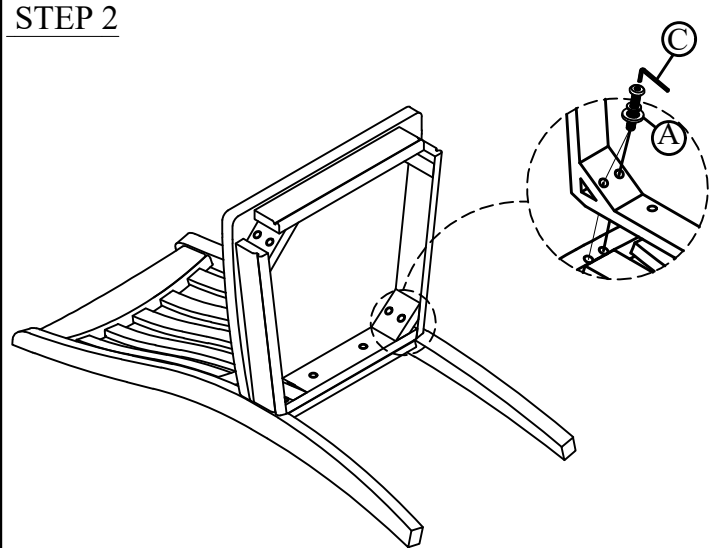
HARDWARE LISTS			
NO.	OUTLOOK	SIZE	Q'TY
A		JCBC Bolt 5/16"*18*2-3/4"	8PCS
		Lock washer 5/16"	8PCS
		Flat washer 5/16"x19mm*2mm	8PCS
B		JCBC Bolt 1/4"*20*1-1/2"	2PCS
		Lock washer 1/4"	2PCS
		Flat washer 1/4"x19mm*2mm	2PCS
C		Allen key 4mm	1PC

PART LISTS			
NO.	Sketch	Description	Q'TY
1		SEAT	1PC
2		CHAIR BACK	1PC
3		CHAIR LEG	2PCS

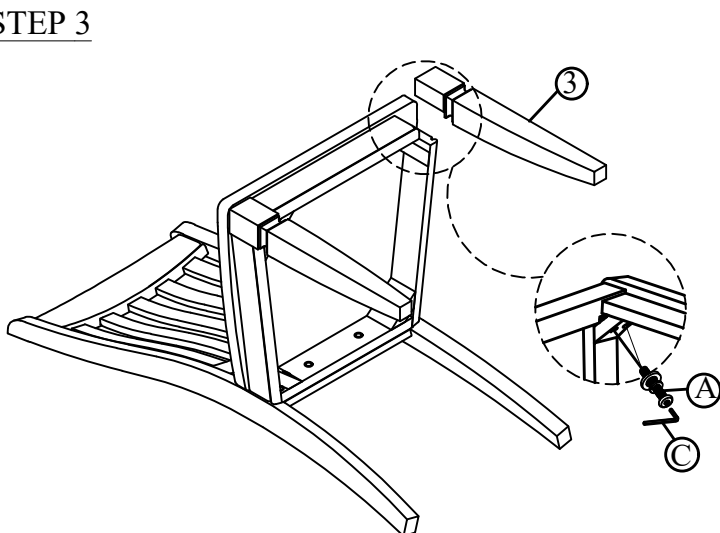
STEP 1



STEP 2



STEP 3



Completed

