

# ROOMS TO GO

Manufactured for Rooms To Go

## ASSEMBLY INSTRUCTIONS

HMIS 7904-1 WHITE SIDE CHAIR

SKU # 42479142

HMIS 7904-2 GRAY SIDE CHAIR

SKU# 42579144



HMIS 7904-3 BLUE SIDE CHAIR

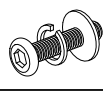

SKU# 42679146

HMIS 7904-4 RED SIDE CHAIR

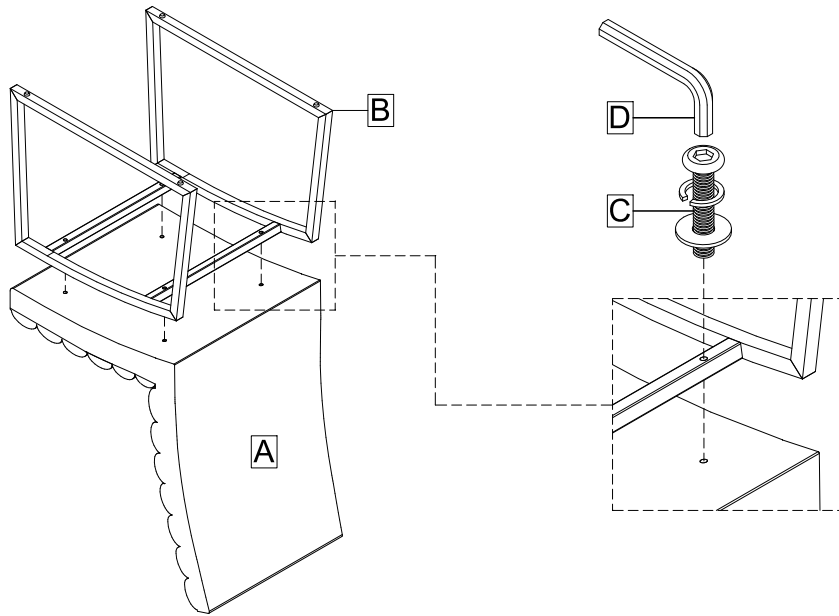
SKU# 42779148

\*\*\*Caution: Please read all instructions carefully before starting the assembly process. These parts are cumbersome and heavy. Therefore, two people are recommended in order to prevent personal injury and insure the parts are not damaged during the assembly.

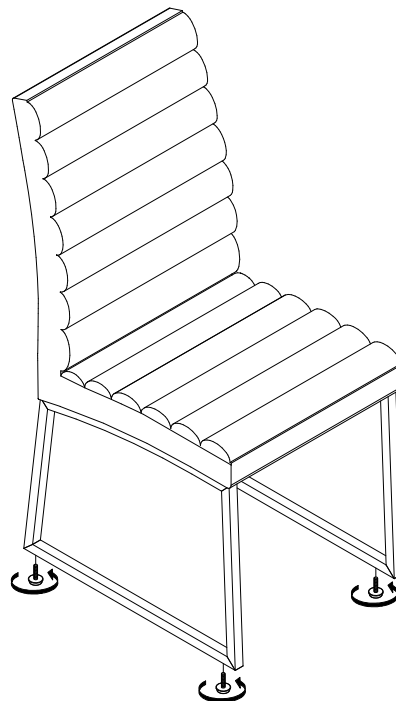
| Code | PARTS LIST: |   |     |
|------|-------------|---|-----|
| A    | Chair Bank  |  | 1Pc |
| B    | Metal Leg   |  | 1Pc |

| Step | Code | Hardware List                |   |      |
|------|------|------------------------------|---|------|
| 1    | C    | Allen Bolt - Ø5/16x18x38mm   |  | 4Pcs |
|      |      | Flat washer - Ø5/16x16x1.5mm |   | 4Pcs |
|      |      | Lock washer - Ø5/16          |   | 4Pcs |
| 1    | D    | Allen Key - 4mm              |  | 1Pc  |

### STEP 1



### STEP 2



Adjustable Leveler

MADE IN VIETNAM