



# Assembly Instruction Instructions d'assemblage

STOF

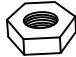




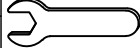


8105-550S

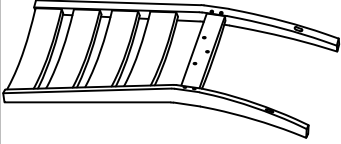
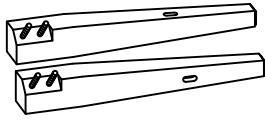
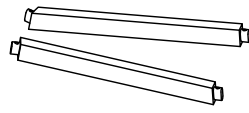
Ladder Back Side Chair

SKU# 42481058

Version 1 - 2024/09/06

**WARNING: To avoid alignment issue, please don't tighten the screws unless all legs are adjusted at the same level.**

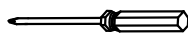
HARDWARE LIST / LISTE DE QUINCAILLERIE		QTY' / QTÉ
A	Hex-Nut Ø5/16"	 4 pcs 4 pièces
	Ecrou Hexagonal Ø5/16"	
B	Short Bolt φ1/4"-20 x 1-1/2"	 3 pcs 3 pièces
	Boulon Ø1/4"-20 x 1-1/2"	
C	Long Bolt φ1/4"-20 x 3-3/8"	 4 pcs 4 pièces
	Boulon Ø1/4"-20 x 3-3/8"	
D	Spring Washer Ø5/16" x Ø1/2" x 1/16"	 11 pcs 11 pièces
	Rondelle de ressort Ø5/16" x Ø1/2" x 1/16"	
E	Flat Washer Ø5/16" x Ø3/4" x 1/16"	 11 pcs 11 pièces
	Rondelle plate Ø5/16" x Ø3/4" x 1/16"	
F	Wrench 3" x 1/2"	 1 pc 1 pièce
	Clé 3" x 1/2"	
G	Allen Key 1/8"	 1 pc 1 pièce
	Clé Allen 1/8"	
H	Screw Ø8 x Ø4 x 2"	 4 pc 4 pièces
	Vis a bois Ø8 x Ø4 x 2"	

PART LIST/LISTE DE PIÈCES		QTY' / QTÉ
1	CHAIR BACK DOSSIER DE CHAISE	 1 PC 1 PIÈCE
	SEAT SIEGE	
2	FRONT LEG (LEFT - RIGHT)	 2 PCS 2 PIÈCES
	PIEDS AVANT (GAUCHE - DROIT)	
4	SIDE STRETCHER (LEFT - RIGHT)	 2 PCS 2 PIÈCES
	BARREAU (GAUCHE - DROIT)	



**TOOLS REQUIRED (NOT PROVIDED)**

Phillips Screwdriver



**Hardware Pack Location(s):**

STOF

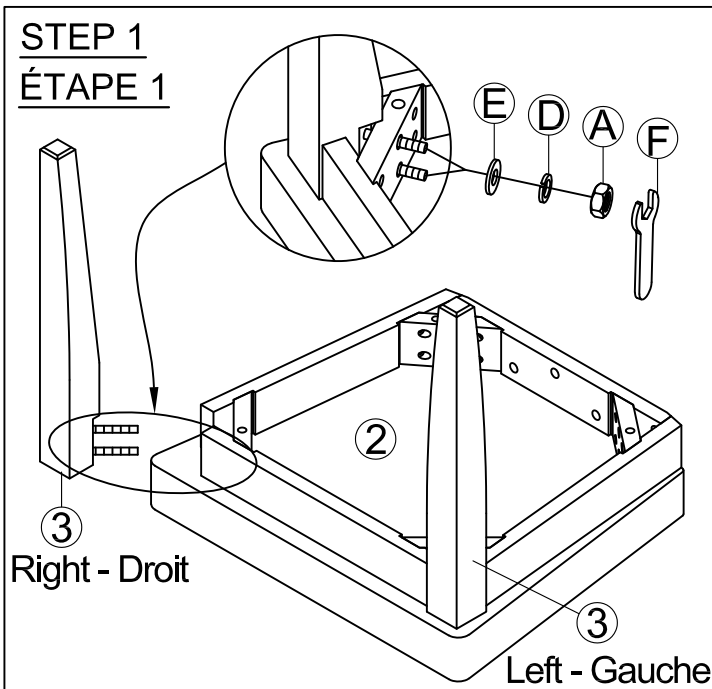
8105-550S

Ladder Back Side Chair

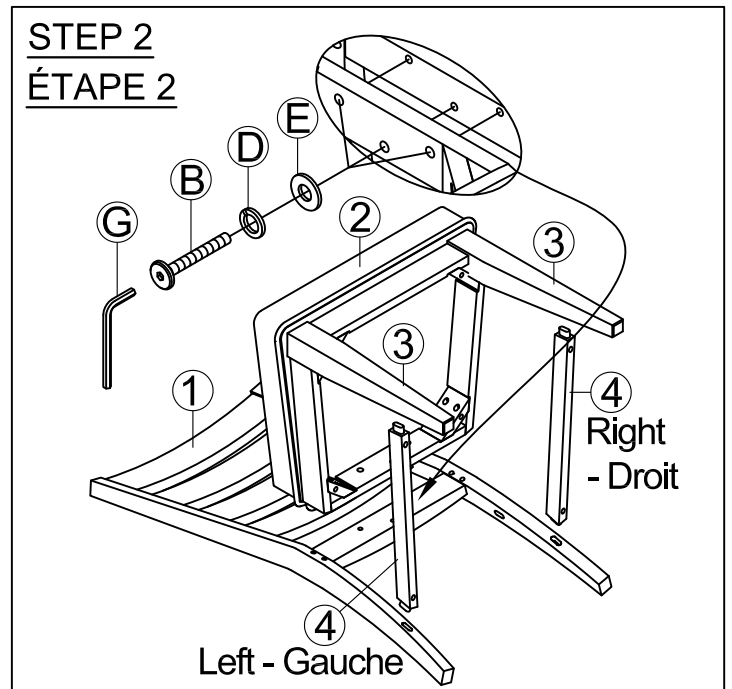
SKU# 42481058

\*\*\*Caution: Please read all instructions carefully before starting the assembly process. These parts are cumbersome and heavy. Therefore, two people are recommended in order to prevent personal injury and insure the parts are not damaged during the assembly.

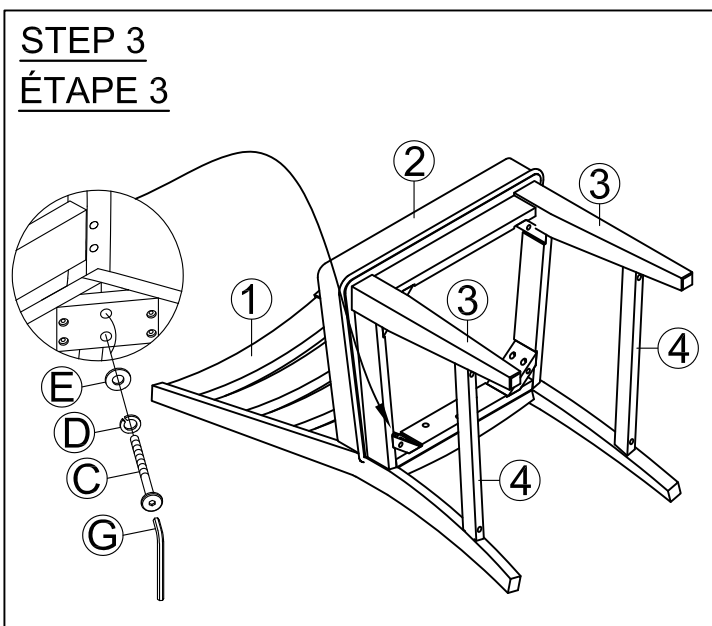
\*\*\*Avertissement: veuillez lire toutes les instructions attentivement avant de commencer l'assemblage. Ces pièces sont encombrantes et lourdes. Il est recommandé d'être deux personnes pour l'assemblage afin de prévenir des blessures et/ou risquer d'endommager les pièces.



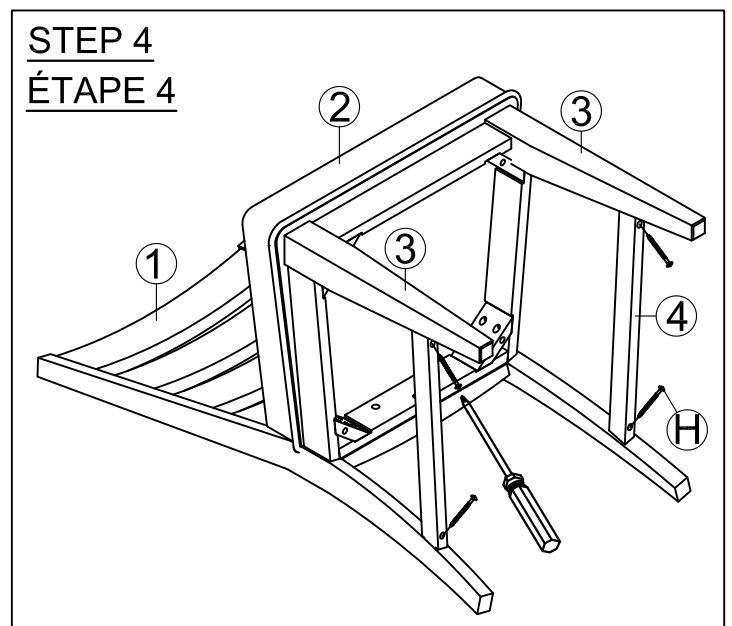
Attach the front legs to the seat frame.  
Note: Do not tighten all screws & bolts until the seat is fully assembly



Attach the seat frame & front legs, side stretcher to the chair back.



Screw the seat frame corner to the rear legs.



Attach the screw into the side stretchers