



ASSEMBLY INSTRUCTION

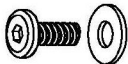

GLOB 8960-3 GREY SIDE CHAIR 42489600
 8960-4 CAMEL SIDE CHAIR 42689604
 8960-5 WHITE SIDE CHAIR 42789606

Thank you for purchasing this quality product. Be sure to check all packing material carefully for small parts, which may have come loose inside the carton during shipment. Identify and count all parts and compare with the **HARDWARE LIST** below.

Caution: Please read instructions thoroughly before unpacking assembly parts. Sharp, exposed staple tips can cause injury, therefore, for your protection, please remove any exposed staples used in packing.

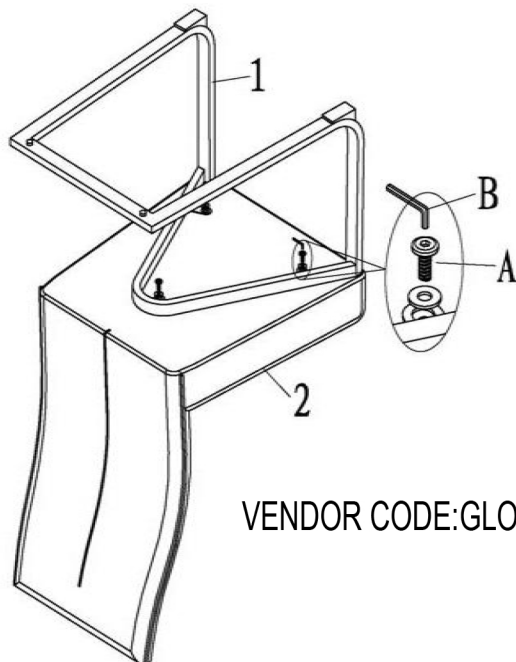
1. We recommend that you should assemble this product with the assistance of another person; this will make assembly easier, and will help to eliminate damage to the product or injury to persons during assembly.
2. Please do not over tighten screws or bolts until the assembly is completed.
3. Please put all parts on a non-abrasive floor before assembly, and follow the assembly steps to assemble your newly purchased product correctly and efficiently.

NO.	Parts list		Q' TY
1		Leg	1
2		Seat/Back cushion	1

NO.	Hardware List		Q' TY
A		Bolt M6 × 12 × 16mmL	3
		Flat washer $\phi 6 \times \phi 16 \times 1\text{mmT}$	3
B		Allen wrench (4#)	1

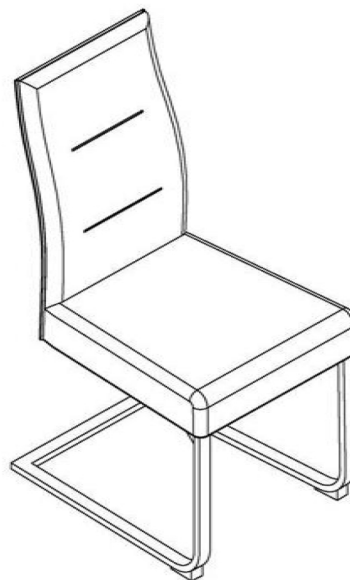
The specification of these hardware is made in metric system, do NOT assembly this chair with hardware in British/American Unit.

STEP 1 To assemble metal leg to Seat/Back cushion with hardware (A) by Allen wrench (B).



VENDOR CODE: GLOB

STEP 2



Assembly completed

Hardware Pack Location:
 Side Chair SKU# 42489600/42689604/42789606

1 OF 1
Made in China

This product is manufactured by (GLOB) for ROOMS TO GO