



# ASSEMBLY INSTRUCTIONS

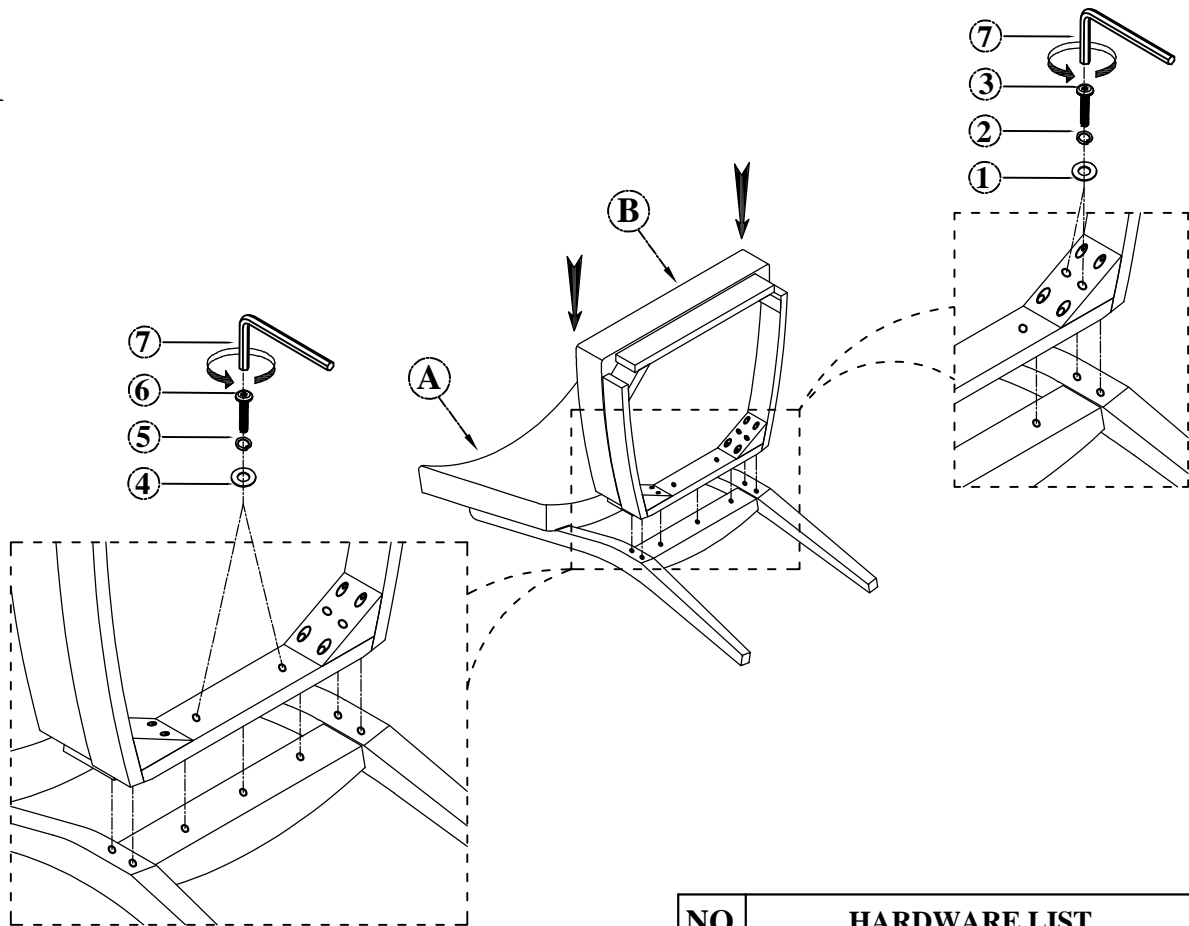
PHOM 375-632S Upholstered Side Chair SKU #42493750

Manufactured by PHOM for Rooms To Go Version 1 - Date Sept 15th, 2025

**Caution:** Please read the instructions thoroughly before unpacking and assembly. Sharp, exposed staple tips can cause injury. Therefore, for your protection, please remove any exposed staples used in the packaging.

1. We recommend that you should assemble this product with the assistance of another person; this will make assembly easier, and will help eliminate damage to the product or injury to persons during assembly.
2. Be sure to check all packing materials carefully for small parts that may have come loose inside the carton during shipment.
3. Please do not over tighten screws or bolts.
4. Please put all parts on a non-abrasive floor before assembly, and follow the assembly steps to assemble your newly purchased product correctly and efficiently.

## STEP 1



NO.	PART LIST	Q'TY
A	BACK FRAME	1 Pc
B	SEAT FRAME	1 Pc
C	RIGHT LEG	1 Pc
D	LEFT LEG	1 Pc
E	RIGHT STRETCHER	1 Pc
F	LEFT STRETCHER	1 Pc

NO.	HARDWARE LIST	Q'TY
1	Flat Washer Ø5/16" x 19 x 2mm	8 Pcs
2	Spring Washer Ø5/16" x 12mm	8 Pcs
3	Bolt Ø5/16" x 18 x 3"	8 Pcs
4	Flat Washer Ø1/4" x 19 x 2mm	2 Pcs
5	Spring Washer Ø1/4" x 10mm	2 Pcs
6	Bolt Ø1/4" x 20 x 1-3/4"	2 Pcs
7	Allen Key #4 x 3-1/8"	1 Pc
8	Screws #4 x 1-3/4"	4 Pcs

Hardware Pack Location (s):  
375-632S Upholstered Side Chair SKU #42493750

Made in Viet Nam

01 OF 02



# ASSEMBLY INSTRUCTIONS

PHOM 375-632S Upholstered Side Chair SKU #42493750

Manufactured by PHOM for Rooms To Go Version 1 - Date Sept 15th, 2025

**Caution:** Please read the instructions thoroughly before unpacking and assembly. Sharp, exposed staple tips can cause injury. Therefore, for your protection, please remove any exposed staples used in the packaging.

1. We recommend that you should assemble this product with the assistance of another person; this will make assembly easier, and will help eliminate damage to the product or injury to persons during assembly.
2. Be sure to check all packing materials carefully for small parts that may have come loose inside the carton during shipment.
3. Please do not over tighten screws or bolts.
4. Please put all parts on a non-abrasive floor before assembly, and follow the assembly steps to assemble your newly purchased product correctly and efficiently.

