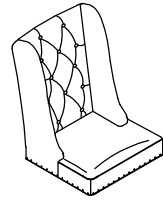


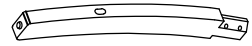
**This product is manufactured by PNWD for Rooms To Go**

Step	Code	Hardware	Q'TY
	A	Allen key 4mm dia.	1 Pc
1	B	Bolt 5/16" x 18 x 2 1/8"	4 Pcs
		Spring Washer 5/16" x 19 x 2mmT	
		Flat Washer 5/16" x 11 x 2mmT	
2	C	Wood Screws 5/32" x 1 3/4"	2 Pcs
3	B	Bolt 5/16" x 18 x 2 1/8"	4 Pcs
		Spring Washer 5/16" x 19 x 2mmT	
		Flat Washer 5/16" x 11 x 2mmT	
	C	Wood Screws 5/32" x 1 3/4"	2 Pcs

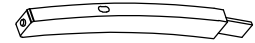
**PARTS LIST**



1. Seat Frame With Back - 1 Pc



2. Left Back Legs - 1 Pc



3. Right Back Legs - 1 Pc



4. Left Front Legs - 1 Pc



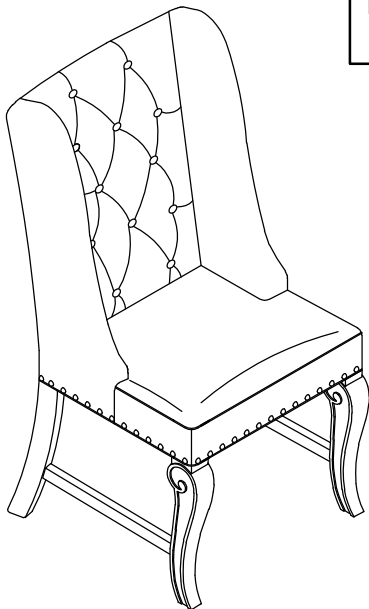
5. Right Front Legs - 1 Pc



6. Left Side Stretchers - 1 Pc



7. Right Side Stretchers - 1 Pc



Tool Required: Phillips screwdriver  
(not provided)

**HARDWARE PACK FOR 2 PCS HOST CHAIR LOCATION(S):**

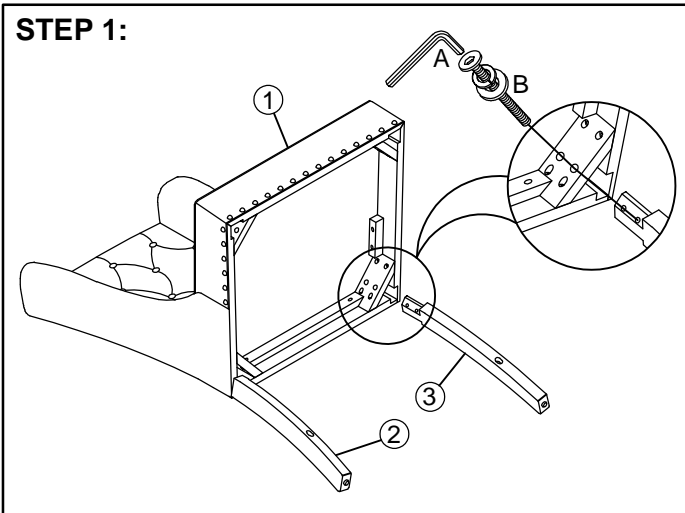
PNWD 1733- HC HOST CHAIR

SKU# 42517334

**This product is manufactured by PNWD for Rooms To Go**

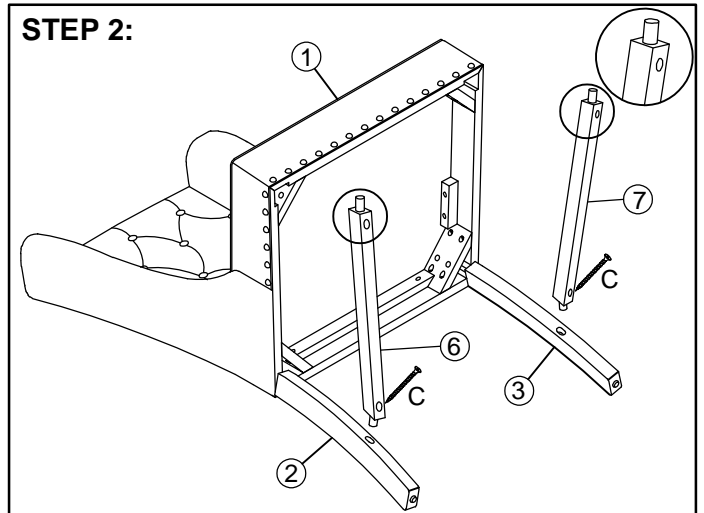
\*\*\*Cautions: Please read all instructions carefully before starting the assembly process. These parts are cumbersome and heavy. Therefore, two people are recommended in order to prevent personal injury and ensure the parts are not damaged during the assembly.

**STEP 1:**



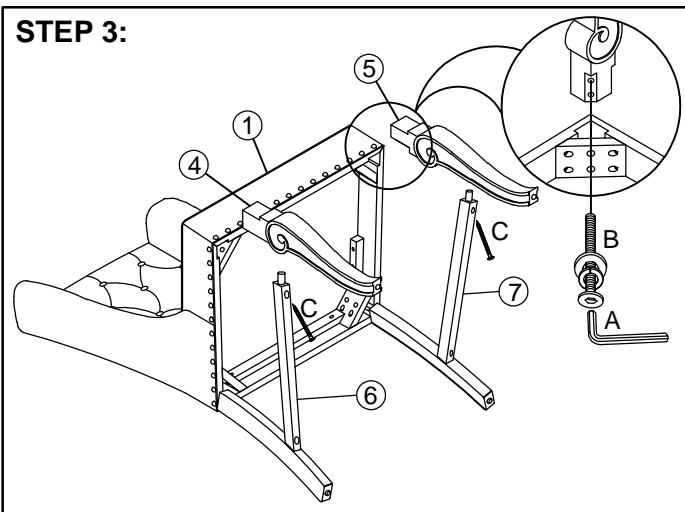
Attach the back legs to the seat frame with back  
Note: Do not tighten all screws & bolts until the seat  
is fully assembled.

**STEP 2:**



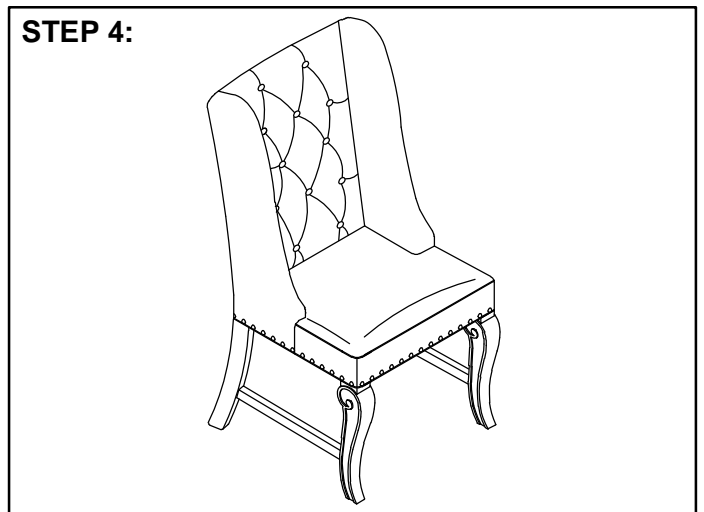
Attach the side stretchers to the back legs.

**STEP 3:**



Attach the front legs to side stretcher and seat.  
Secure the side stretchers to the front legs.

**STEP 4:**



Turn host chair to the upright position, apply firm  
pressure to align and fully tighten all bolts and screws.