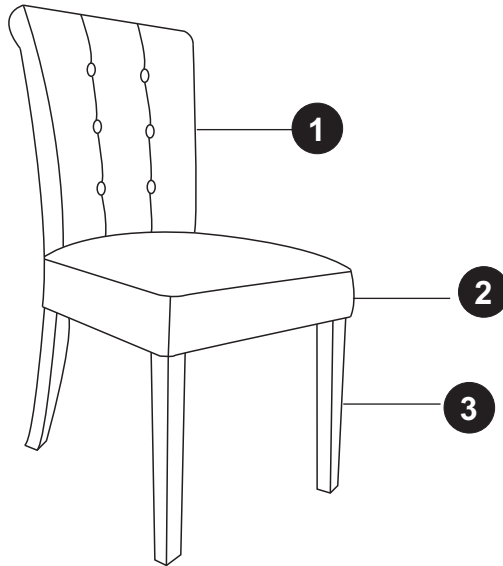












# ASSEMBLY INSTRUCTION

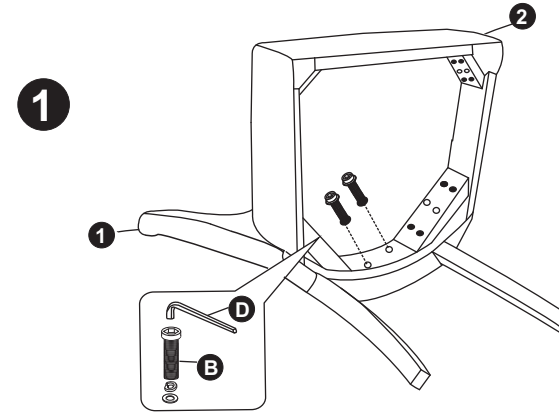
ROOMS  
TO GO ►

TEAE 1991-1, 1991-2, 1991-3, 1991-4 SIDE CHAIR  
SKU #42419918, 42519910, 42619912, 42719914

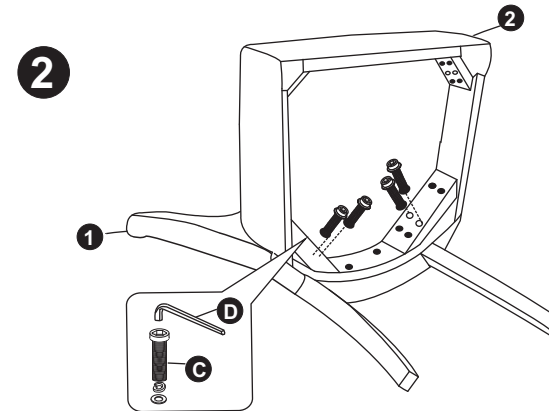
PARTS LIST	CODE	PARTS	QTY.
	1	BACK	1
	2	SEAT	1
	3	FRONT LEG	2



HARDWARE LIST	CODE	HARDWARE	QTY.
	A	M8x2- $\frac{3}{8}$ "   	4
	B	M8x2"   	2
	C	M8x3- $\frac{1}{8}$ "   	4
	D	ALLEN KEY M6 	1

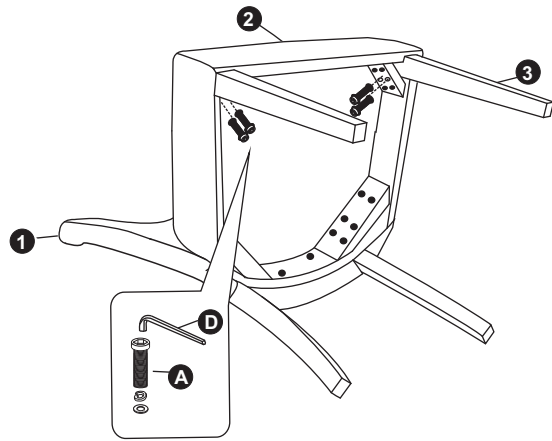


Insert the screws in the holes, then tighten, to 90%.



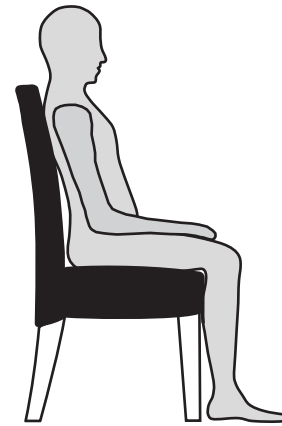
Insert the screws in the holes, then tighten, to 90%.

3



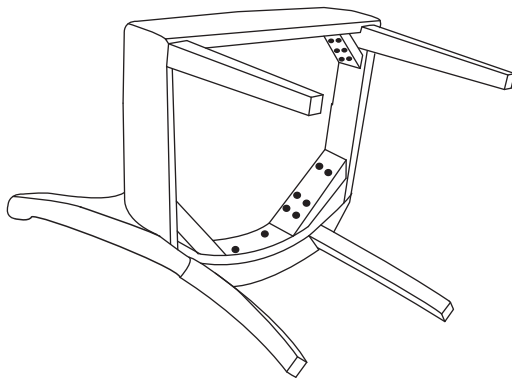
Insert the screws in the holes,  
then tighten, to 90%.

4



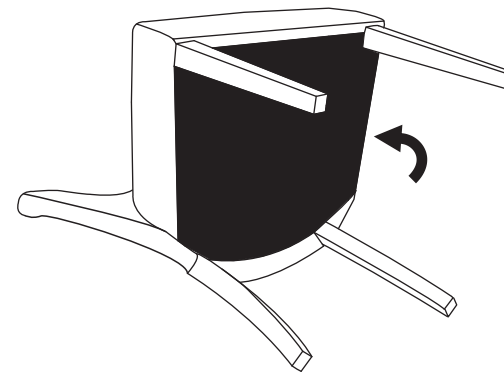
Sit on the chair and adjust the balance.

5



Fully tighten all the screws.

6



Stick non-woven fabric on the seat