

ASSEMBLY INSTRUCTIONS

HILB

5449-890

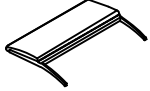
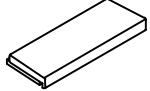


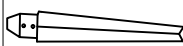
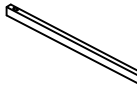
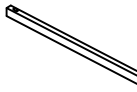
BENCH - SKU : 42554495

5449-890B




BENCH - SKU : 42554508

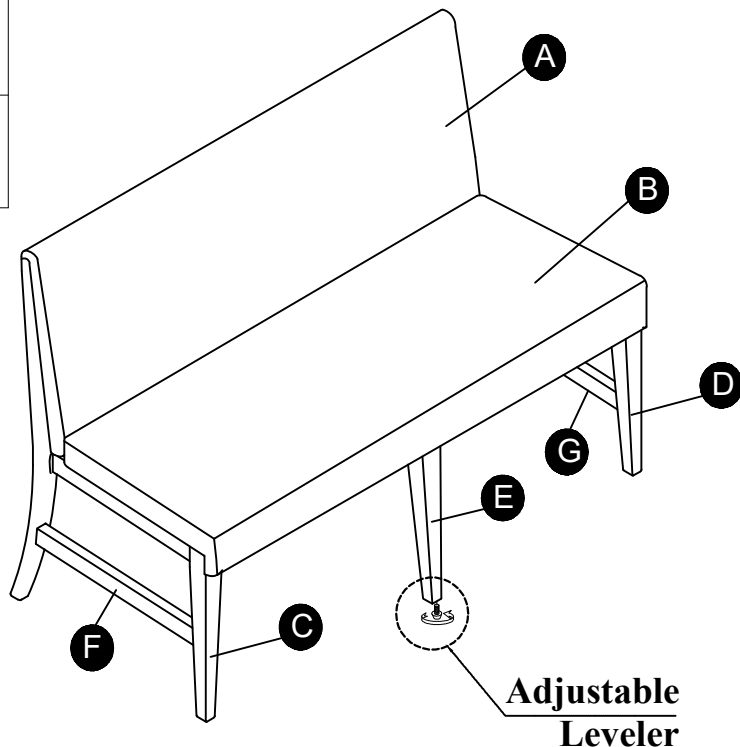
Thank you for purchasing this quality product. Be sure to check all packing materials carefully for small parts which may have come loose inside the carton during shipment. Identify and count all parts and compare with the parts list below.

COMPONENT LIST

NO.	Description	Sketch	Q'TY
A	Back Rest		1pc
B	Seat Cushion		1pc
C	Front Leg - L		1pc
D	Front Leg - R		1pc
E	Middle Front Leg		1pc
F	Stretcher - L		1pc
G	Stretcher - R		1pc

HARDWARE LIST

NO.	Picture	Description	Dimension	Q'TY
1		Allen Key	4mm	1 pc
2		Screw	Ø4 x 45mm	4 pcs
3		Tool Required(not provided)		



Hardware pack locations

5449-890

BENCH - SKU : 42554495

5449-890B

BENCH - SKU : 42554508

PARTS DETAILS

This product is manufactured by HILB for **ROOMS TO GO** 

ASSEMBLY INSTRUCTIONS

HILB

5449-890

BENCH - SKU : 42554495

5449-890B

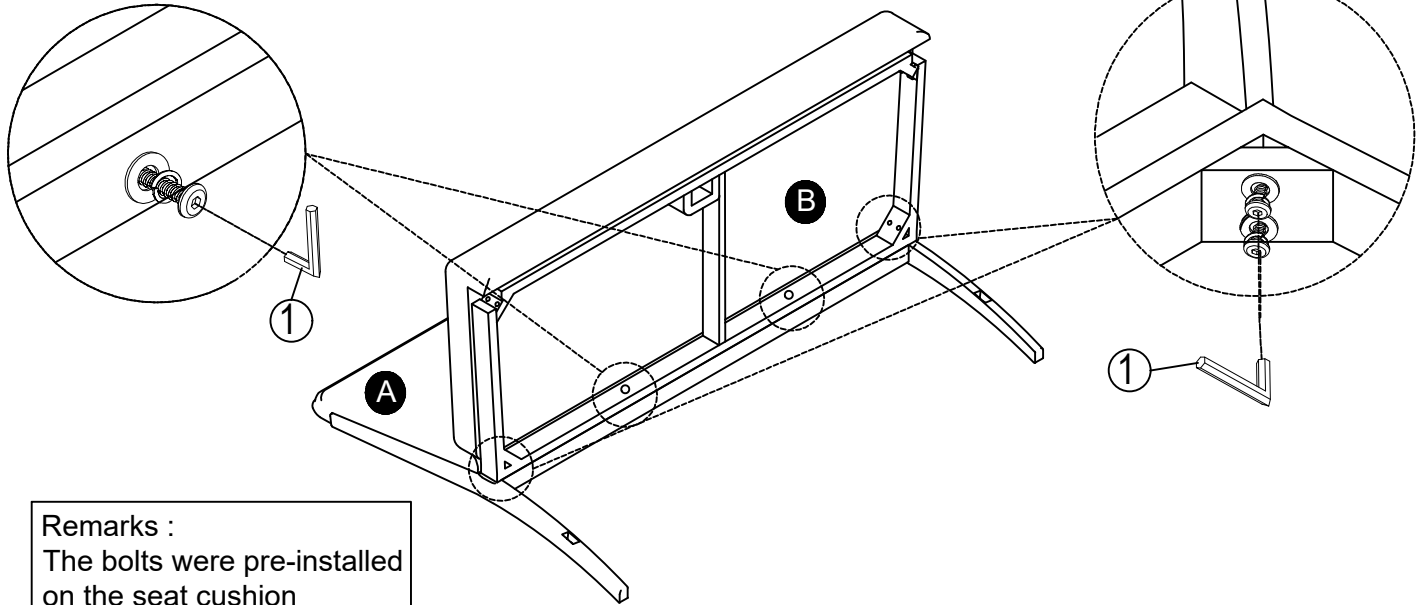
BENCH - SKU : 42554508

STEP 1: Attach the Seat Cushion (B) to Back Rest (A), and secure with flat washers, lock washers and bolts using allen key(1). Do not tighten all the bolts until the assembly is completed

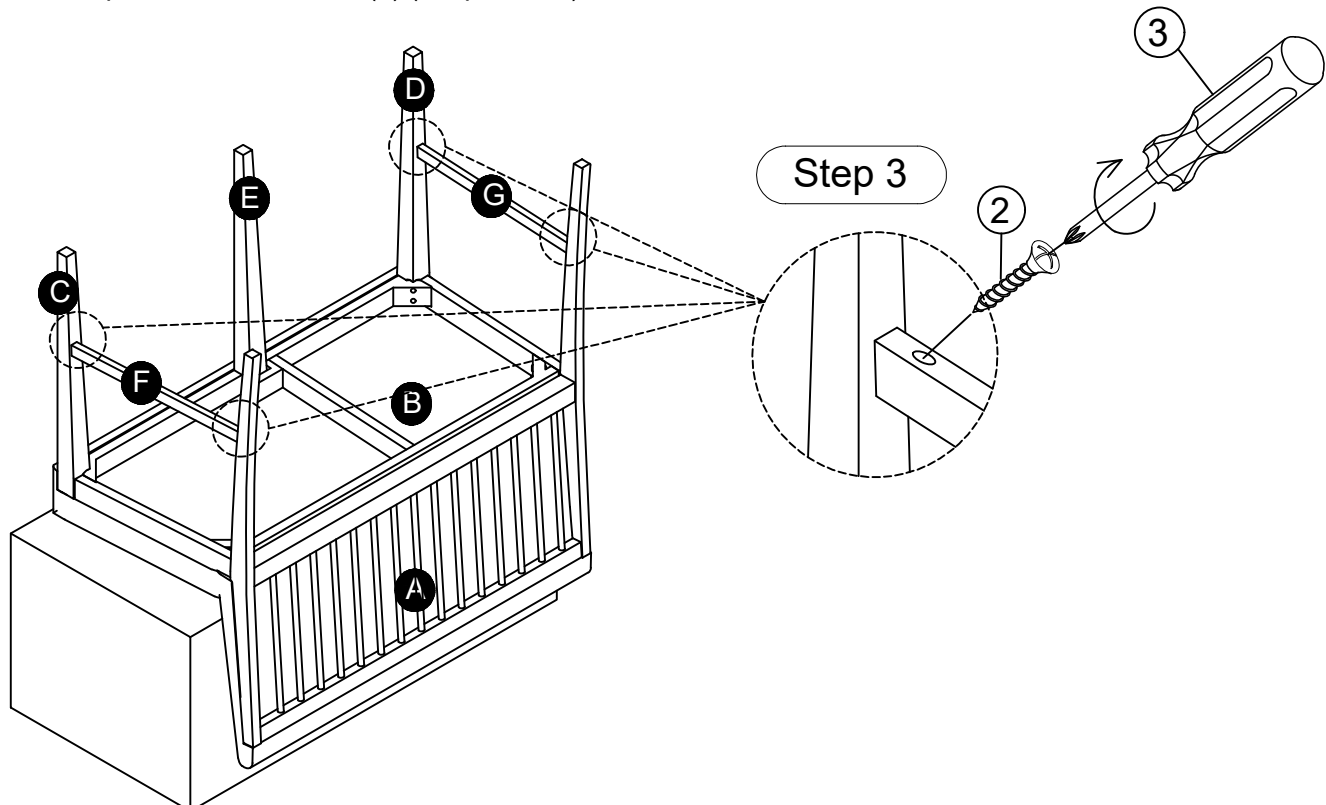
STEP 2: Attach the Seat Cushion (B) to Back Rest (A), and secure with flat washers, lock washers and bolts using allen key(1). Do not tighten all the bolts until the assembly is completed

Step 2

Step 1



STEP 3: Attach Stretcher - L (F) and Stretcher - R (G) in the coordinating positions shown below with Screws (2). Use a Phillips-Head screwdriver (3) (not provided).



This product is manufactured by HILB for

ROOMS TO GO 

ASSEMBLY INSTRUCTIONS

HILB

5449-890

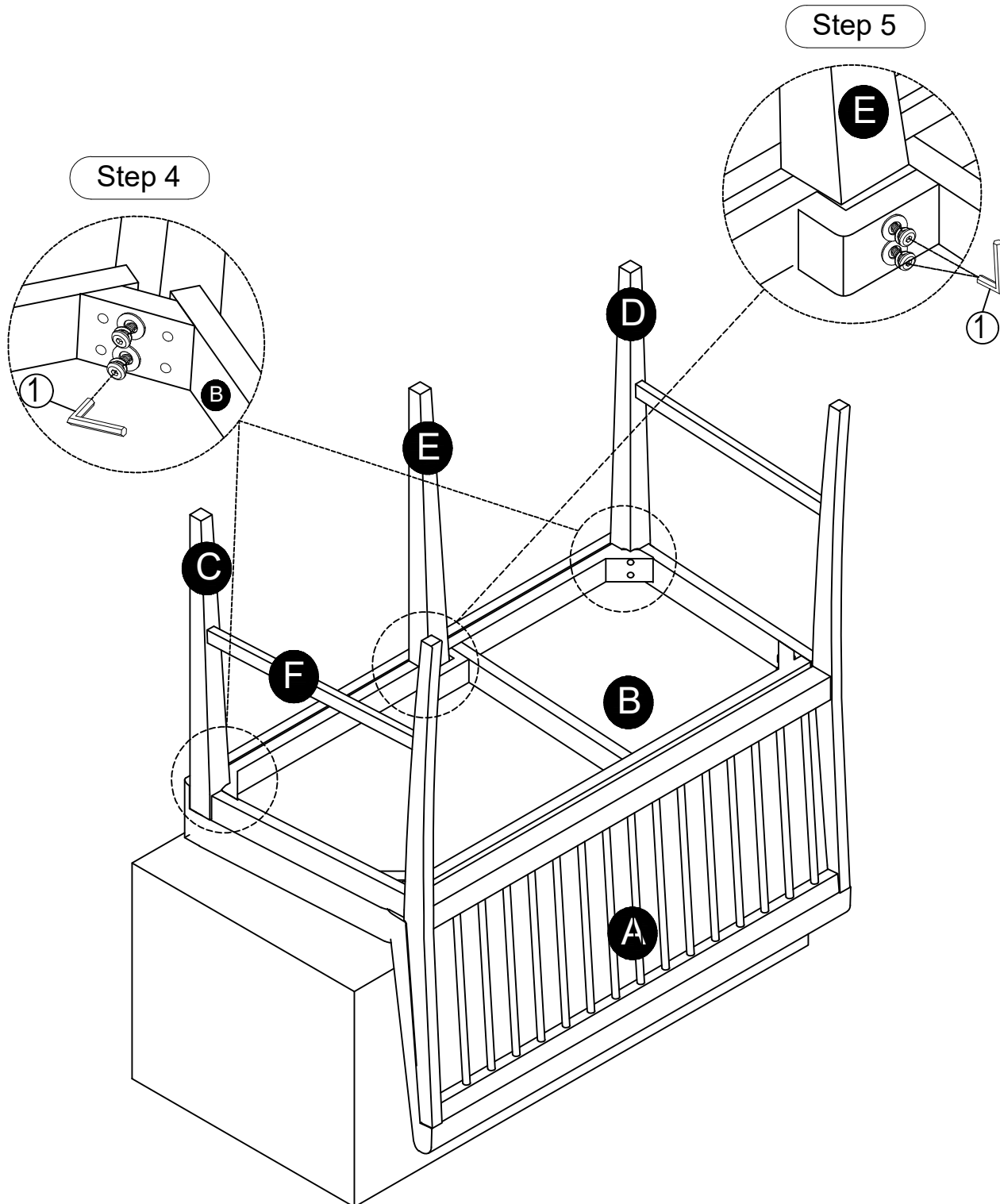
BENCH - SKU : 42554495

5449-890B

BENCH - SKU : 42554508

STEP 4: Attach the Front legs - L (C) and the Front legs - R (D) to Seat Cushion (B), and secure with flat washers, lock washers and bolts using allen key(1). Tighten all the bolts

STEP 5: Attach the Middle Front legs (E) to Seat Cushion (B), and secure with flat washers, lock washers and bolts using allen key(1). Tighten all the bolts



This product is manufactured by HILB for

ROOMS TO GO 