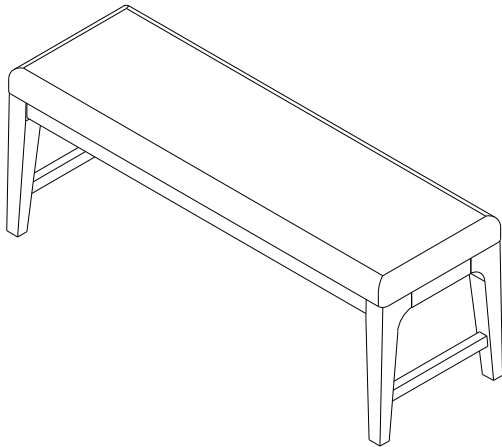
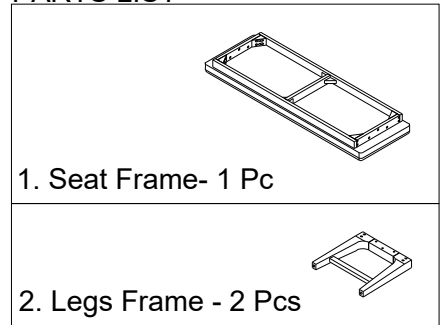
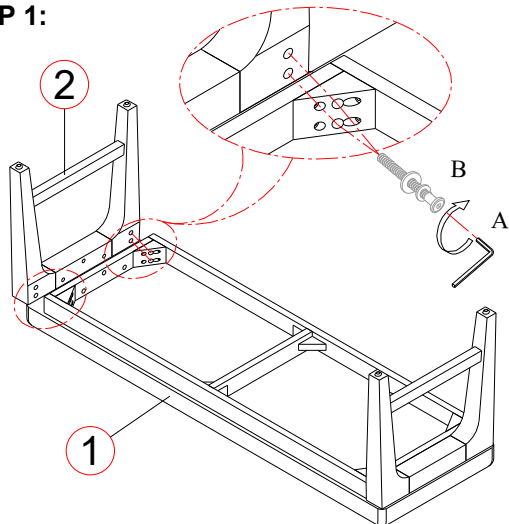


**PARTS LIST**

Step	Code	Hardware	Q'TY
	A	Allen key 4mm dia.	1 Pc
1	B	Bolt 5/16" -18 x 3 "	8 Pcs
		Flat Washer 5/16" x 19 x 1.5mm	8 Pcs
		Spring Washer 5/16" x 13 x 1.2mm	8 Pcs
2	C	Bolts 1/4"-20 x 1-3/4 "	6 Pcs
		Flat Washer 5/16" x 19 x 1.5mm	6 Pcs
		Spring Washer 5/16" x 13 x 1.2mm	6 Pcs

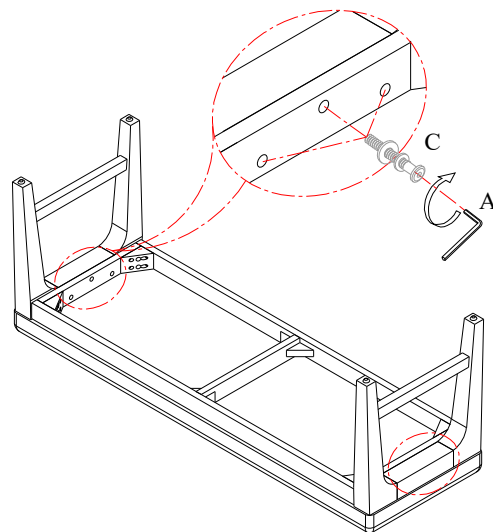


**STEP 1:**



**Do not tighten all the bolts until the assembly is completed.**

**STEP 2:**



**Hardware Pack Locations:**

5880-68 Uph bench backless,SKU# 42558809