


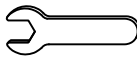


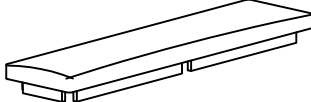
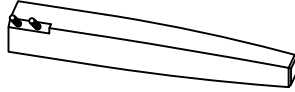
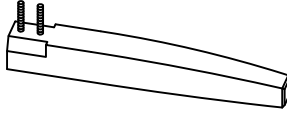
Assembly Instruction Instructions d'assemblage

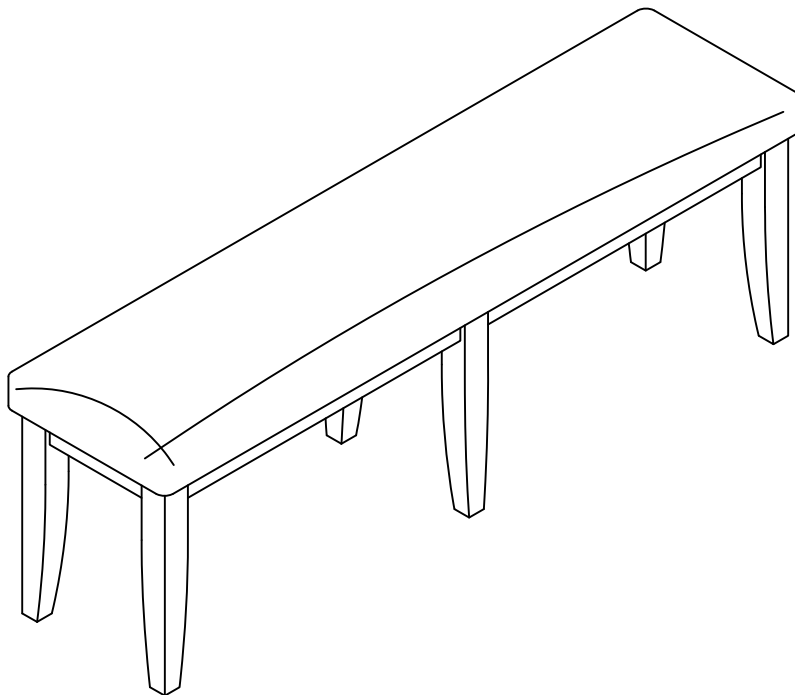
HOUS 3592-B DINING BENCH

SKU# 42535926

WARNING: To avoid alignment issue, please don't tighten the screws unless all legs are adjusted at the same level.

| HARDWARE LIST / LISTE DE QUINCAILLERIE | | | QTY'/ QTÉ |
|---|---|---|-----------|
| A | Hex-Nut Ø5/16" |  | 12 PCS |
| | Ecrou Hexagonal Ø5/16" | | 12 PIÈCES |
| B | Spring Washer Ø5/16" x Ø1/2" x 1/16" |  | 12 PCS |
| | Rondelle de ressort Ø5/16" x Ø1/2" x 1/16" | | 12 PIÈCES |
| C | Flat Washer Ø5/16" x Ø3/4" x 1/16" |  | 12 PCS |
| | Rondelle plate Ø5/16" x Ø3/4" x 1/16" | | 12 PIÈCES |
| D | Wrench 3" x 1/2" |  | 1 PC |
| | Clé 3" x 1/2" | | 1 PIÈCE |

| PART LIST/LISTE DE PIÈCES | | QTY'/ QTÉ |
|---------------------------|---|-------------------|
| 1 | SEAT SIEGE | 1 PC 1 PIÈCE |
| |  | |
| 2 | CHAIR LEGS PIEDS | 4 PCS 4 PIÈCES |
| |  | |
| 3 | CENTER LEGS CENTER PIEDS | 2 PCS 2 PIÈCES |
| |  | |



ASSEMBLY COMPLETED

Hardware Pack Location(s):

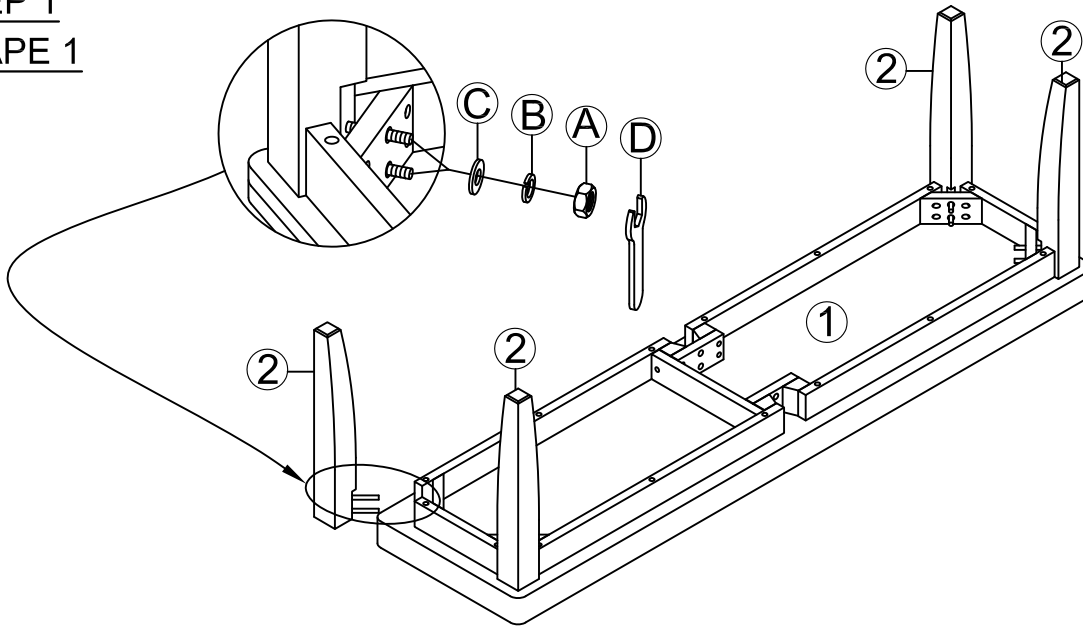
3592-B DINING BENCH

SKU# 42535926

***Caution: Please read all instructions carefully before starting the assembly process. These parts are cumbersome and heavy. Therefore, two people are recommended in order to prevent personal injury and insure the parts are not damaged during the assembly.

***Avertissement: veuillez lire toutes les instructions attentivement avant de commencer l'assemblage. Ces pièces sont encombrantes et lourdes. Il est recommandé d'être deux personnes pour l'assemblage afin de prévenir des blessures et/ou risquer d'endommager les pièces.

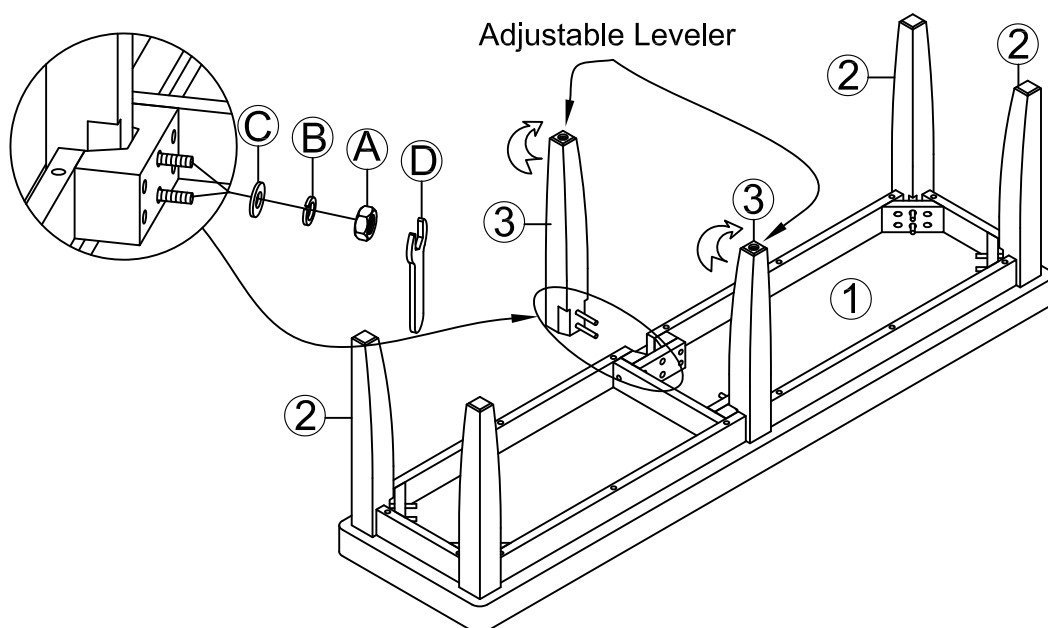
STEP 1 ÉTAPE 1



Attach the front legs to the seat frame.

Note: Do not tighten all screws & bolts until the seat is fully assembly

STEP 2 ÉTAPE 2



Attach the center legs to the seat frame.