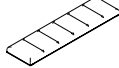





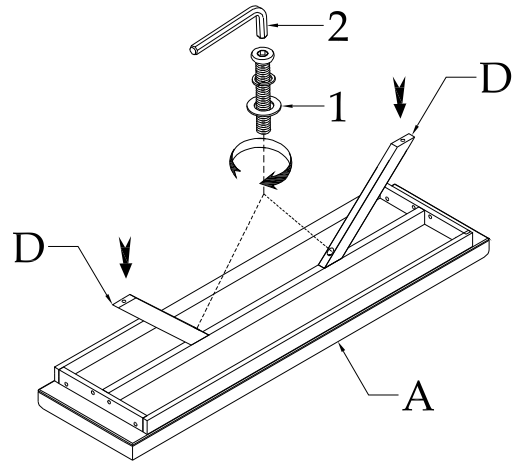


THANK YOU FOR PURCHASING THIS QUALITY PRODUCT. BE SURE TO CHECK ALL PACKING MATERIALS CAREFULLY FOR SMALL HARDWARE WHICH MAY HAVE COME LOOSE INSIDE THE CARTON DURING SHIPMENT. IDENTIFY AND COUNT ALL HARDWARE AND COMPARE WITH THE HARDWARE LIST BELOW.

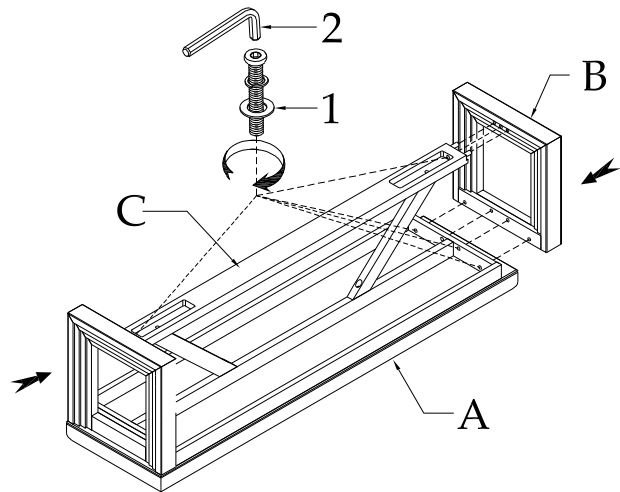
PARTS LIST :			
No.	Description	Sketch	Q' TY
A	Table Top		1
B	Leg		2
C	Long Stretcher		1
D	Short Stretcher		2

HARDWARE LIST :			
NO.	HARDWARE LIST		Q' TY
1		Bolt Flat washer Lock washer	14
2		Allen Key	1

Step 1 : Do not fully tighten all bolts

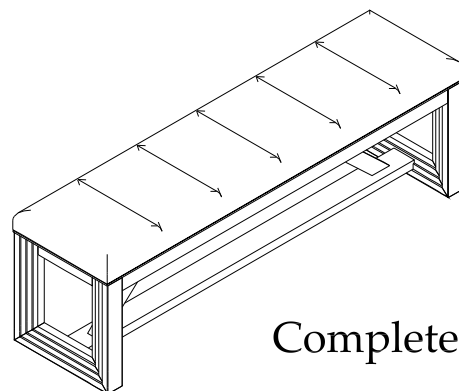
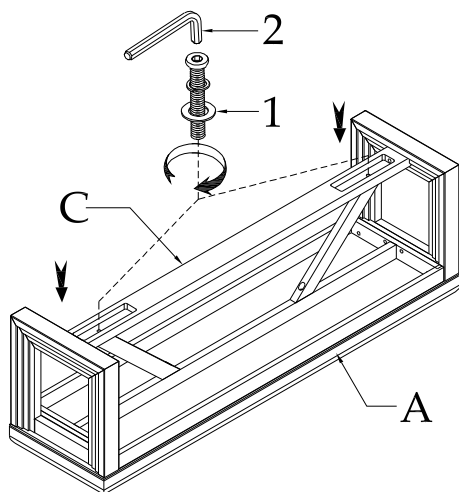


Step 2 : Do not fully tighten all bolts



Step 3

Using the Allen Key tighten all bolts



Hardware Pack Location:

Inside Box: 68950 UPH DINING BENCH 1 IN

SKU: 42568901