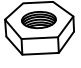


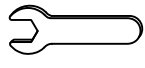
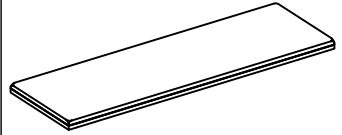
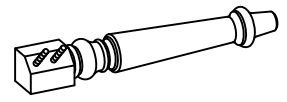
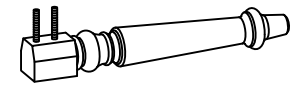


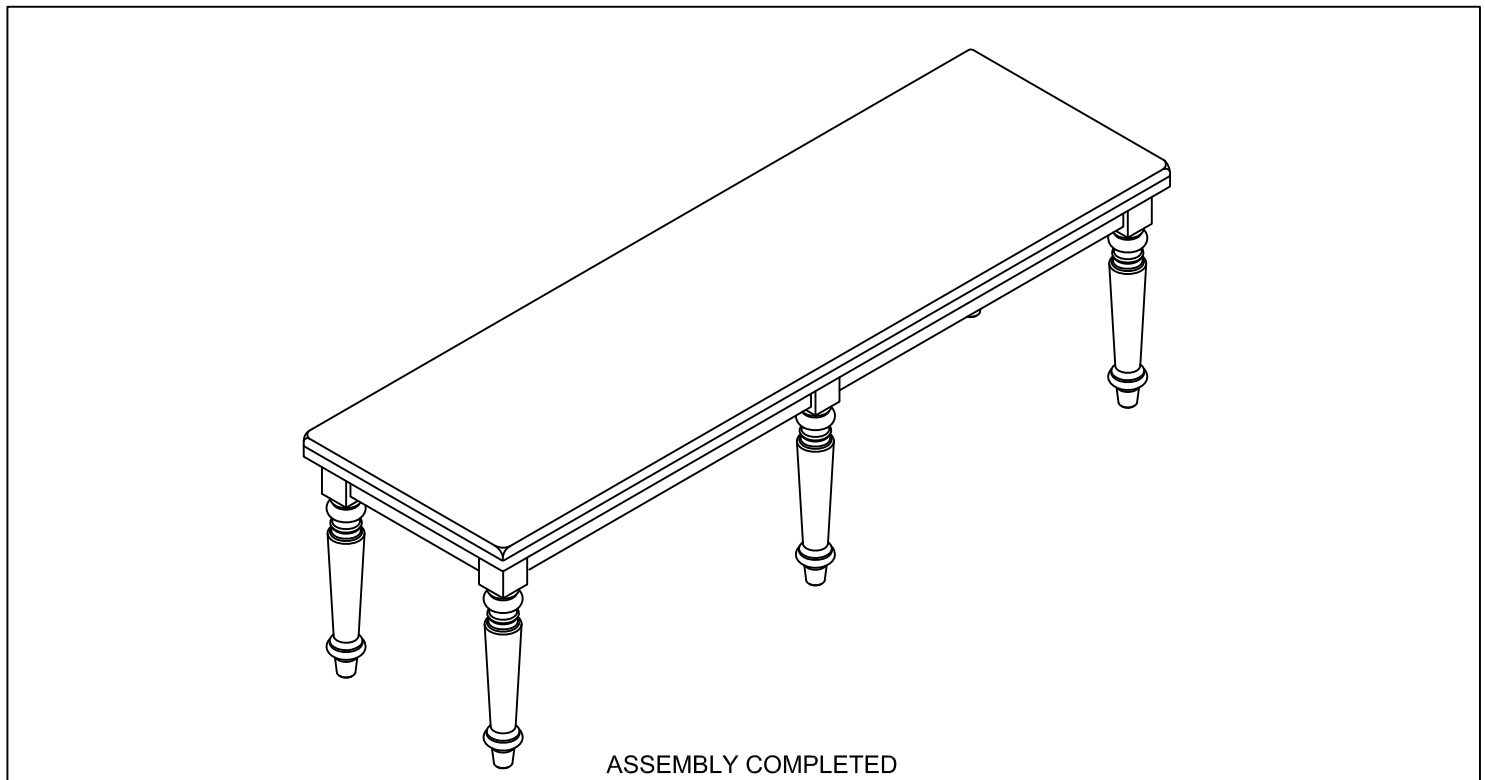
# Assembly Instruction Instructions d'assemblage

HOUS 9108-511 TURNING LEG DINING BENCH  
 HOUS 9109-512 TURNING LEG DINING BENCH  
 HOUS 9110-513 TURNING LEG DINING BENCH

SKU# 42591087  
 SKU# 42591099  
 SKU# 42591102

Step	Code	Hardware	Q'TY
1	A	Hex-Nut Ø5/16" Ecrou Hexagonal Ø5/16"	12 Pcs 12 Pièces
			
1	B	Spring Washer Ø5/16" x Ø1/2" x 1/16" Rondelle de ressort Ø5/16" x Ø1/2" x 1/16"	12 Pcs 12 Pièces
			
1	C	Flat Washer Ø5/16" x Ø3/4" x 1/16" Rondelle plate Ø5/16" x Ø3/4" x 1/16"	12 Pcs 12 Pièces
			
	D	Wrench 3" x 1/2" Clé 3" x 1/2"	1 Pc 1 Pièce
			

	PART LIST	QTY'
1	SEAT SIEGE 	1 PC 1 PIÈCE
2	CHAIR LEGS PIEDS 	4 PCS 4 PIÈCES
3	CENTER LEGS CENTER PIEDS 	2 PCS 2 PIÈCES



**Hardware Pack Location(s):**

TURNING LEG DINING BENCH, SKU# 42591087  
 TURNING LEG DINING BENCH, SKU# 42591099  
 TURNING LEG DINING BENCH, SKU# 42591102

# Assembly Instruction Instructions d'assemblage

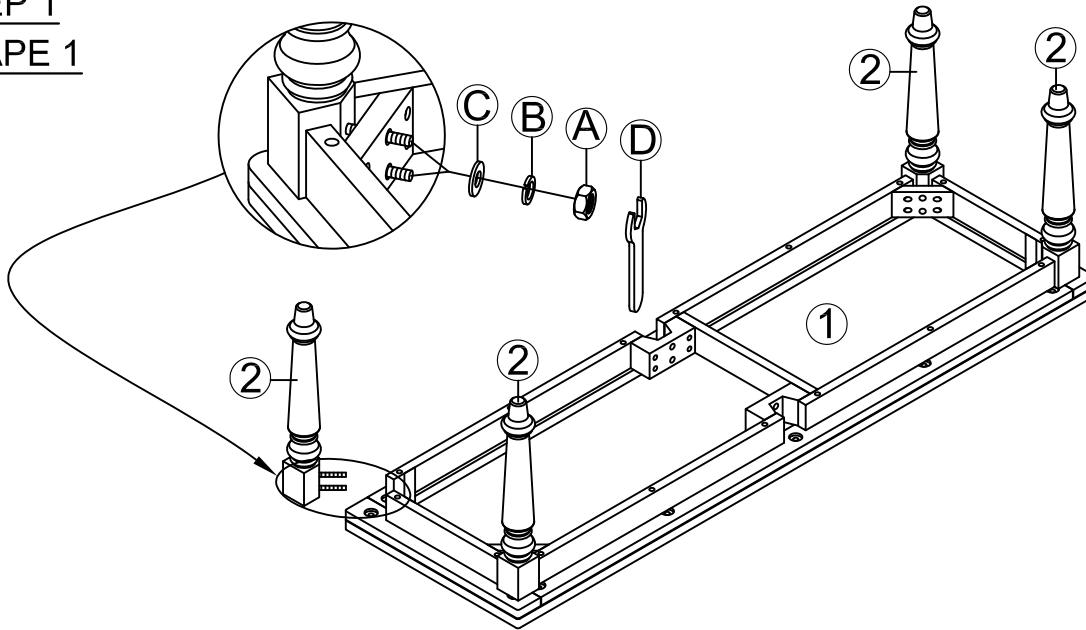
HOUS 9108-511 TURNING LEG DINING BENCH  
HOUS 9109-512 TURNING LEG DINING BENCH  
HOUS 9110-513 TURNING LEG DINING BENCH

SKU# 42591087  
SKU# 42591099  
SKU# 42591102

\*\*\*Caution: Please read all instructions carefully before starting the assembly process. These parts are cumbersome and heavy. Therefore, two people are recommended in order to prevent personal injury and insure the parts are not damaged during the assembly.

\*\*\*Avertissement: veuillez lire toutes les instructions attentivement avant de commencer l'assemblage. Ces pièces sont encombrantes et lourdes. Il est recommandé d'être deux personnes pour l'assemblage afin de prévenir des blessures et/ou risquer d'endommager les pièces.

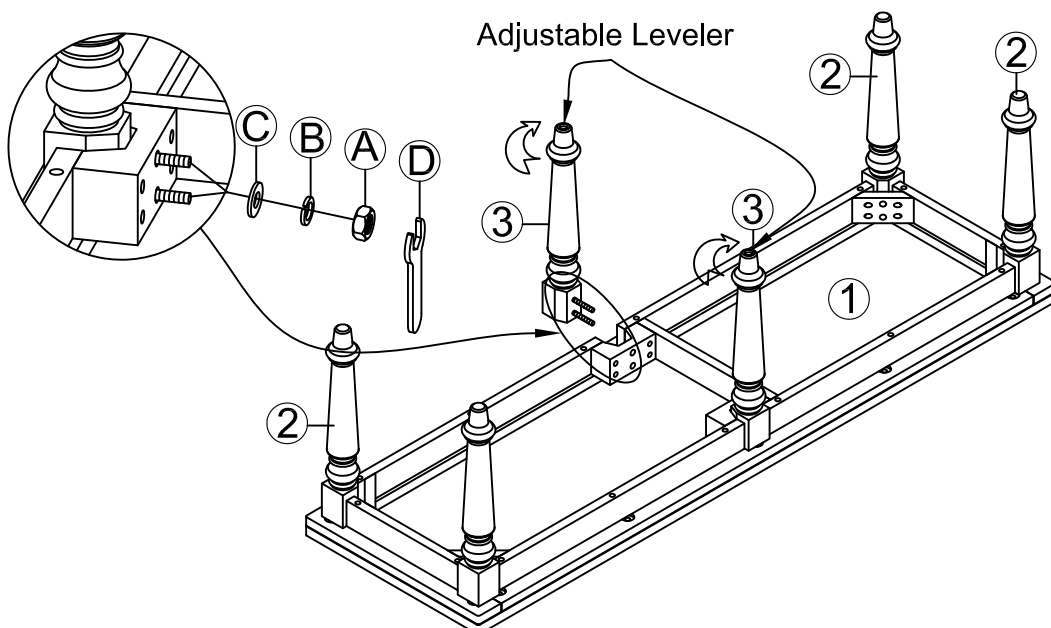
## STEP 1 ÉTAPE 1



Attach the front legs to the seat frame.

Note: Do not tighten all screws & bolts until the seat is fully assembly

## STEP 2 ÉTAPE 2



Attach the center legs to the seat frame.