

Assembly Instructions

NAJA 9967-5 BENCH SKU#42599677

Thank you for purchasing this quality product. Be sure to check all packing materials carefully for small parts, which may have come loose inside the carton during shipment. Identify and count all parts and compare with the HARDWARE LIST below.

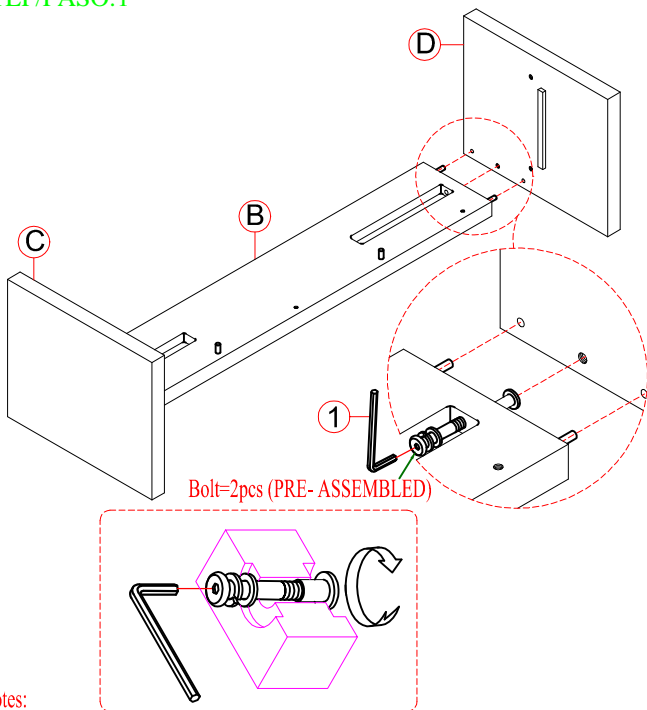
Caution: Please read instructions thoroughly before unpacking assembly parts.

1. We recommend that you assemble this product with the assistance of another person; this will make assembly easier, and will help to eliminate damage to the product or injury to persons during assembly.
2. Please put all parts on a non-abrasive floor before assembly, and follow the assembly steps to assemble your newly purchased product correctly and efficiently.
3. Do not tighten all bolts until the assembly is completed.

NO.	HARDWARE LIST	Q' TY
1	Allen Key (L57 * 4mm)	1

NO.	PARTS LIST	Q' TY
A	Seat Frame	1
B	Stretcher	1
C	Left Side Frame	1
D	Right Side Frame	1

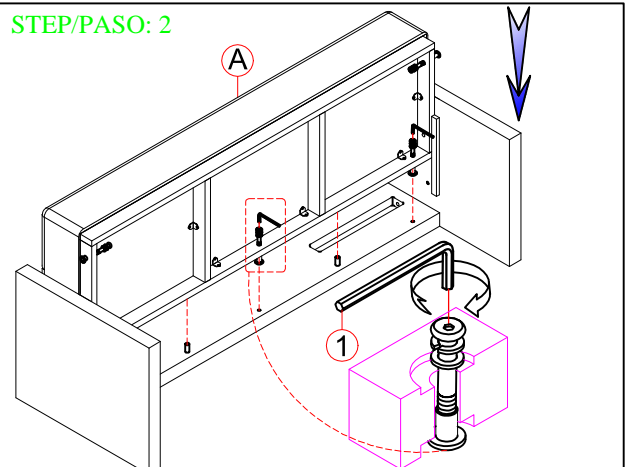
STEP/PASO: 1



Notes:

- .. The bolts were pre-assembled on the stretcher.
- .. Wood dowel (6pcs) were pre-assembled on the stretcher.

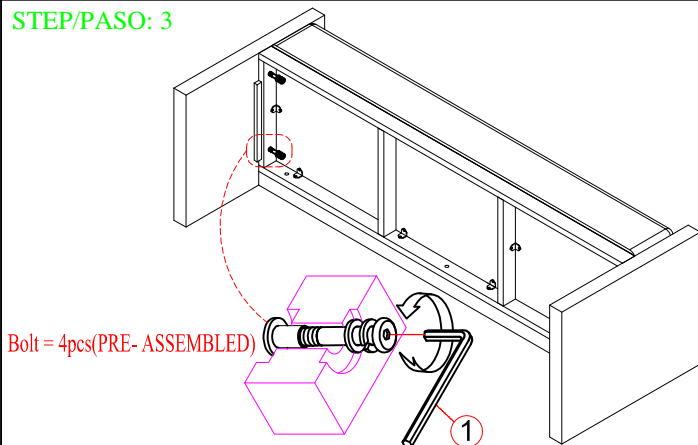
STEP/PASO: 2



Notes: The bolts were pre-assembled on the seat frame's long side.

Assemble side frame with the stretcher

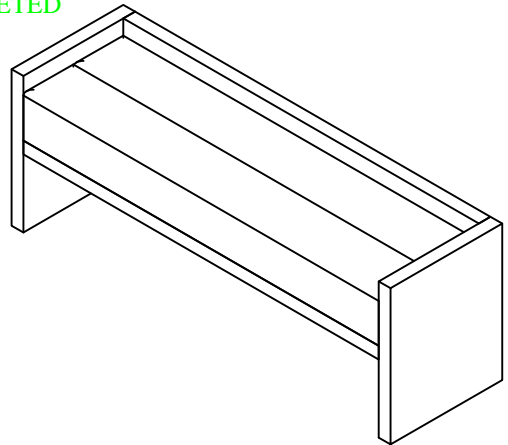
STEP/PASO: 3



Notes: The bolts were pre-assembled on the seat frame's short side.

Assemble seat frame with the stretcher and side frame

COMPLETED



Assemble seat frame with the stretcher and side frame

Hardware pack Location(s): NAJA 9967-5 BENCH SKU#42599677

Assembly completed
MADE IN VIETNAM

This product is manufactured by NAJA for ROOMS TO GO ▶

Page 1 of 1