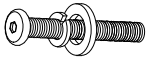

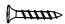



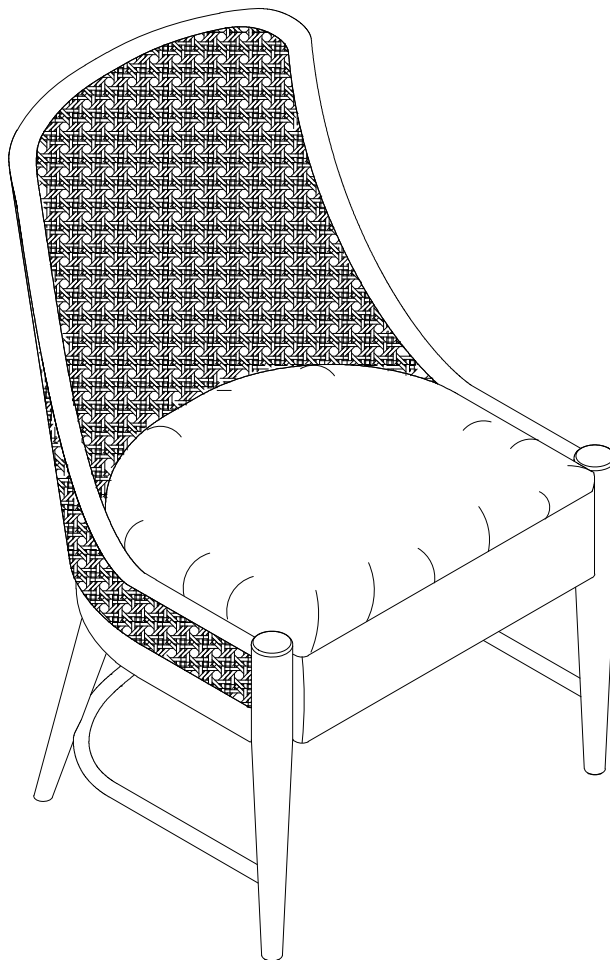
Assembly Instructions

BFGP 339-512N

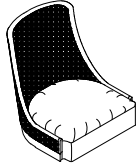
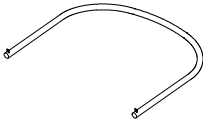
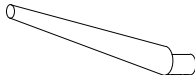



CANE BACK CHAIR

SKU# 42603399

STEP	CODE	HARDWARE		Q'TY
1,3	A		Jcbc bolt 5/16"-18 * 2-3/4"	8PCS
			Lock washer 5/16"	8PCS
			Flat washer 5/16"x19mm*1mm	8PCS
2	B		Jcbc bolt 1/4"-20 * 1-1/4"	2PCS
3	C		Screw (Ø8*3/4")	2PCS
	D		Allen key 4mm	1PC



PART LISTS


1. Chair seat - 1 PC

2. Metal Stretcher - 1 PC

3. Back leg (L) - 1 PC

4. Back leg (R) - 1 PC

5. Front leg (L) - 1 PC

6. Front leg (R) - 1 PC

Hardware Pack Location(s):

BFGP 339-512N CANE BACK CHAIR
SKU# 42603399

Assembly Instructions

BFGP 339-512N

CANE BACK CHAIR

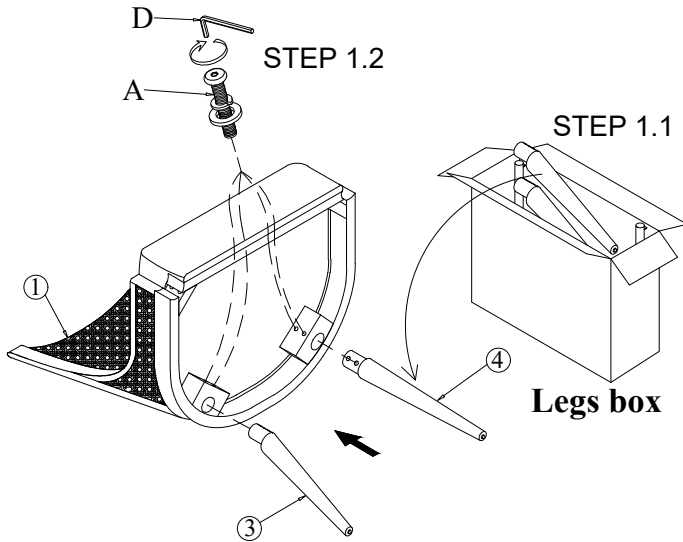
SKU# 42603399

***Caution: Please read all instructions carefully before starting the assembly process. These parts are cumbersome and heavy. Therefore, two people are recommended in order to prevent personal injury and ensure the parts are not damage during the assembly.

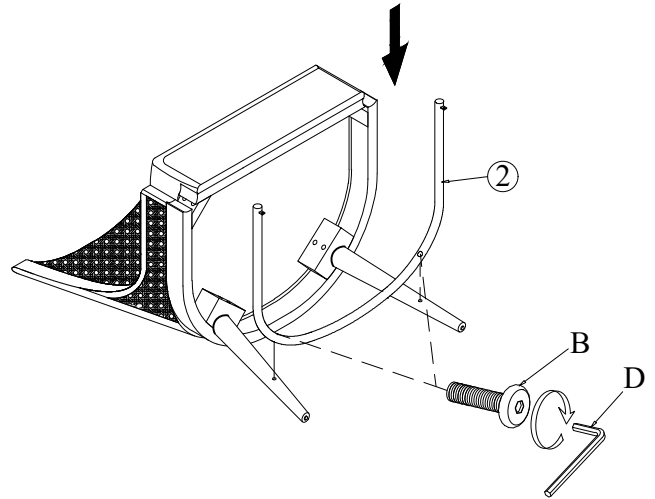
STEP 1:

1.1: Take Leg into the Legs Box.

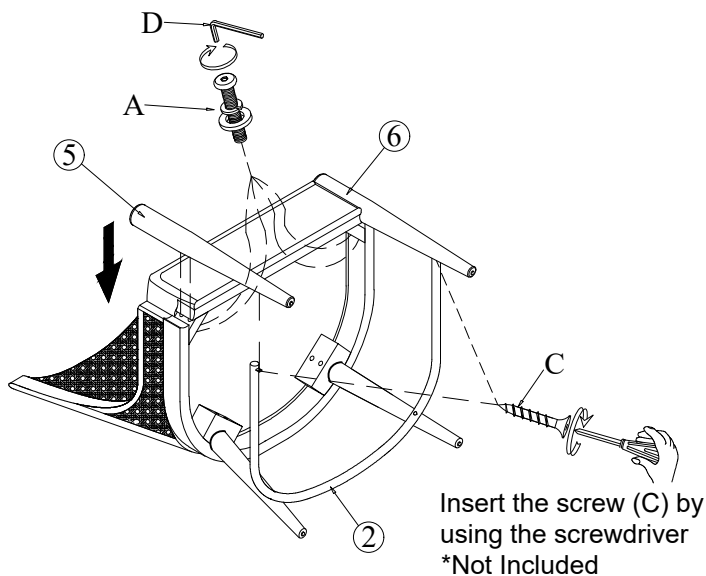
1.2: Attach Back legs (3), (4) to Chair seat (1) by using Bolt (A) with Allen key (D).



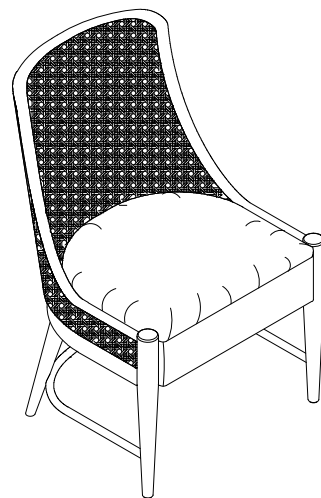
STEP 2: Attach Metal Stretcher (2) to the Back legs (3), (4) by using Bolt (B) with Allen Key (D).



STEP 3: Attach Metal Stretcher (2) to Front legs (5), (6) by using Screw (C) with Screwdriver. And attach Front legs (5), (6) to Chair seat (1) by using Bolt (A) with Allen key (D).



COMPLETED: Turn chair to the upright position, apply firm pressure to align and fully tighten all bolts and screws.



This product is manufactured by BFGP for

ROOMS TO GO

MADE IN VIETNAM

VERSIONS# 1 - 10/21/2023

2 OF 2