

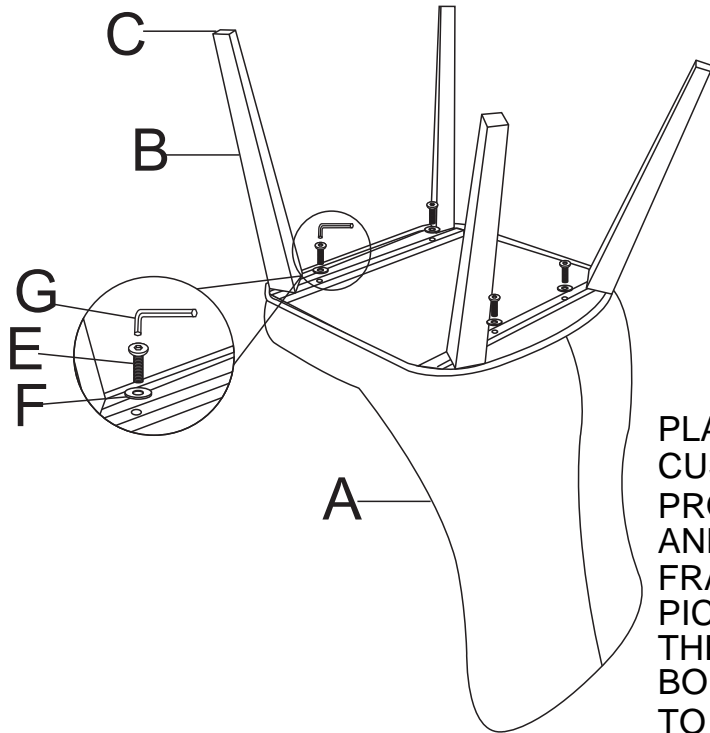


ASSEMBLY INSTRUCTIONS

SKU 42603539	CRAM	ND353-02	SIDE CHAIR
SKU 42613530	CRAM	ND353-04	SIDE CHAIR
SKU 42623531	CRAM	ND353-06	SIDE CHAIR
SKU 42633532	CRAM	ND353-08	SIDE CHAIR

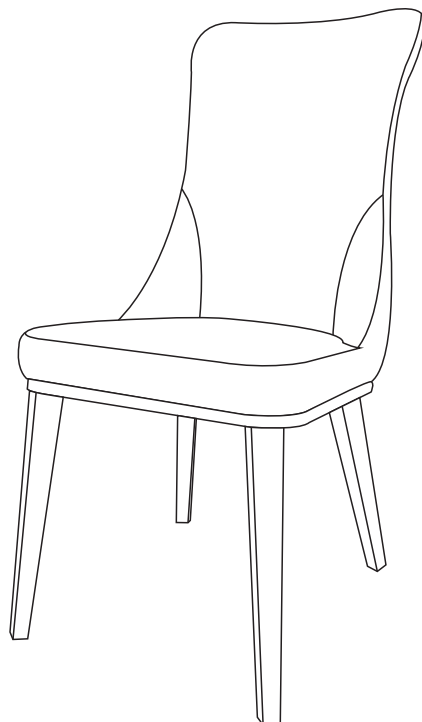
Manufactured for Rooms to Go.

STEP1



PLACE THE SEAT CUSHION ON A FLAT PROTECTED SURFACE AND SET THE LEG FRAME ON TOP AS PICTURED. ATTACH THE LEG FRAME WITH BOLT(E) AND WASHER(F) TO THE SEAT CUSHION. TIGHTEN ALL BOLTS.

STEP2



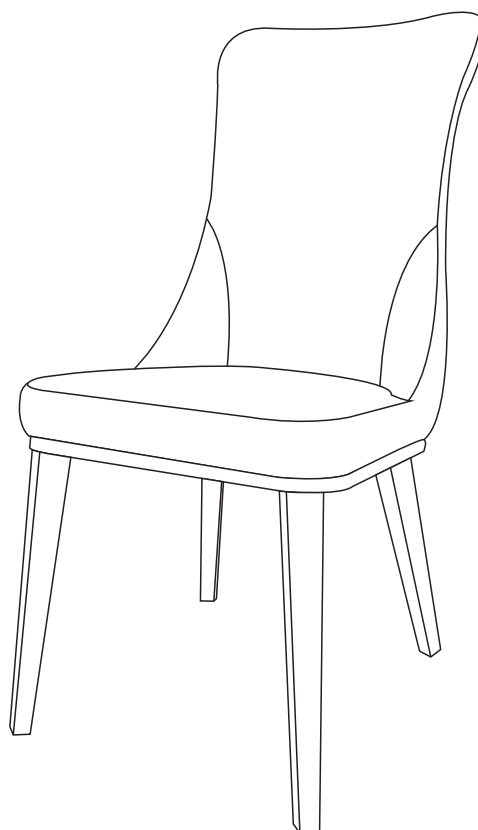
Note: Please do not tighten all bolts until the item is fully assembled. Once assembled tighten all bolts.
Not for commercial use.

ASSEMBLY INSTRUCTIONS

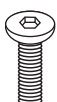




SKU 42603539 CRAM ND353-02 SIDE CHAIR
 SKU 42613530 CRAM ND353-04 SIDE CHAIR
 SKU 42623531 CRAM ND353-06 SIDE CHAIR
 SKU 42633532 CRAM ND353-08 SIDE CHAIR




Manufactured for Rooms to Go.



HARDWARE LIST

CODE		DESCRIPTION	QTY
E		Bolt M6*35mm	4 Pcs
F		Washer Ø16*1.5mm	4 Pcs
G		Allen Wrench 5mm	1Pc

PART LIST

NO	DESCRIPTION	SKETCH	QTY
A			Chair back & seat 1
B			Leg frame 1
C			Glide(25x25x20mmL) 4
D			Hardware Package 1