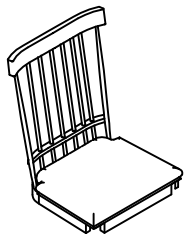
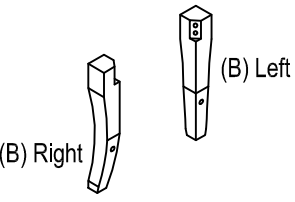
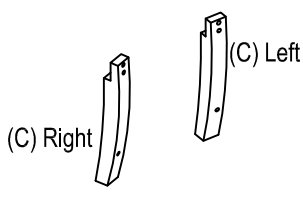
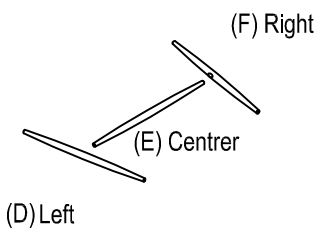

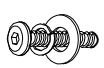



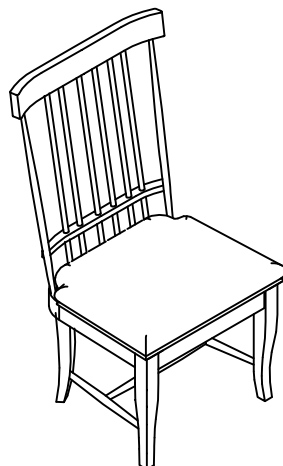
Assembly instructions for WINDSOR CHAIR - White/ Black/ Grey/ Blue 765-250 / 251 / 252 / 253

Caution: Please read instructions thoroughly before unpacking assembly parts. Sharp, exposed staple tips can cause injury, therefore, for your protection, please remove any exposed staples used in packing.

1. We recommend that you should assemble this product with the assistance of another person; this will make assembly easier, and will help to eliminate damage to the product or injury to persons during assembly.
2. Be sure to check all packing materials carefully for small parts that may have come loose inside the carton during shipment.
3. Please do not over tighten screws or bolts.
4. Please put all parts on a non-abrasive floor before assembly, and follow the assembly steps to assemble your newly purchased product correctly and efficiently.

			
A- Chair 1 piece	B- Front Leg 2 pieces	C- Back Leg 2 pieces	D- Stretcher 3 pieces/set

NO.	HARDWARE LIST (765-250)		QUANTITY
1		(L57*4MM) ALLEN KEY	1 piece
2		(Ø5/16 * 18 * 2-1/4"L) BOLT	8 pieces
		(Ø5/16*13*1.2MM) SPRING WASHER	8 pieces
		(Ø5/16*19*1.8MM) FLAT WASHER	8 pieces
3		(#8 * 32MM) WOOD SCREW	4 pieces



Assembly instructions for WINDSOR CHAIR - White/ Black/ Grey/ Blue 765-250 / 251 / 252 / 253

Step 1 : Unpack carton and place all parts on a non-abrasive floor.

Step 2 : Remove plastic cover from upholstered seat cushion (A)

Step 3 : Attach the Back legs (C) Left and Right to the rear corner blocks of the wood back seat (A) by using flat washers, spring washers and bolts (#2) through the pre-drilled holes in the rear corner blocks of the wood seat frame. Then use hand to tighten all bolts . (Don't use Allen Key (#1) to tighten too tight yet) .

Step 4 : Attach front legs (B) LEFT and RIGHT to the front corner blocks of the wood seat frame (A) by using flat washers, spring washers and bolts (#2) through the pre-drilled holes in the front corner blocks of the wood seat frame into the insert nuts on the chair front legs. PLEASE DO NOT TIGHTEN THE BOLTS AND MAKE SURE THE FRONT LEGS ARE STILL REALLY LOOSE.

Insert the ends of the side stretchers (D) & (F) (LEFT and RIGHT) into the pre-drilled holes at the lower section of the chair legs. MAKE SURE THE SCREW HOLES ARE AT THE BOTTOM SIDE.

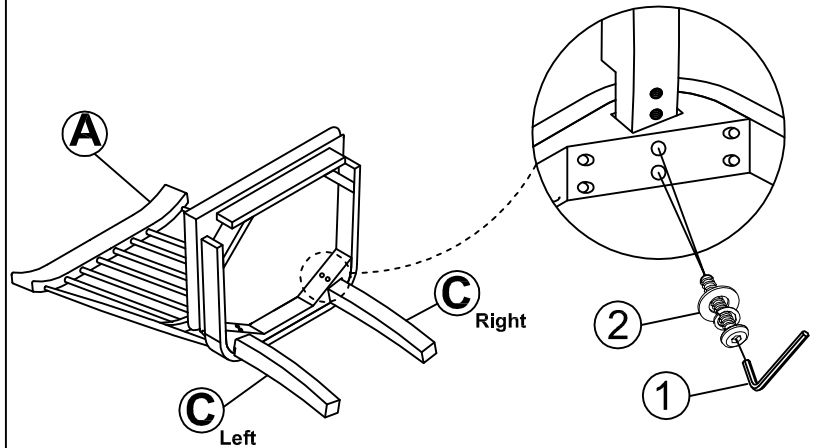
Insert the ends of the center stretcher (E) into the pre-drilled hole at the center of the side stretchers.

Use screw (#3) to secure the stretchers. Then use hand to tighten all bolts securely. (Don't use Allen Key(1) to tighten yet).

Most floors have slight irregularities that can effect chair leveling. If your chair is uneven when placed in its desired location , perform the following steps:

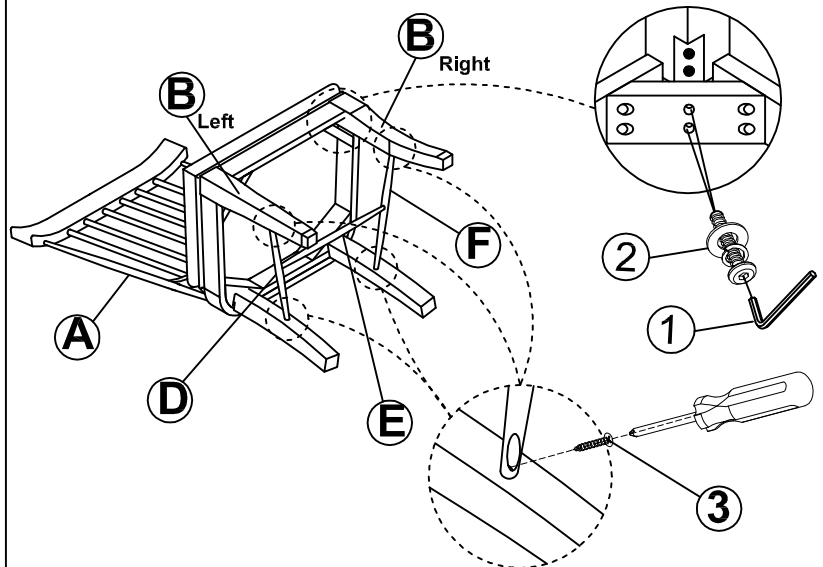
1. Loosen all bolts.
2. Put the chairs at the desired location.
3. Gently push downward on the front of seat and also at the back edge of seat until all four legs rest on floor.
4. Once the chair is level, no wobbly issue, now use Allen key to tighten all bolts securely again.

Step 3

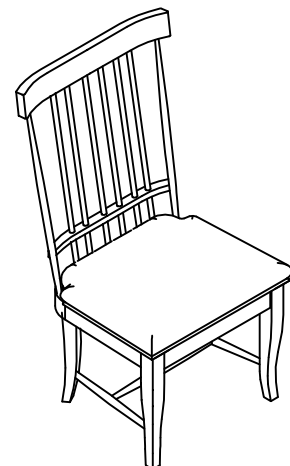


This step requires installation of four bolts.

Step 4



This step requires installation of four bolts.



Assembly completed