



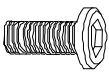

ASSEMBLY INSTRUCTION

GBHS

1708-32 LEATHER DIN CHAIR-NAVY

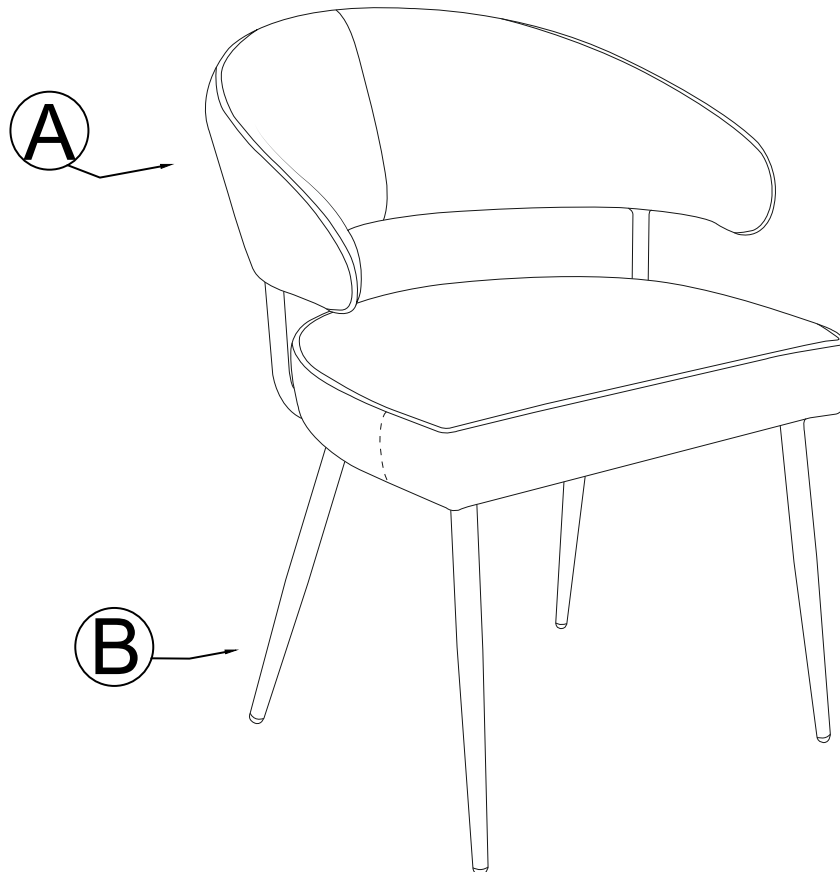
SKU# 42617083

THANK YOU FOR PURCHASING THIS QUALITY PRODUCT. BE SURE TO CHECK ALL PACKING MATERIAL CAREFULLY FOR SMALL PARTS. WHICH MAY HAVE COME LOOSE INSIDE THE CARTON DURING SHIPMENT. IDENTIFY AND COUNT ALL PARTS AND COMPARE WITH THE HARDWARE LIST BELOW.

HARDWARE LIST	NO	PICTURE	DESCRIPTION	DIMENSION	QTY.
	1		SPRING WASHER	2 x 17 mm	6 PCS
	2		FLAT WASHER	2 x 10 mm	6 PCS
	3		ALLEN BOLT	5 x 30 mm Thread Count - 28	6 PCS
	4		ALLEN KEY		1 PC

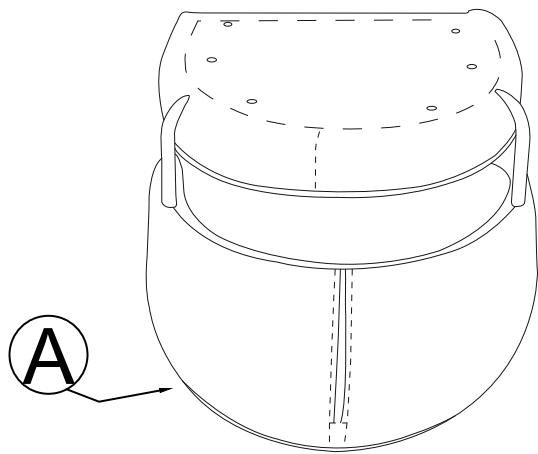
PARTS LIST	NO	DESCRIPTION	QTY.
	A	CHAIR SEAT	1 PCS
	B	CHAIR LEGS	2 PCS

NOTES

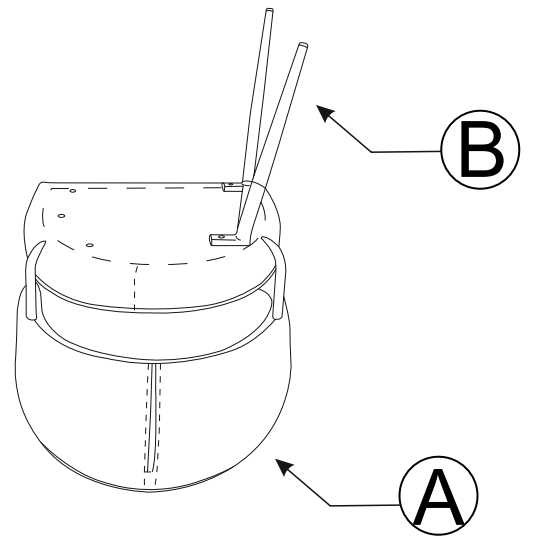


NOTE : PLACE CHAIR SEAT ON A CLEAN AND SMOOTH SURFACE SUCH AS A RUG OR CARPET TO AVOID THE CHAIR SURFACE FROM BEING SCRATCHED.

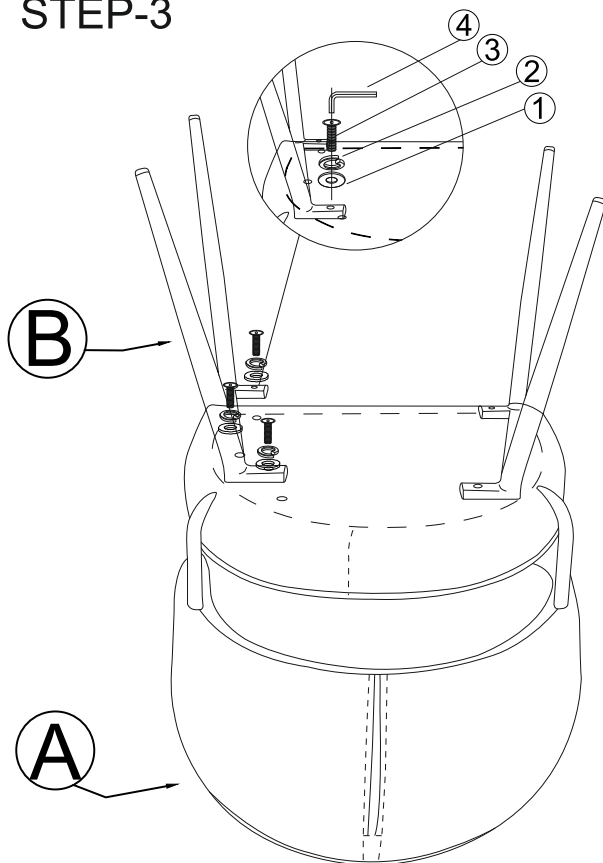
STEP-1



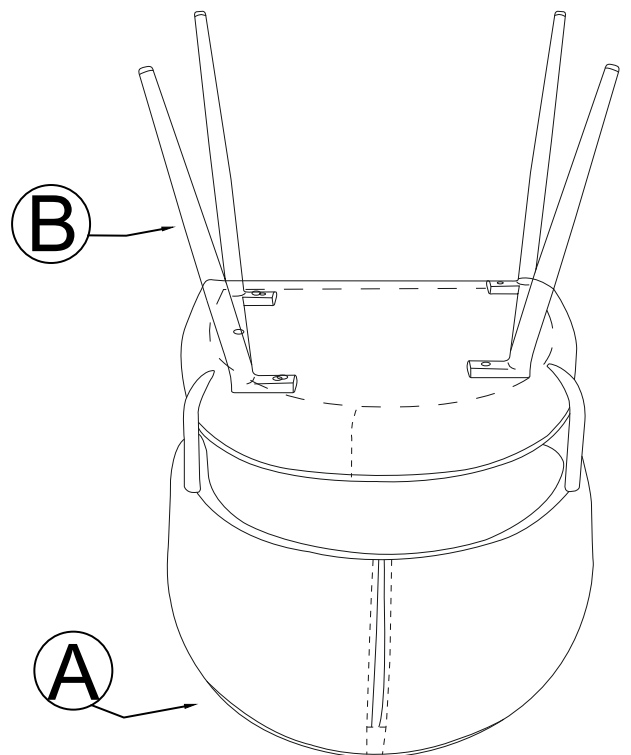
STEP-2



STEP-3



STEP-4



Assembly as follows: -

1. Attach the metal leg of one side first with the help of bolts and Allen key as mentioned above.
2. Then attach second leg.
3. After this attach all the three bolts and fixed the leather seat properly.
4. Do Not tighten all bolts until the metal legs are attached properly.
5. After the fixation of leather seat and metal legs tighten the bolts properly before use.