

# Assembly Instructions








GLOB

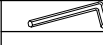




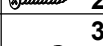
1771D-3A UPHOLSTERED BACK ARM CHAIR

SKU#42617730

Thank you for purchasing this quality product. Be sure to check all packing materials carefully for small parts that may have come loose inside the carton during shipment.

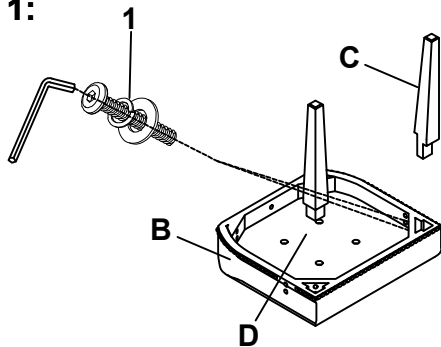
\*\*\* Caution: Please read all instructions carefully before starting the assembly process. These parts are cumbersome and heavy. therefore, two people are recommended in order to prevent personal injury and ensure the parts are not damaged during the assembly.

NO.	PARTS LIST		Q'TY
A		Chair Back	1
B		Seat Frame	1
C		Front Leg-L	1
D		Front Leg-R	1
E		Stretcher	1
F		Arm-R	1
G		Arm-L	1

NO.	HARDWARE LIST		Q'TY
1		Allen Key 4x57x23mm	1
		Bolt 1/4"-20x2"	4
		Spring Washer 1/4"xφ12x2mmT	
		Flat Washer 1/4"xφ19x2mmT	
2		2-1 Bolt 1/4"-20x1-1/2"	1
		Spring Washer 1/4"xφ12x2mmT	
		Flat Washer 1/4"xφ19x2mmT	
		2-2 Bolt 1/4"-20x3"	4
		Spring Washer 1/4"xφ12x2mmT	
		Flat Washer 1/4"xφ19x2mmT	
3		2-3 Screw 8x1-1/2"	4
		3-1 Bolt 1/4"-20x1-1/2"	4
		Spring Washer 1/4"xφ12x2mmT	
	Flat Washer 1/4"xφ19x2mmT		
	3-2 Screw 8x1-1/2"	2	

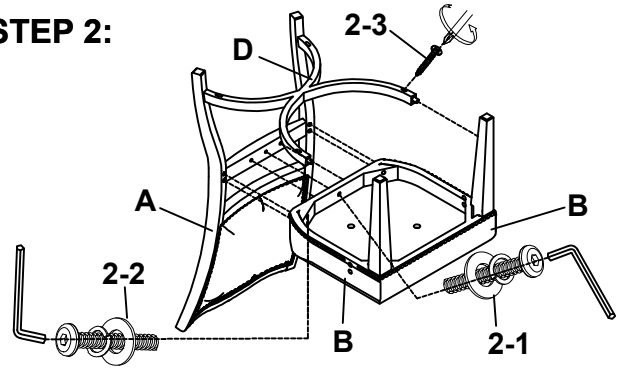
(PS: Screwdriver is not included in the hardware pack.)

## STEP 1:



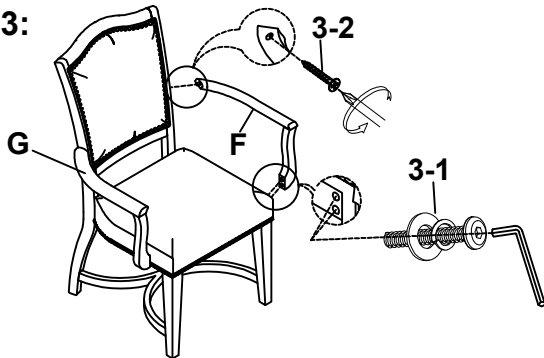
Attach the front legs to the seat frame.

## STEP 2:

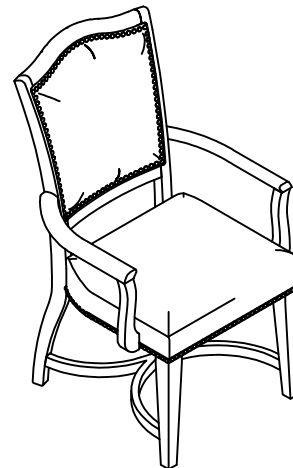


Attach the seat frame to the chair back and X stretcher to the chair back and front legs.

## STEP 3:



Attach the arms to the chair back and seat frame.  
Note: Do not tighten all screws & bolts until the seat is fully assembled.



Hardware Pack Location(s):  
UPHOLSTERED BACK ARM CHAIR,SKU#42617730

This product is manufactured by (GLOB) for ROOMS TO GO