

Sofia Vergara
COLLECTION


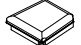

Assembly Instructions

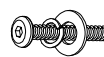


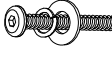
NAJA CRPATDS 42623846 2384-4 WOOD S CHAIR WHITE ASH
NAJA CRPATDSC 42623858 2385-4 WOOD S CHAIR CHOCOLATE

Thank you for purchasing this quality product. Be sure to check all packing material carefully for small parts, which may have come loose inside the carton during shipment. Identify and count all parts and compare with the **HARDWARE LIST** below.

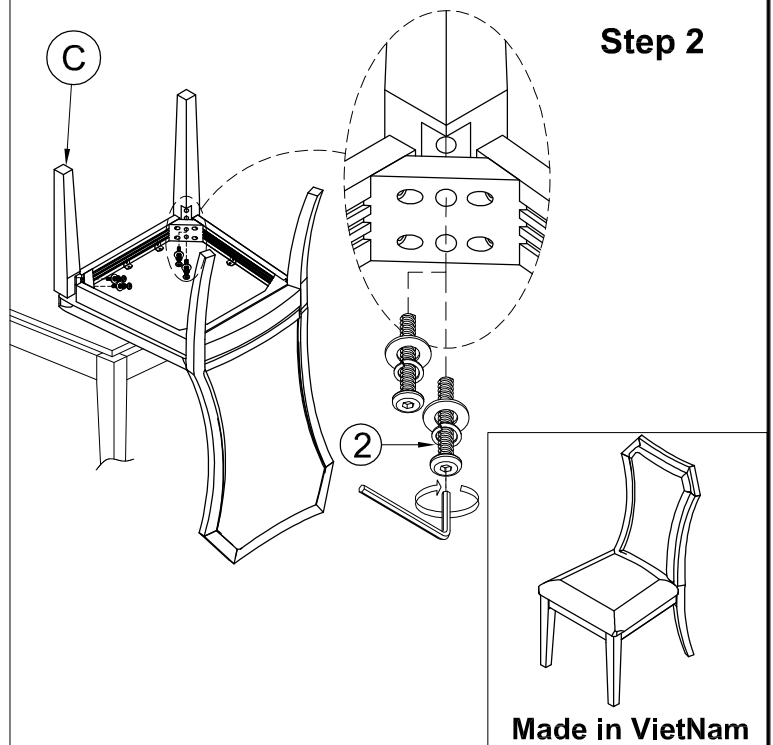
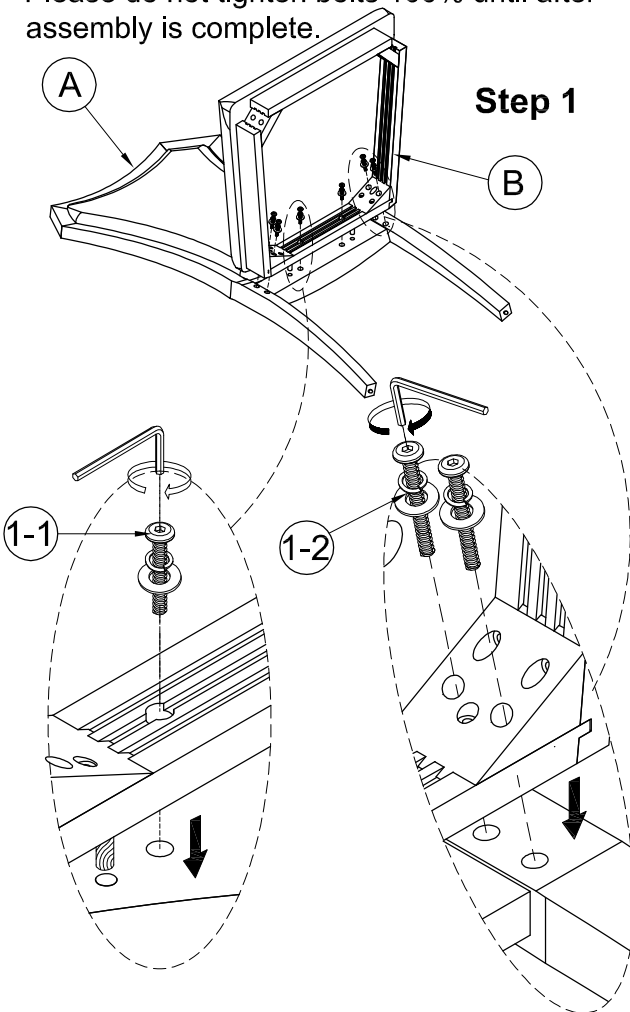
Caution : Please read instructions thoroughly before unpacking assembly parts.

1. We recommend that you should assemble this product with the assistance of another person; this will make assembly easier, and will help to eliminate damage to the product or injury to persons during assembly.
2. Please do not over tighten screws or bolts until the assembly is completed.
3. Please put all parts on a non - abrasive floor before assembly, and follow the assembly steps to assemble your newly purchased product correctly and efficiently.

NO.	PARTS LIST		Q'TY
A		Chair backrest	1
B		Seat cushion	1
C		Front legs	2

NO.	HARDWARE LIST		Q'TY
1		1-1 Ø1/4" x 18 x 1 5/8" L Bolts	2
		Ø5/16"xØ13x2mm Spring washer	
		Ø5/16"xØ22x2mm Flat washer	
		1-2 Ø5/16" x 18x3 1/8" L Bolts	4
Ø5/16"xØ13x2mm Spring washer			
Ø5/16"xØ22x2mm Flat washer			
		Allen wrench (4mm)	1
2		Ø5/16" x 18x3 1/8" L Bolts	4
		Ø5/16"xØ13x2mm Spring washer	
		Ø5/16"xØ22x2mm Flat washer	

Please do not tighten bolts 100% until after assembly is complete.



Made in VietNam