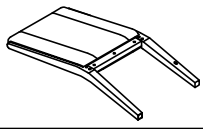
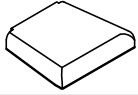




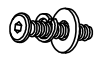
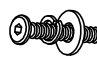


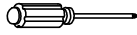


This product is manufactured by PULA for Rooms To Go

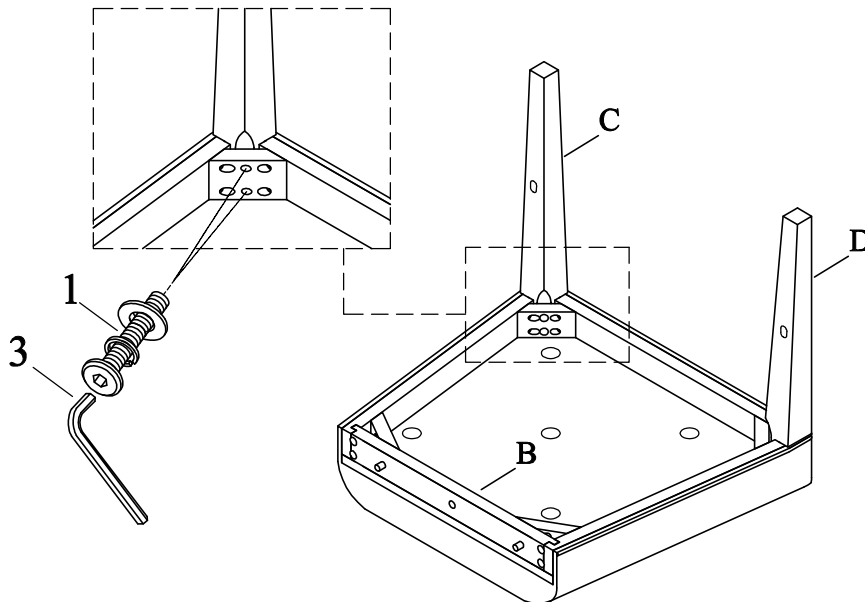
*** Caution: Please read all instructions carefully before starting the assembly process. These parts are cumbersome and heavy. Therefore, two people are recommended in order to prevent personal injury and ensure the parts are not damaged during the assembly.

*** Remark: DO NOT fully tighten all bolts until assembly is completed.

Code	PARTS LIST :		
A	Chair back		1Pc
B	Seat frame		1Pc
C	Front leg (left)		1Pc
D	Front leg (right)		1Pc
E	Side Stretcher (left)		1Pc
F	Side Stretcher (right)		1Pc

Code	HARDWARE LIST		
1	$\phi 5/16"$ x 19*2mm Flat Washer		8Pcs
	$\phi 5/16"$ Spring Washer		8Pcs
	$\phi 5/16"$ x 18 x 3" Allen Head Bolt		8Pcs
2	$\phi 1/4"$ x 19*2mm Flat Washer		1Pcs
	$\phi 1/4"$ Spring Washer		1Pcs
	$\phi 1/4"$ x 20 x 1-1/2" Allen Head Bolt		1Pcs
3	4mm Allen Key		1Pc
4	#8 x 1" Screw		4Pcs
Tool Required (not provided)			
		Phillip Screwdriver	

STEP 1



Hardware Pack Location (s):

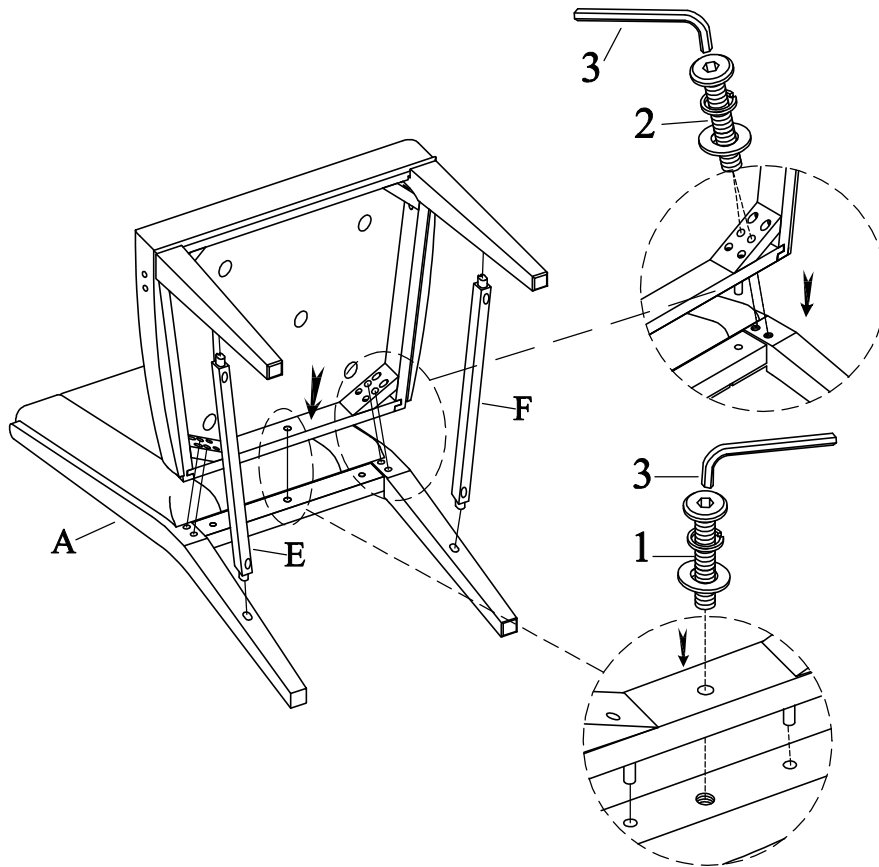
3380-270 Upholstered Side Chair, **SKU: 42633809**

This product is manufactured by PULA for Rooms To Go ✓

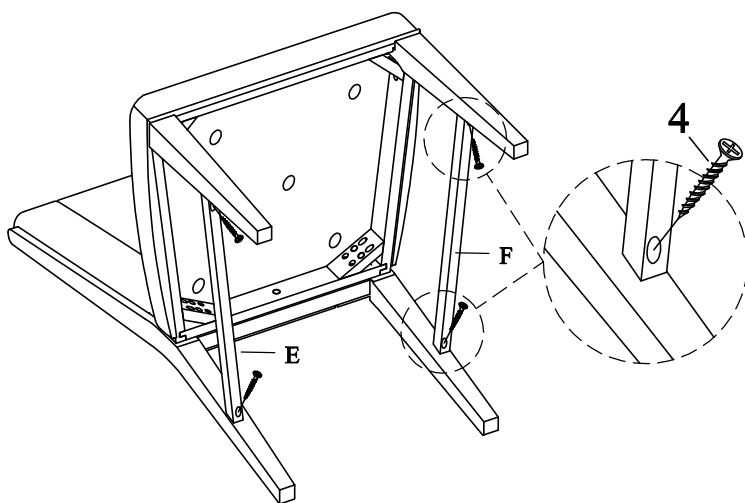
*** Caution: Please read all instructions carefully before starting the assembly process. These parts are cumbersome and heavy. Therefore, two people are recommended in order to prevent personal injury and ensure the parts are not damaged during the assembly.

*** Remark: DO NOT fully tighten all bolts until assembly is completed.

STEP 2



STEP 3



Complete

