



ASSEMBLY INSTRUCTIONS

MODEL : 4733 - 18 SLAT BACK DINING CHAIR

SKU# 42447335, 42547337, 42647339, 42747331, 42847333

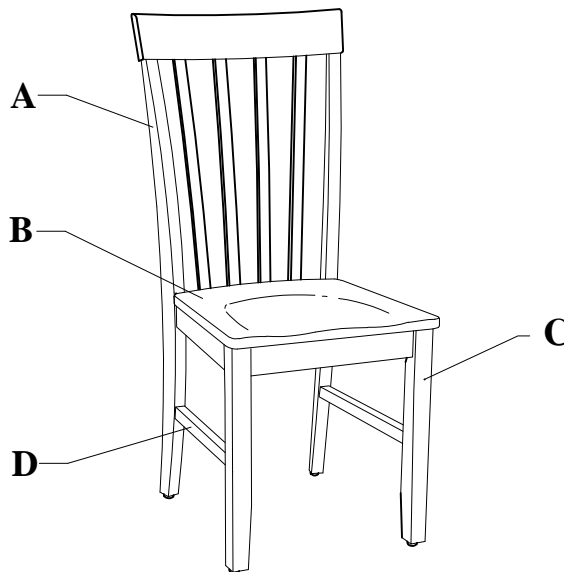
Manufactured by (AXEL) for Rooms To Go

Version 1 08/2024

Thank you for purchasing this quality product. Be sure to check all packing material carefully for small parts. Which may have come loose inside the carton during shipment. Identify and count all parts and compare with the hardware list as below :

Hardware List	No.	Description	Dimension	Picture	Qty
	①	JCBB M8	8 x P1.25 x 40mm [Length]		2 Pcs
Spring Washer		M8 x 14mm	2 Pcs		
Flat Washer		M8 x 18mm	2 Pcs		
②	JCBB M8	8 x P1.25 x 80mm [Length]		8 Pcs	
	Spring Washer	M8 x 14mm		8 Pcs	
	Flat Washer	M8 x 18mm		8 Pcs	
③	Allen Wrench	M4 x 95mm		1 Pc	
④	Pan Head Screw M4	4 x 38mm [Length]		4 Pcs	
⑤	Tools required (not included): PHILLIPS HEAD SCREW DRIVER				

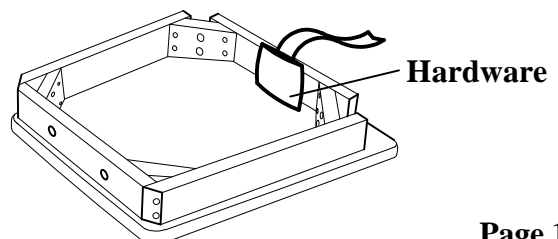
Parts List	No.	Description	Picture	Qty
	A	Back rest		1 Pc
B	Seat		1 Pc	
C	Front Leg (L & R)		2 Pcs	
D	Side Stretcher (L & R)		2 Pcs	



PARTS DETAILS

Hardware Pack Location(s) :

SLAT BACK DINING CHAIR,
SKU# 42447335, 42547337, 42647339,
42747331, 42847333

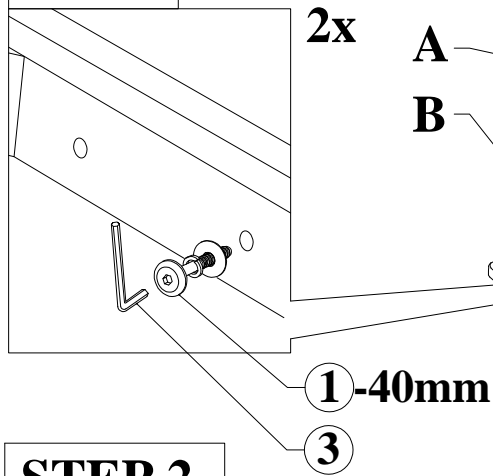


Assembly step

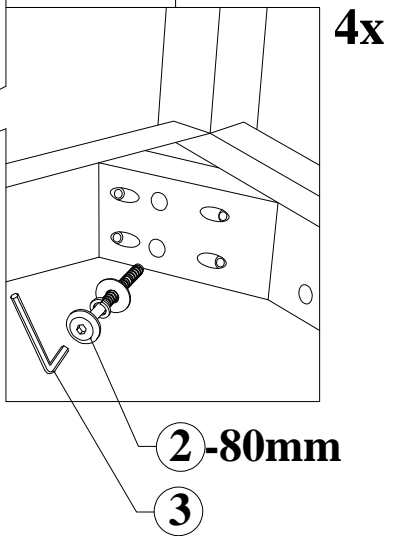
STEP 1

Assemble **BACKREST** to **SEAT** as illustration shown. **DO NOT TIGHTEN THE SCREWS UNTIL FULLY SET UP.**

STEP 1a

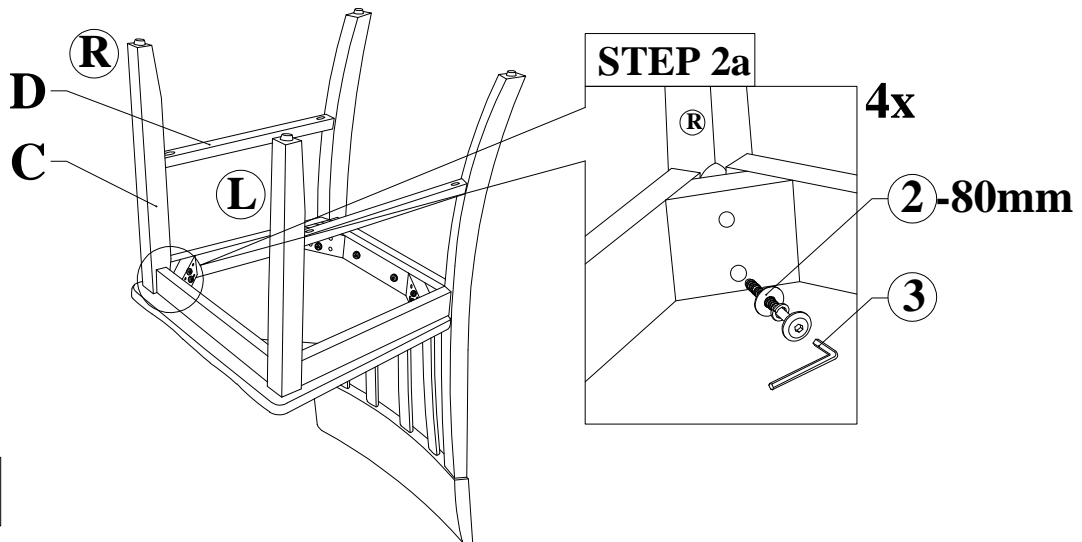


STEP 1b



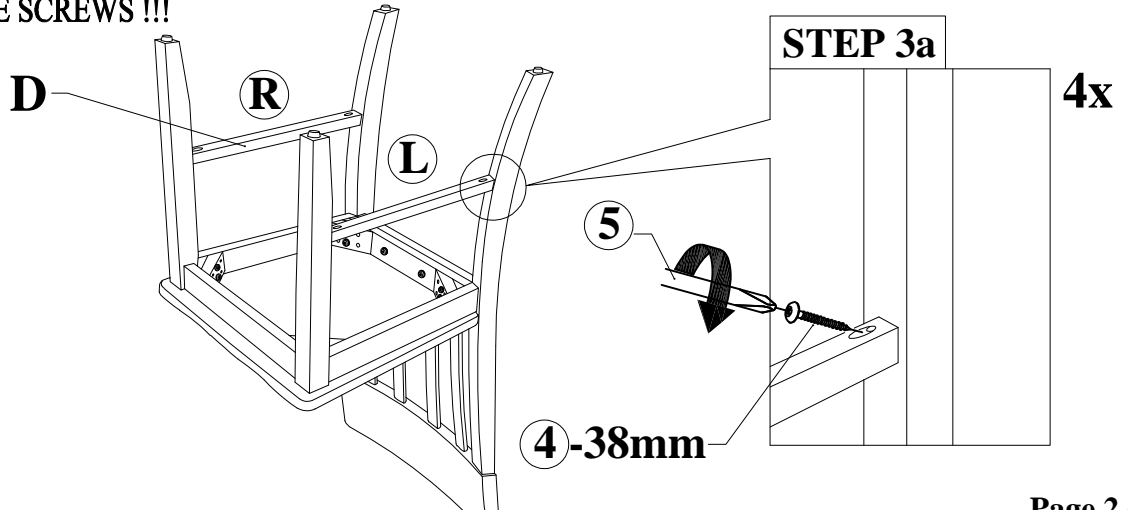
STEP 2

Assemble **FRONT LEG** to **SEAT** as illustration shown. **DO NOT TIGHTEN THE SCREWS UNTIL FULLY SET UP.**



STEP 3

Assemble **STRETCHER** to **LEG** as illustration shown. (NOTE : USE HARDWARE IN BOX 4)
TIGHTEN ALL THE SCREWS !!!



NOTE:

To ensure that chair is level, assemble the chair on flat & soft surface. **DO NOT** tighten all the screw & bolts until the chair been adjust & level all the legs so that they do not wobble. Once adjusted then only tighten all the screw using Allen Key while making sure that the unit remain level.