

ASSEMBLY INSTRUCTIONS



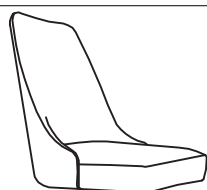
HMVN	4839-SBE	DINING CHAIR	SKU#: 42448399
HMVN	4839-SO	DINING CHAIR	SKU#: 42548391
HMVN	4839-SG	DINING CHAIR	SKU#: 42648393
HMVN	4839-SBL	DINING CHAIR	SKU#: 42748395

This product is manufactured by HMVN for Rooms To Go

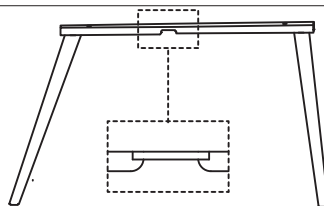
Thank you for purchasing this product. Be sure to check all packing material carefully for small parts which may have come loose inside the carton during shipment. Identify and count all parts and compare with the **HARDWARE LIST** below.

Caution: Please read all instructions carefully before starting the assembly process. These parts are cumbersome and heavy. Therefore, two people are recommended in order to prevent personal injury and insure the parts are not damaged during the assembly.

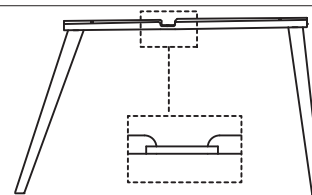
PARTS LIST



A. UPHOLSTERY SEAT - 1PC



B. UPPER LEG - 1 PC



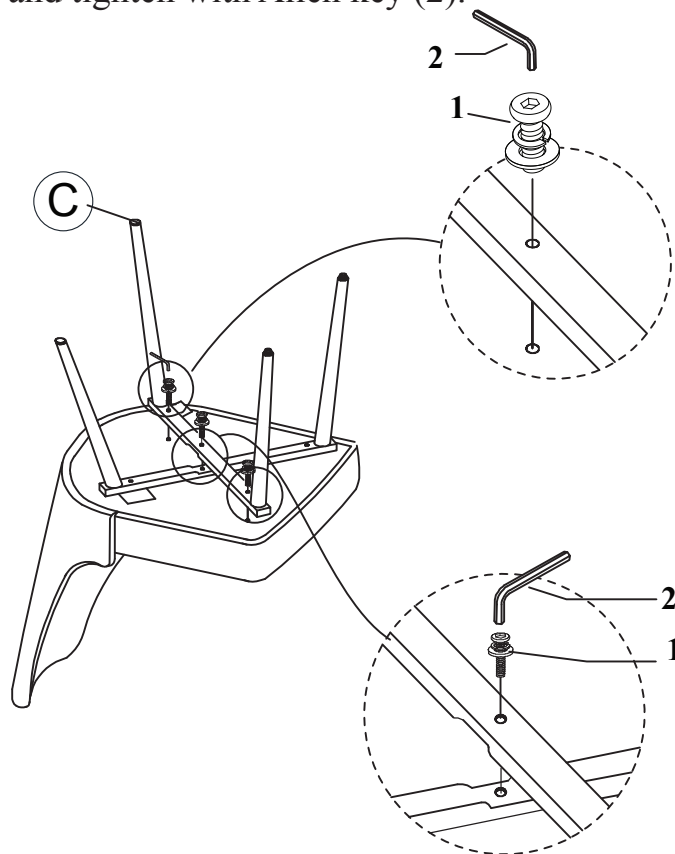
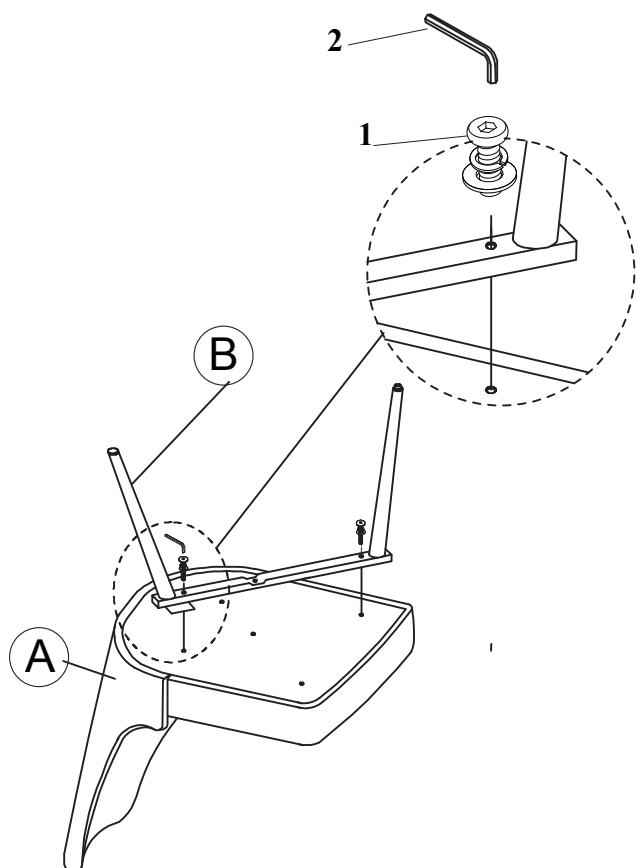
C. UNDER LEG - 1 PC

NO.	HARDWARE LIST	Q'TY
1	BOLT 1/4*20*30 mm	5 PCS
	SPRING WASHER 1/4*Ø12*1.5mm	
	FLAT WASHER 1/4*Ø16*2mm	
2	ALLEN KEY M4	1 PC

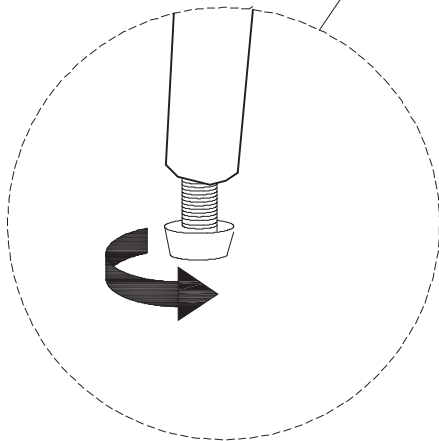
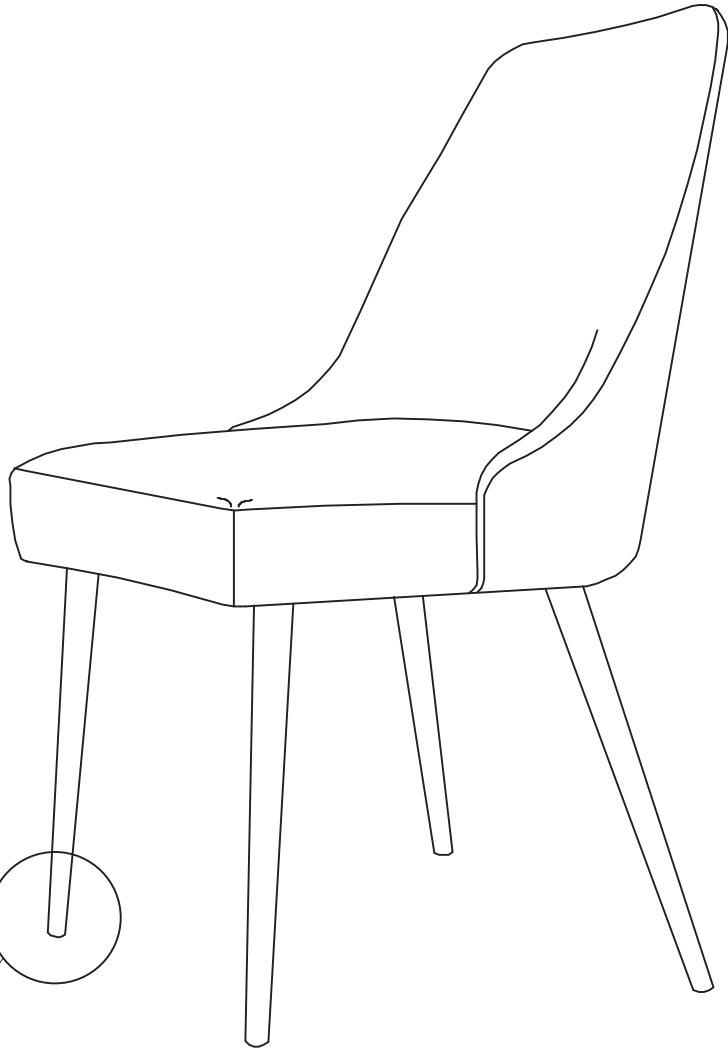
Note: Do not tighten all screws & bolts until the chair is fully assembly.

STEP 1: Assemble the Upper Leg (B) to the Upholstery Seat (A) by Bolt (1) and tighten with Allen key (2).

STEP 2: Assemble the Under Leg (C) to the Upholstery Seat (A) and Upper Leg (B) by Bolt (1) and tighten with Allen key (2).



STEP 3:



Adjustable Leveler

Assembly completed.