

Assembly instructions for

Host Chair


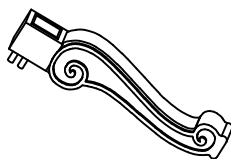
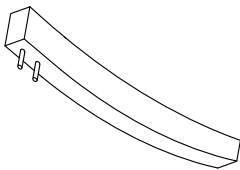
8522-258




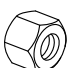
RIEE: 42652215

PAGE 1 OF 2

Caution: Please read instructions thoroughly before unpacking assembly parts. Sharp, exposed staple tips can cause injury, therefore, for your protection, please remove any exposed staples used in packing.

1. We recommend that you should assemble this product with the assistance of another person; this will make assembly easier, and will help to eliminate damage to the product or injury to persons during assembly.
2. Be sure to check all packing materials carefully for small parts that may have come loose inside the carton during shipment.
3. Please do not over tighten screws or bolts.
4. Please put all parts on a non-abrasive floor before assembly, and follow the assembly steps to assemble your newly purchased product correctly and efficiently.

NO.	A	B	C
PARTS LIST (8522-258)			
	SEAT AND BACK FRAME	FRONT LEG	BACK LEG
Q'TY	1 piece	2 pieces	2 pieces

NO.	HARDWARE LIST (8522-258)		Q'TY
1		(Ø5/16*12MM) WRENCH	1 piece
2		(Ø5/16*13*1.2MM) SPRING WASHER	8 pieces
		(Ø5/16*19*1.8MM) FLAT WASHER	8 pieces
		(Ø5/16*12MM) HEXAGON NUT	8 pieces

Assembly instructions for

Host Chair

8522-258

RIEE: 42652215

PAGE 2 OF 2

Step 1 : Unpack carton and place all parts on a non-abrasive floor.

Step 2 : Remove plastic cover from Seat and Back frame (A)

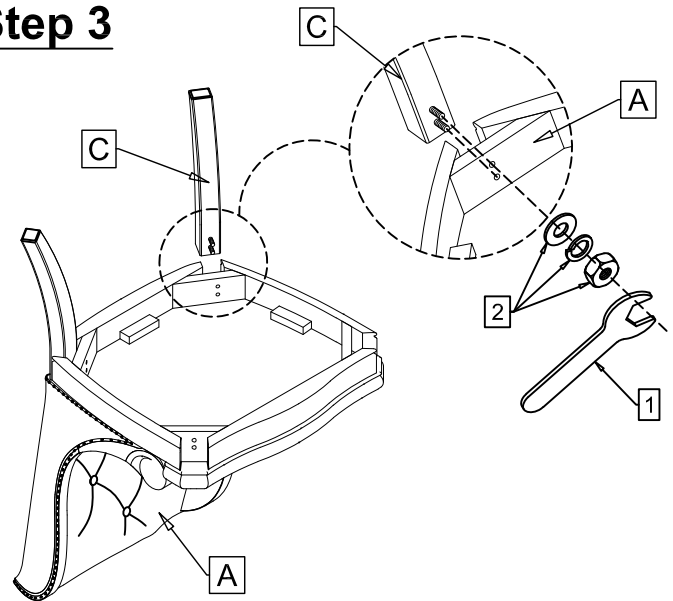
Step 3 : Attach back leg (B) to Seat and Back frame (A) by using flat washer, spring washer and hexagon nut through the pre-drilled holes in the front corner blocks of the wood seat frame. Then use hand to tighten all nuts securely. Don't use Wrench (#1) to tighten the nuts tightly yet.

Step 4 : Attach front leg (C) to Seat and Back frame by using flat washer, spring washer and hexagon nut through the pre-drilled holes in the front corner blocks of the wood seat frame. Then use hand to tighten all nuts securely. Don't use Wrench (#1) to tighten the nuts tightly yet.

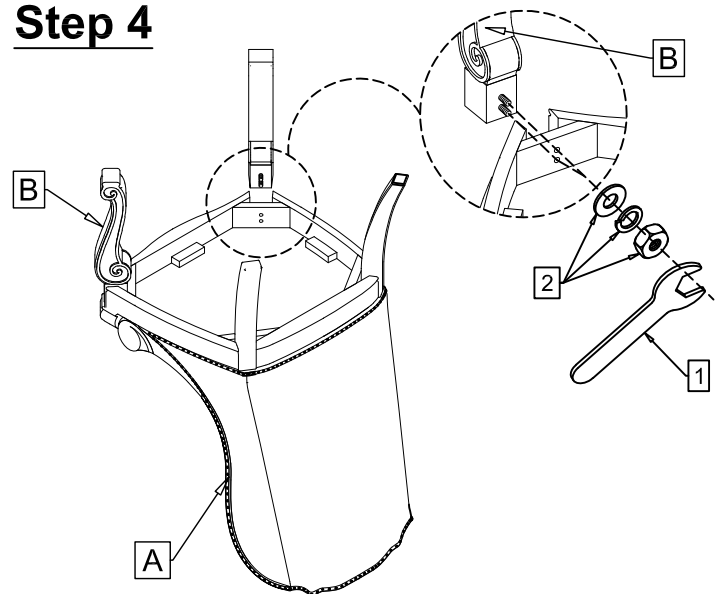
Most floors have slight irregularities that can effect chair leveling. If your chair is uneven when placed in its desired location , please perform the following steps:

1. Loosen all nuts.
2. Put the chairs at the desired location.
3. Gently push downward on the front of seat and also at the back edge of seat until all four legs rest on floor.
4. Once the chair is level, no wobbly issue, now use Wrench to tighten all nuts securely again.

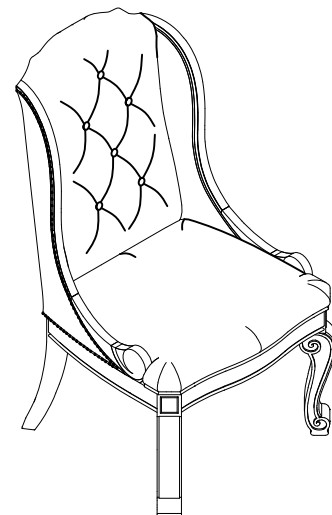
Step 3



Step 4



Step 5



Assembly completed