



# ASSEMBLY INSTRUCTIONS


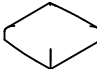


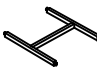
LEGC 5413-140 UPHOLSTERED SIDE CHAIR - SKU: 42654132

Manufactured by LEGC for ROOMS TO GO

Version 1: 05.09.2025

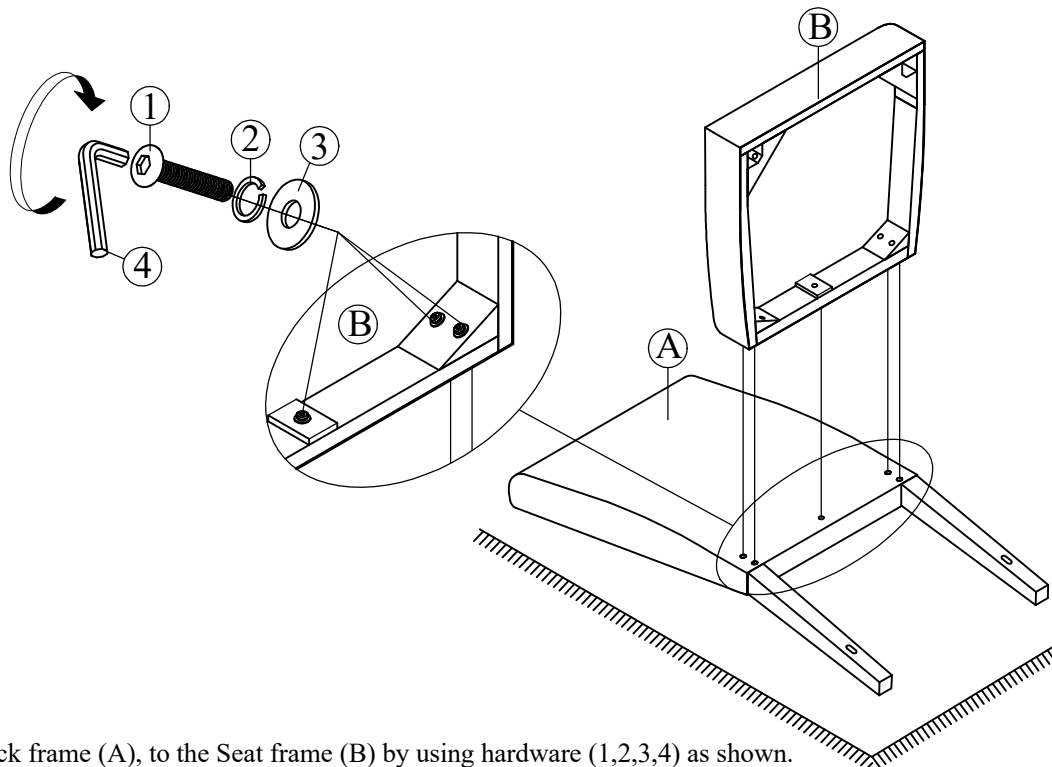
**Caution:** Please read the instructions thoroughly before unpacking and assembly. Sharp, exposed staple tips can cause injury. Therefore, for your protection, please remove any exposed staples used in the packaging.

1. We recommend that you should assemble this product with the assistance of another person; this will make assembly easier, and will help eliminate damage to the product or injury to persons during assembly.
2. Be sure to check all packing materials carefully for small parts that may have come loose inside the carton during shipment.
3. Please do not over tighten screws or bolts.
4. Please put all parts on a non-abrasive floor before assembly, and follow the assembly steps to assemble your newly purchased product correctly and efficiently.

NO.	PART LIST		Q'TY
A	BACK FRAME		1 Pc
B	SEAT FRAME		1 Pc
C	RIGHT LEG		1 Pc
D	LEFT LEG		1 Pc
E	H STRETCHER		1 Pc

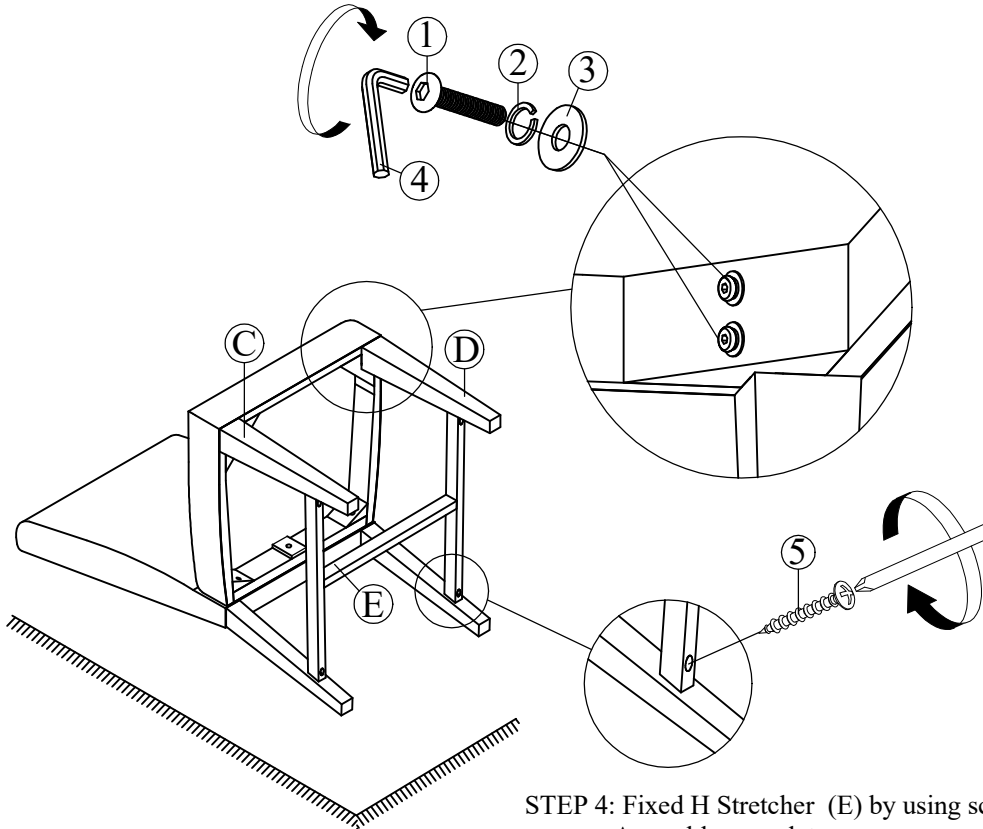
NO.	HARDWARE LIST		Q'TY
1	Bolt 5/16"-18*3 1/4"		9 Pcs
2	Spring Washer 5/16"		9 Pcs
3	Flat Washer 5/16"*19mm		9 Pcs
4	Allen Key 4mm		1 Pc
5	Wood screw #8*50mm		4 Pcs

**STEP 1:** Lay out all parts and hardware on a clean protective surface to protect the furniture and floor during assembly. Make sure the quantity of each is correct and the feet are free of stain, staples, screws and nail.



**STEP 2:** Attach Back frame (A), to the Seat frame (B) by using hardware (1,2,3,4) as shown. Fully tighten all bolts.

STEP 3: Attach Left, Right Leg (C,D), to the Seat frame (B) by using hardware (1,2,3,4) as shown .  
Fully tighten all bolts.



STEP 4: Fixed H Stretcher (E) by using screws (5) as shown.  
Assembly complete.

