
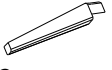
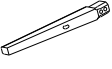
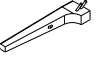
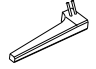


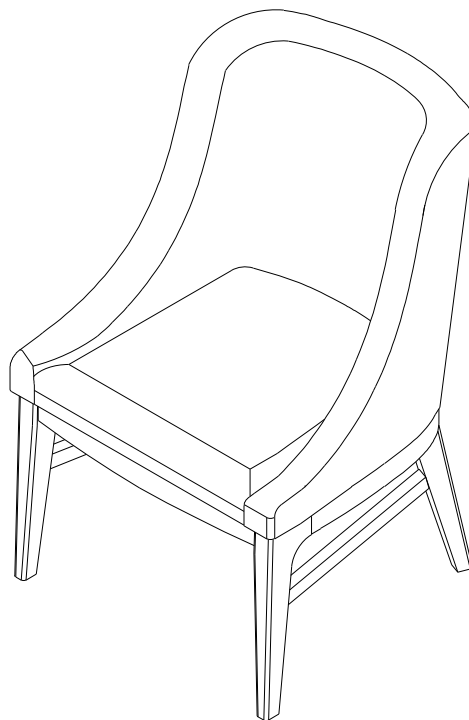


PARTS LIST

Step	Code	Hardware	Q'TY
	A	Allen key 4mm dia.	1 Pc
	B	Wrench 1/2"	1 Pc
1	C	Bolt 5/16"-18 x 3 "	4 Pcs
		Flat Washer 5/16" x 19 x 1.5mm	4 Pcs
		Spring Washer 5/16" x 13 x 1.2mm	4 Pcs
2	D	Nut 5/16" x 13 mm	4 Pcs
		Flat Washer 5/16" x 19 x 1.5mm	4 Pcs
		Spring Washer 5/16" x 13 x 1.2mm	4 Pcs
3	E	Screw 4 x 1 3/4"	4 Pc

Tool Required: Phillips screwdriver
(not provided)

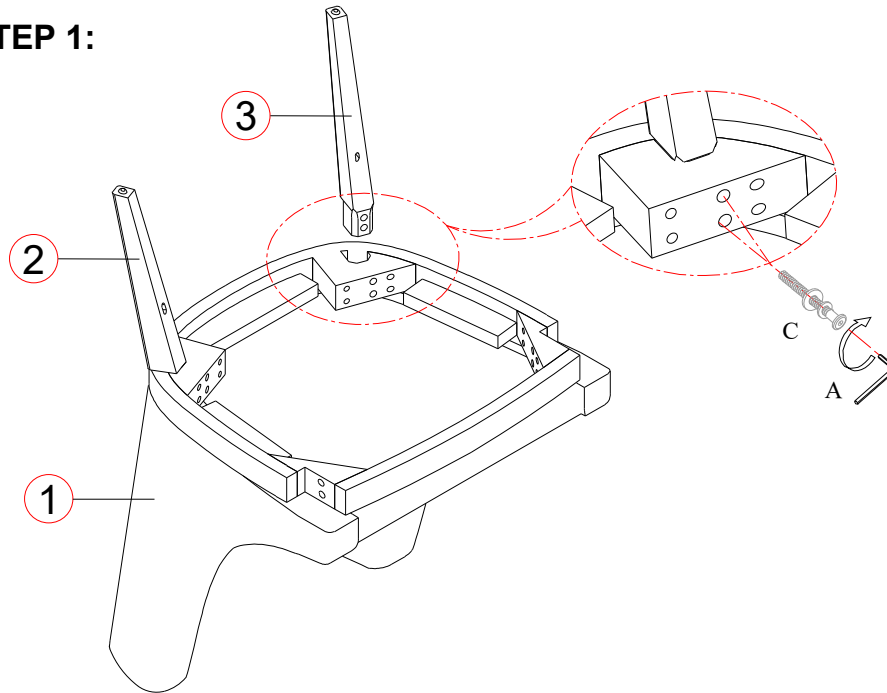
	1. Seat Frame - 1 Pc
	2. Back Right Leg - 1 Pc
	3. Back Left Leg - 1 Pc
	4. Front Right Leg - 1 Pc
	5. Front Left Leg - 1 Pc
	6. Right Stretcher - 1 Pc
	7. Left Stretcher - 1 Pc



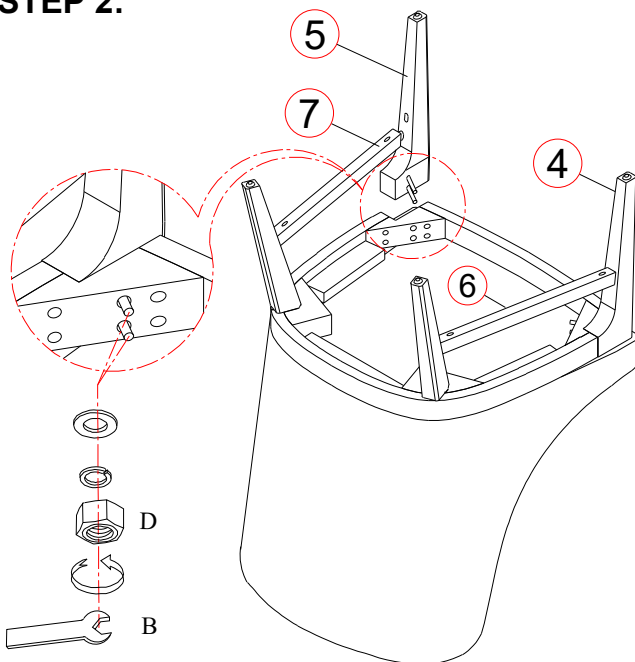
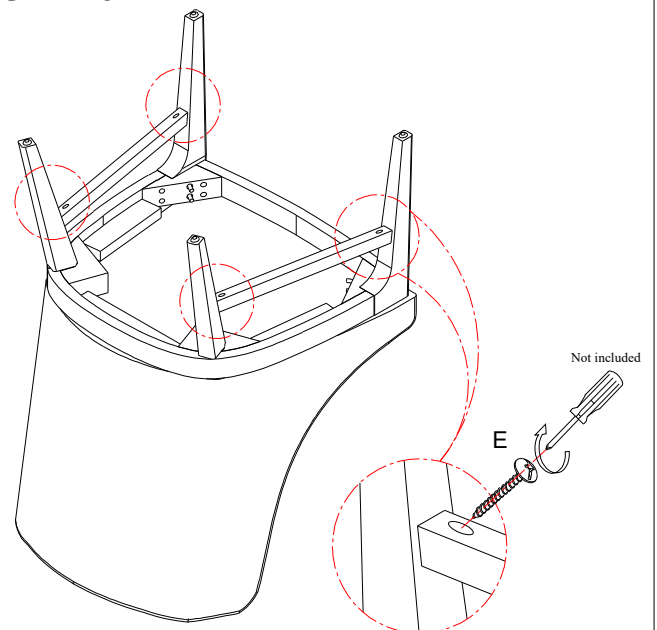
Hardware Pack Locations:

5880-73 Uph Arm Chair, SKU# 42658801

***Cautions: Please read all instructions carefully before starting the assembly process. These parts are cumbersome and heavy. Therefore, two people are recommended in order to prevent personal injury and ensure the parts are not damaged during the assembly.

STEP 1:

Do not tighten all the bolts until the assembly is completed.

STEP 2:**STEP 3:****Hardware Pack Locations:**

5880-73 Uph Arm Chair, SKU# 42658801