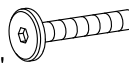

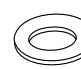


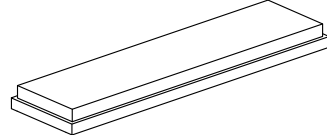
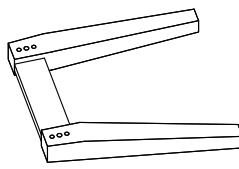
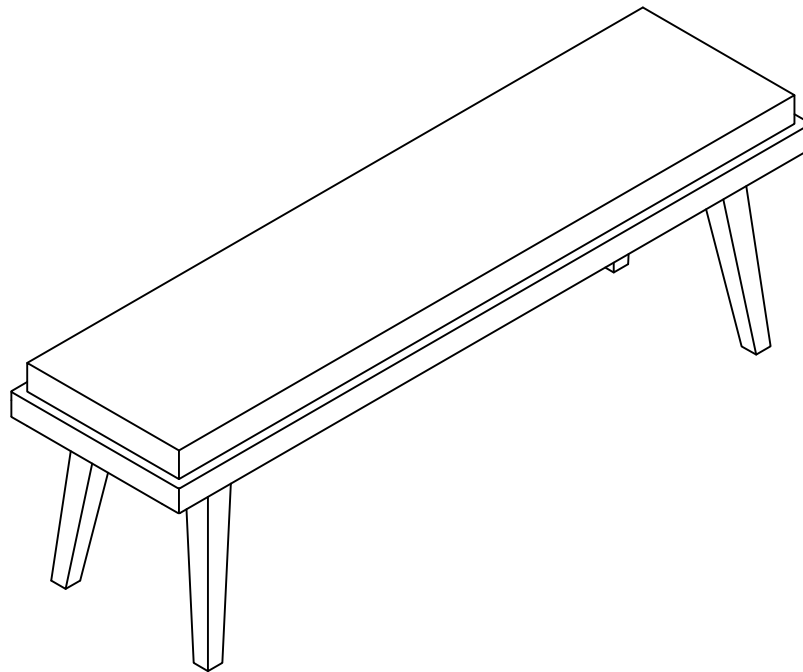


HOUS 1105/6105-116-BEN DARK FINISH DINING BENCH

SKU# 42561058

| Step | Code | Hardware | Q'TY |
|------|------|--|-------------------|
| 1 | A | Bolt $\varnothing 1/4" \times 20 \times 2-1/2"$ Boulon $\varnothing 1/4" \times 20 \times 2-1/2"$ | 8 Pcs 8 Pièces |
| | |  | |
| 1 | B | Spring Washer $\varnothing 5/16" \times \varnothing 1/2" \times 1/16"$ Rondelle de ressort $\varnothing 5/16" \times \varnothing 1/2" \times 1/16"$ | 8 Pcs 8 Pièces |
| | |  | |
| 1 | C | Flat Washer $\varnothing 1/4" \times \varnothing 1/2" \times 1/16"$ Rondelle plate $\varnothing 1/4" \times \varnothing 1/2" \times 1/16"$ | 8 Pcs 8 Pièces |
| | |  | |
| | D | Allen Key 5/32" Clé Allen 5/32" | 1 Pc 1 Pièce |
| | |  | |
| | E | Wood Plug $\varnothing 1/2" \times 1/4"$ Bouton Enbois $\varnothing 1/2" \times 1/4"$ | 8 Pcs 8 Pièces |
| | |  | |

| | PART LIST | QTY' |
|---|---|-------------------|
| 1 | SEAT SIEGE | 1 PC 1 PIÈCE |
| |  | |
| 2 | LEGS PIEDS | 2 PCS 2 PIÈCES |
| |  | |



ASSEMBLY COMPLETED

Hardware Pack Location(s):

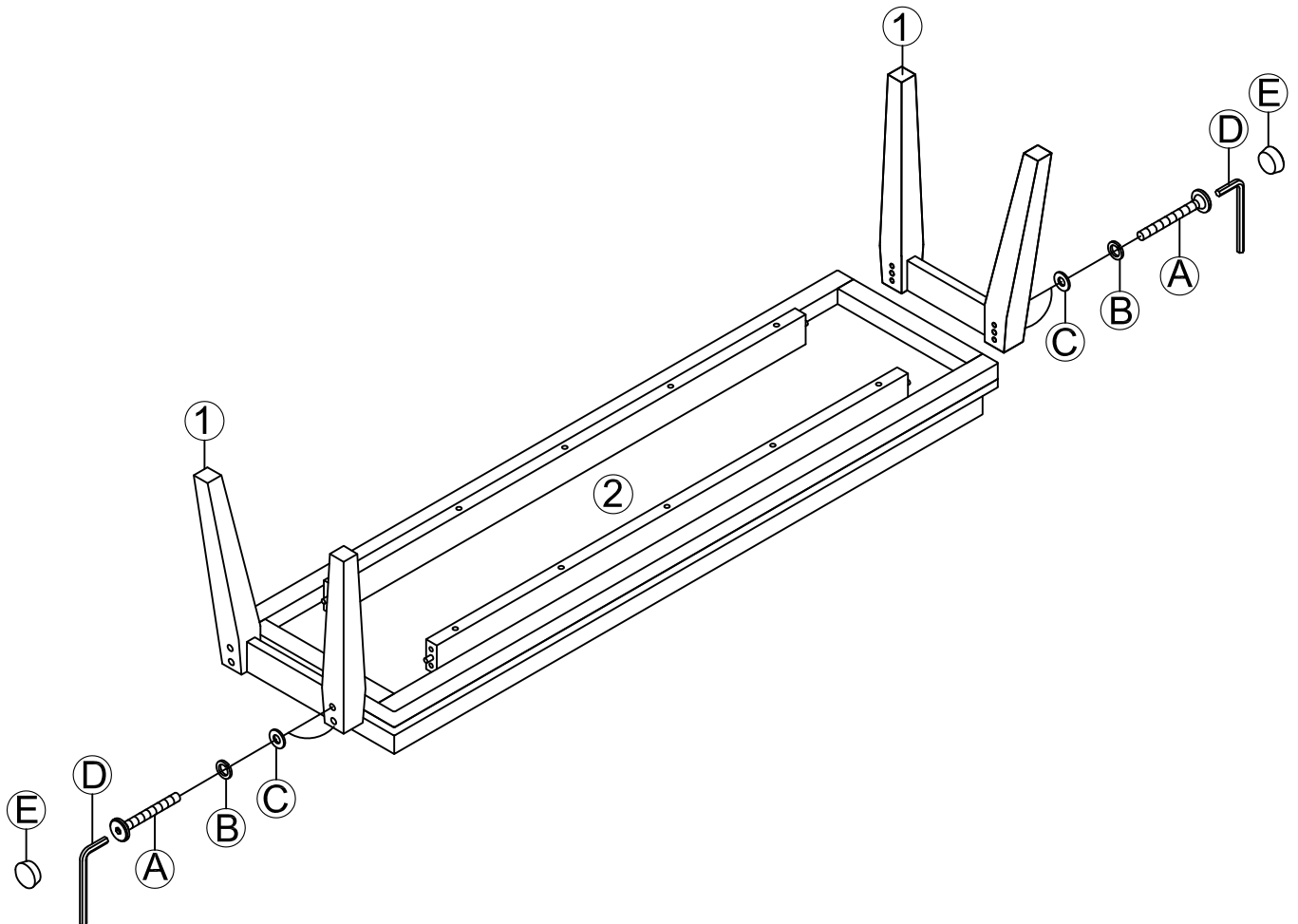
1105/6105-116-BEN DARK FINISH DINING BENCH

SKU# 42561058

***Caution: Please read all instructions carefully before starting the assembly process. These parts are cumbersome and heavy. Therefore, two people are recommended in order to prevent personal injury and insure the parts are not damaged during the assembly.

***Avertissement: veuillez lire toutes les instructions attentivement avant de commencer l'assemblage. Ces pièces sont encombrantes et lourdes. Il est recommandé d'être deux personnes pour l'assemblage afin de prévenir des blessures et/ou risquer d'endommager les pièces.

STEP 1
ÉTAPE 1



Attach the legs to the seat frame.