




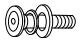

Assembly Instructions

PHOM 6116 ARM DINING CHAIR

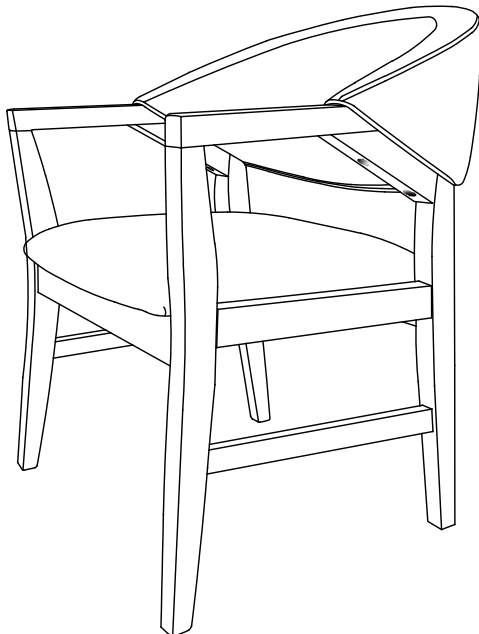
This product is manufactured by PHOM for Rooms To Go

SKU# 42661163

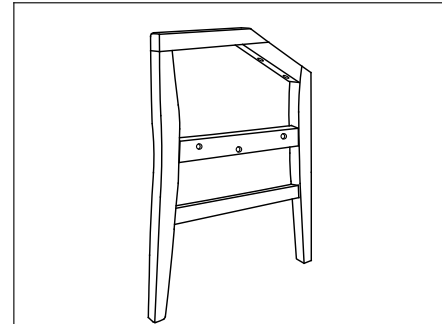
Hardware List:

Step	Code	Component		Qty
	1	Allen Wrench M4 X 55mm		1 Pc
1	2	JCBC Bolt With Washer 5/16" X 18T X 2"		6 Pcs
		Spring Washer 1/16" X 13mm		6 Pcs
		Flat Washer 1/16" X 18mm		6 Pcs
2	2	JCBC Bolt With Washer 5/16" X 18T X 2"		4 Pcs
		Spring Washer 1/16" X 13mm		4 Pcs
		Flat Washer 1/16" X 18mm		4 Pcs

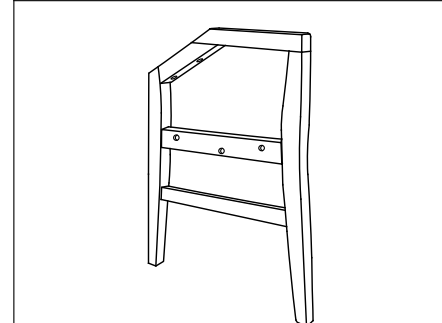
1. Please do not over tighten bolts until assembly is complete.
2. Please put all parts on a non-abrasive floor before assembly, and follow assembly steps to assemble your newly purchased product correctly and efficiently.



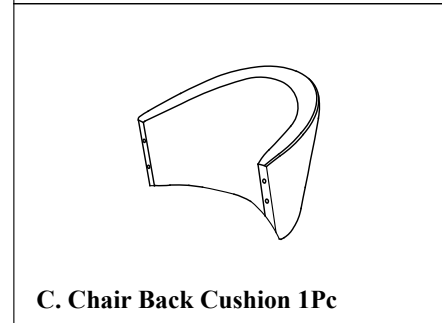
Parts List:



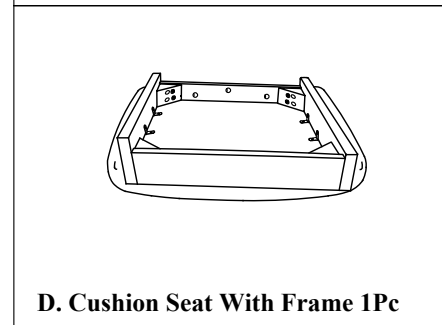
A. Leg Frame (Left)-1Pc



B. Leg Frame (Right)-1Pc



C. Chair Back Cushion 1Pc



D. Cushion Seat With Frame 1Pc

Hardware Pack Location(s):

DINING CHAIR SKU# 42661163



Assembly Instructions

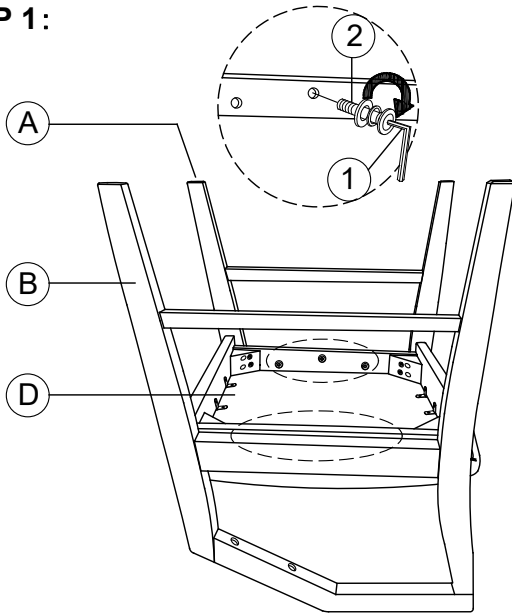
PHOM 6116 ARM DINING CHAIR

This product is manufactured by PHOM for Rooms To Go

SKU# 42661163

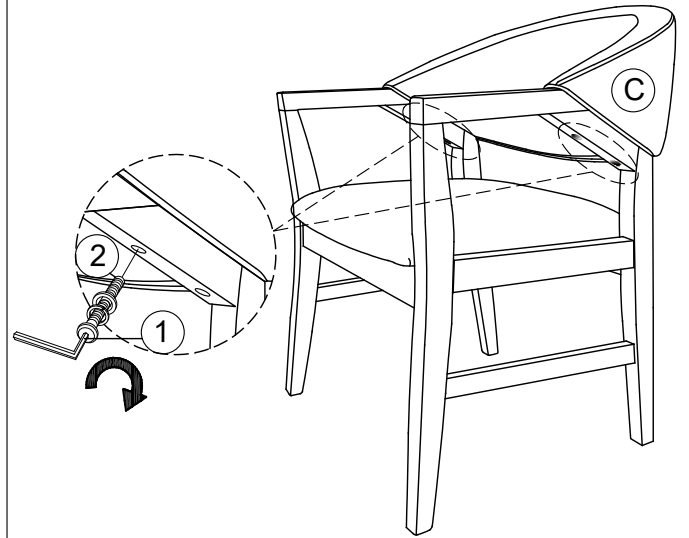
*****Cautions: Please read all instructions carefully before starting the assembly. Do not fully tighten the bolts initially until all the bolts are in place. To avoid causing damages to the thread, do not over tighten the bolts.**

STEP 1:



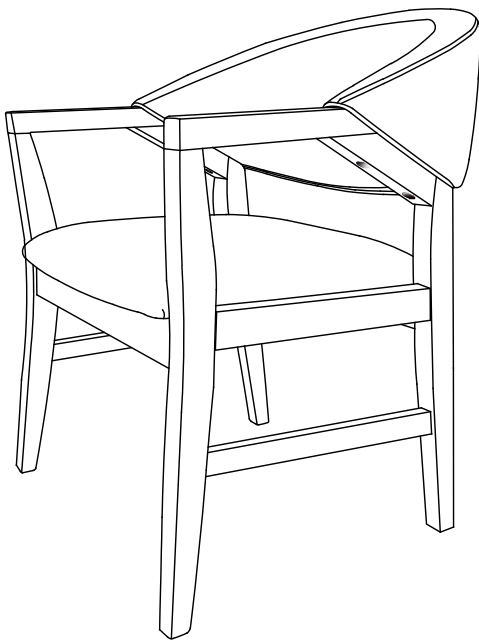
Attach Leg Frame Left and Right to Cushion Seat With Frame with JCBC Bolt With Washers using Allen Wrench.

STEP 2:



Attach Chair Back Cushion to Leg Frame Left and Right with JCBC Bolt With Washers using Allen Wrench.

STEP 3:



Turn the chair to upright position carefully. Assembly completed.