

Step	Code	Hardware	Q'TY
1	A	Hex-Nut Ø5/16"	4 Pcs
		Ecrou Hexagonal Ø5/16"	4 Pièces
1	B	Spring Washer Ø5/16" x Ø1/2" x 1/16"	4 Pcs
		Rondelle de ressort Ø5/16" x Ø1/2" x 1/16"	4 Pièces
1	C	Flat Washer Ø5/16" x Ø3/4" x 1/16"	4 Pcs
		Rondelle plate Ø5/16" x Ø3/4" x 1/16"	4 Pièces
2	D	Bolt Ø1/4" x 20 x 1-1/2"	3 Pcs
		Boulon Ø1/4" x 20 x 1-1/2"	3 Pièces
2	B	Spring Washer Ø5/16" x Ø1/2" x 1/16"	3 Pcs
		Rondelle de ressort Ø5/16" x Ø1/2" x 1/16"	3 Pièces
2	C	Flat Washer Ø5/16" x Ø3/4" x 1/16"	3 Pcs
		Rondelle plate Ø5/16" x Ø3/4" x 1/16"	3 Pièces
3	E	Bolt Ø1/4" x 20 x 3-3/8"	4 Pcs
		Boulon Ø1/4" x 20 x 3-3/8"	4 Pièces
3	B	Spring Washer Ø5/16" x Ø1/2" x 1/16"	4 Pcs
		Rondelle de ressort Ø5/16" x Ø1/2" x 1/16"	4 Pièces
3	C	Flat Washer Ø5/16" x Ø3/4" x 1/16"	4 Pcs
		Rondelle plate Ø5/16" x Ø3/4" x 1/16"	4 Pièces
4	F	Screw Ø8 x Ø4 x 1-1/2"	4 Pcs
		Vis a bois Ø8 x Ø4 x 1-1/2"	4 Pièces
5	G	Wrench 3" x 1/2"	1 Pc
		Clé 3" x 1/2"	1 Pièce
6	H	Allen Key 5/32"	1 Pc
		Clé Allen 5/32"	1 Pièce

	PART LIST	QTY'
1	CHAIR BACK	1 PC
	DOSSIER DE CHAISE	1 PIÈCE
2	SEAT	1 PC
	SIEGE	1 PIÈCE
3	FRONT LEG (LEFT - RIGHT)	2 PCS
	PIEDS AVANT (GAUCHE - DROIT)	2 PIÈCES
4	SIDE STRETCHER	2 PCS
	BARREAU	2 PIÈCES



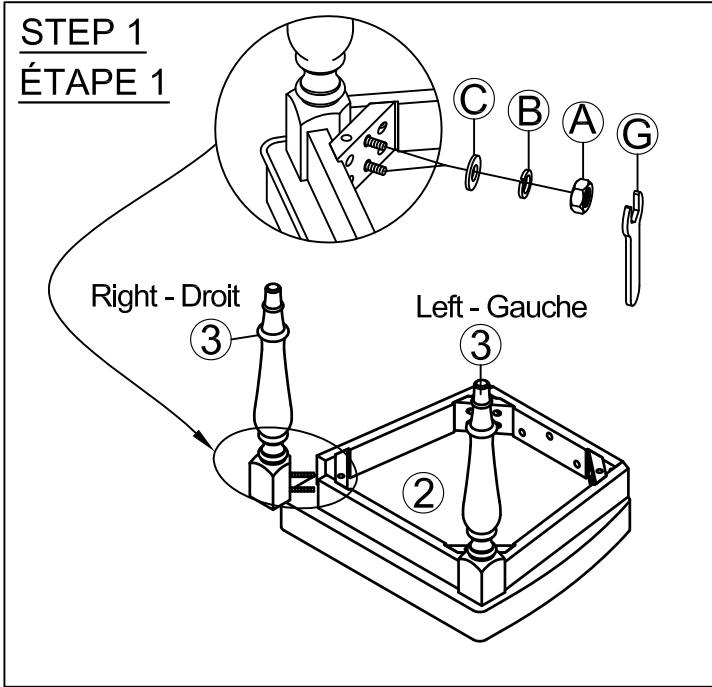
**Hardware Pack Location(s):**

6211-USC UPH insert Dining Chair

SKU: 42662115

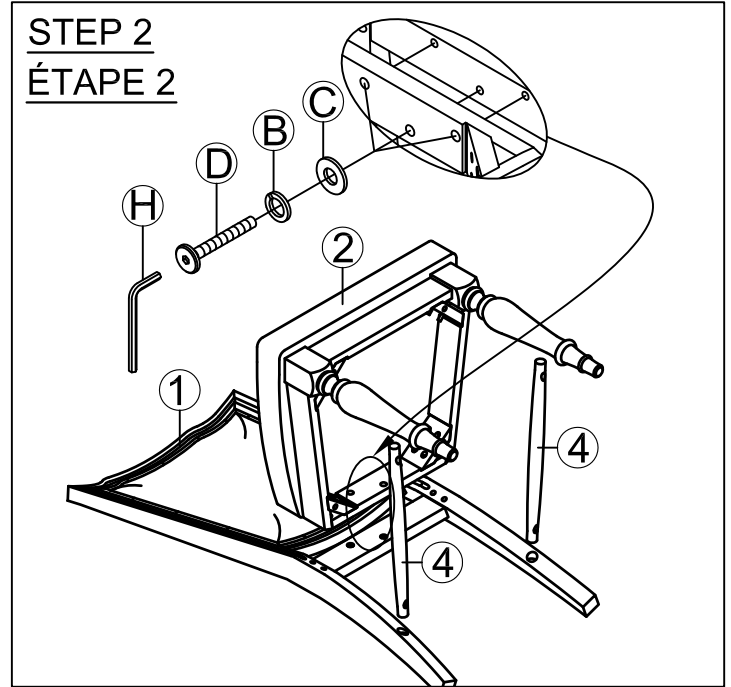
\*\*\*Caution: Please read all instructions carefully before starting the assembly process. These parts are cumbersome and heavy. Therefore, two people are recommended in order to prevent personal injury and insure the parts are not damaged during the assembly.

\*\*\*Avertissement: veuillez lire toutes les instructions attentivement avant de commencer l'assemblage. Ces pièces sont encombrantes et lourdes. Il est recommandé d'être deux personnes pour l'assemblage afin de prévenir des blessures et/ou risquer d'endommager les pièces.

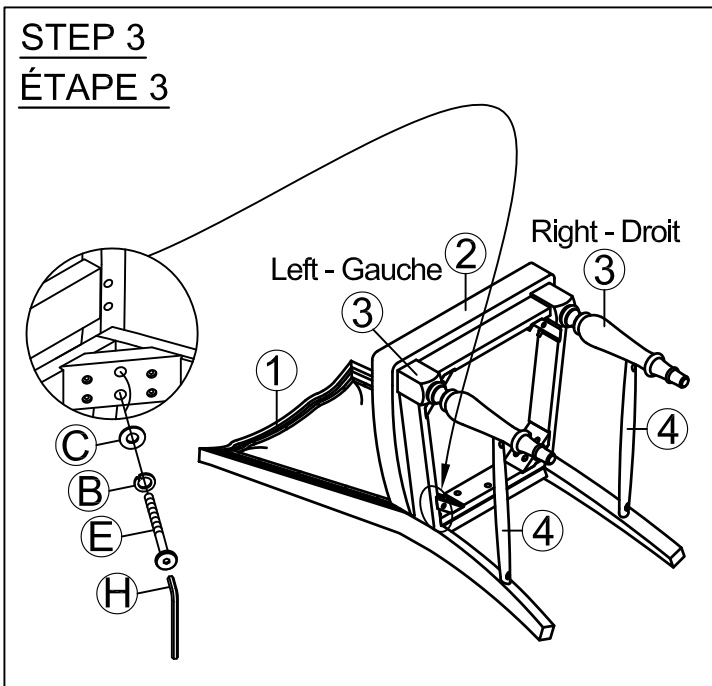


Attach the front legs to the seat frame.

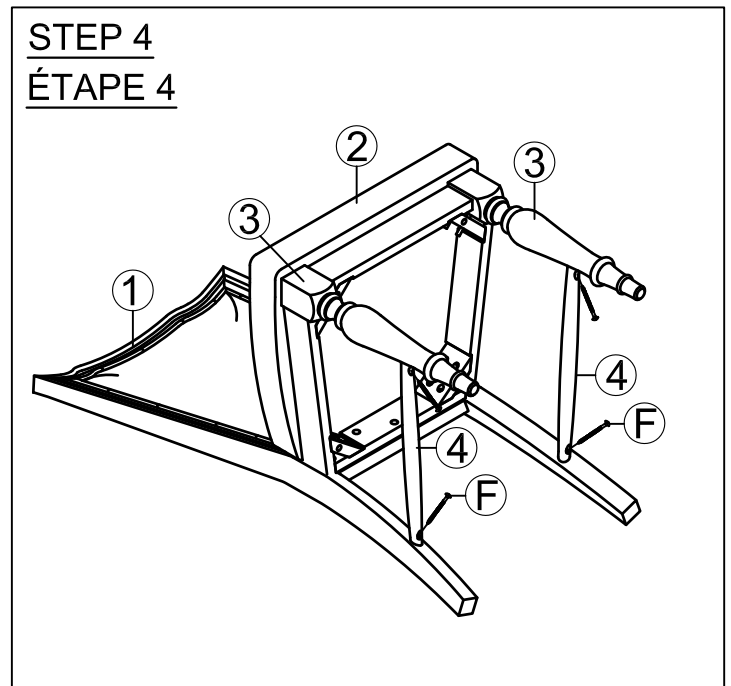
Note: Do not tighten all screws & bolts until the seat is fully assembly



Attach the seat frame & front legs to the chair back. At the same time attach the side stretchers to front legs and the chair back.



Screw the seat frame corner to the rear legs.



Attach the screws to the side stretchers.