







**THANK YOU FOR PURCHASING THIS QUALITY PRODUCT. BE SURE TO CHECK ALL PACKING MATERIALS CAREFULLY FOR SMALL HARDWARE WHICH MAY HAVE COME LOOSE INSIDE THE CARTON DURING SHIPMENT. IDENTIFY AND COUNT ALL HARDWARE AND COMPARE WITH THE HARDWARE LIST BELOW.**

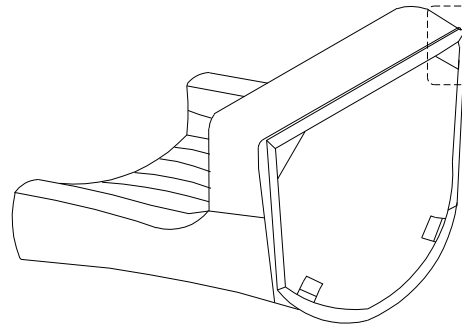
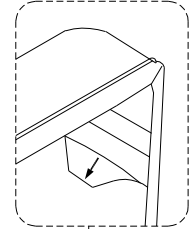
**PARTS LIST :**

No.	Description	Sketch	Q' TY
A	Chair Back		1
B	Back Leg (Right)		1
C	Back Leg (Left)		1
D	Front Legs		2

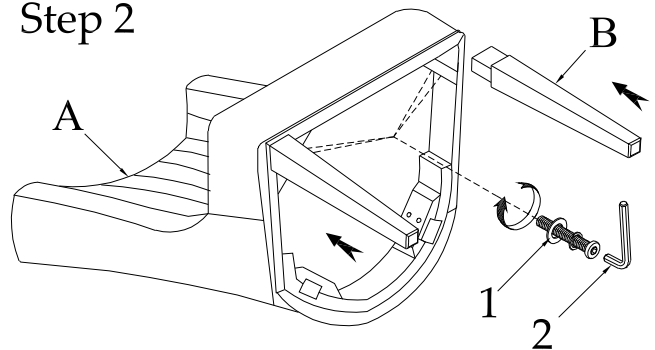
**LIST OF HARDWARE**

No.	Description			Q' ty
1		Bolt Flat washer Lock washer	$\Phi 5/16$ "x 18 x 2-1/4" $\Phi 5/16$ "x $\Phi 12$ x 3 $\Phi 5/16$ x $\Phi 19$ x 2	8
2		L-Allen Key	4mm	1

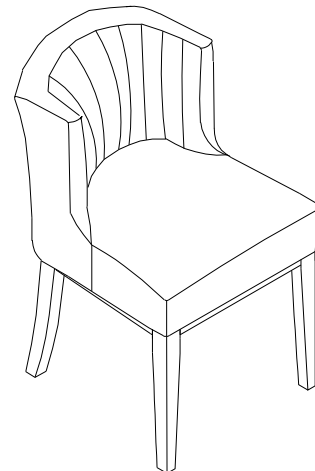
**Step 1: Pull fabric down to access bolt holes**



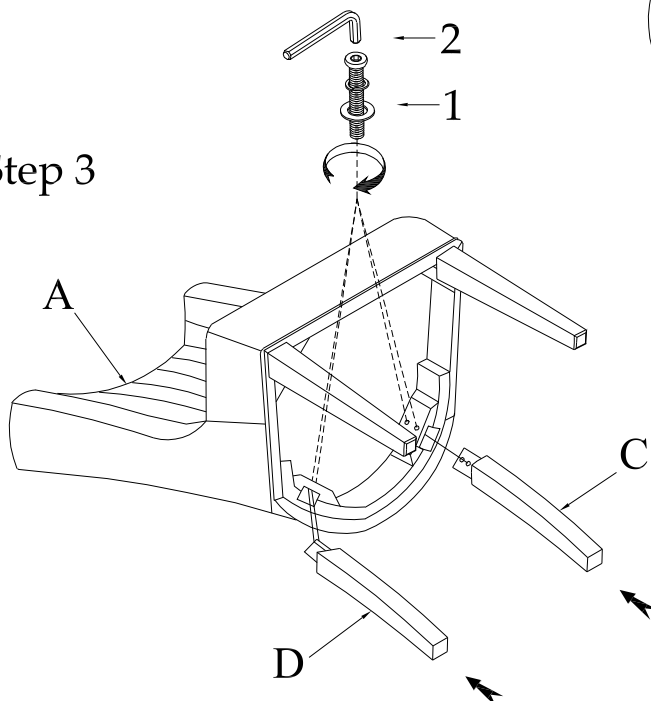
**Step 2**



**Complete**



**Step 3**



**Hardware Pack Location:**

**Inside Box: 68954 UPH SIDE CHAIR 2IN**

**SKU: 42668903**