

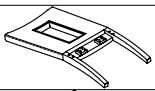
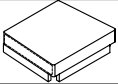

Assembly Instructions for

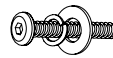
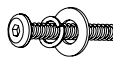

ENZO SIDE CHAIR

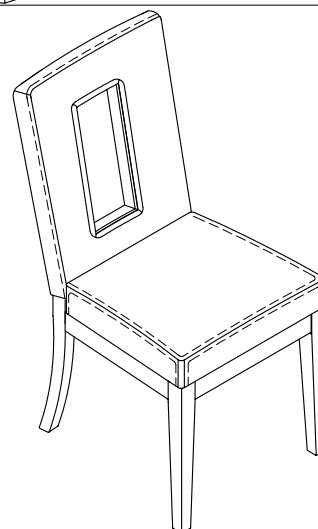
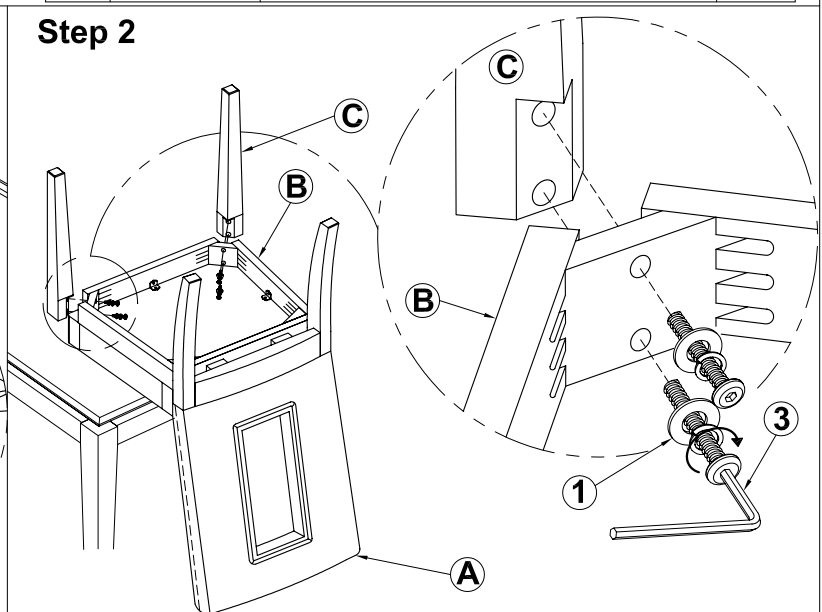
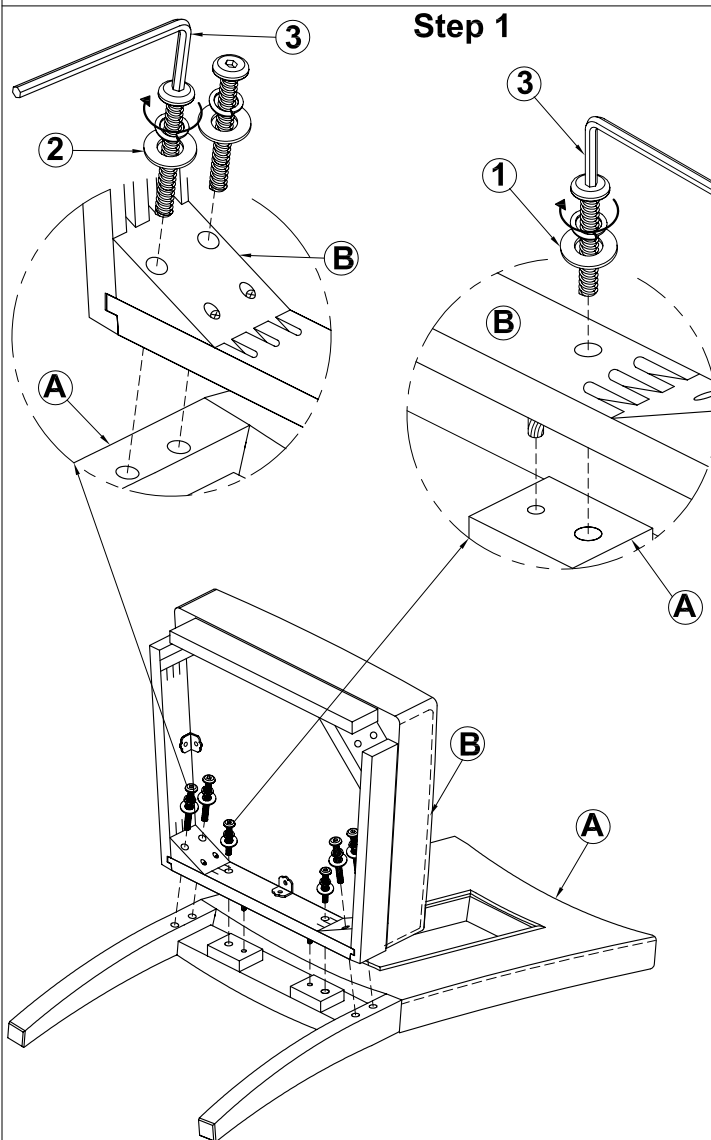
Thank you for purchasing this quality product. Be sure to check all packing material carefully for small parts, which may have come loose inside the carton during shipment. Identify and count all parts and compare with the **HARDWARE LIST** below.

Caution : Please read instructions thoroughly before unpacking assembly parts . Sharp, exposed staple tips can cause injury, therefore , for your protection , please remove any exposed staples used in packing .

1. We recommend that you should assemble this product with the assistance of another person ; this will make assembly easier , and will help to eliminate damage to the product or injury to persons during assembly.
2. Please do not over tighten screws or bolts .until the assembly is completed.
3. Please put all parts on a non - abrasive floor before assembly , and follow the assembly steps to assemble your newly purchased product correctly and efficiently.

NO.	PARTS LIST		Q'TY
A		Chair back	1
B		Seat	1
C		Front legs	2

NO.	HARDWARE LIST		Q'TY
1		Ø5/16"x18 x 2" Bolts	6
		Ø5/16" x Ø13x2mm Spring washer	
		Ø5/16" x Ø22x2mm Flat washer	
2		Ø5/16"x18x2 3/4" Bolts	4
		Ø5/16" x Ø13x2mm Spring washer	
		Ø5/16" x Ø22x2mm Flat washer	
3		Allen key (4mm)	1



Assembly completed

Made in VietNam