




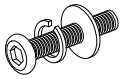

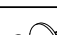
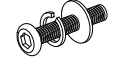


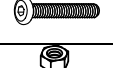



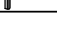

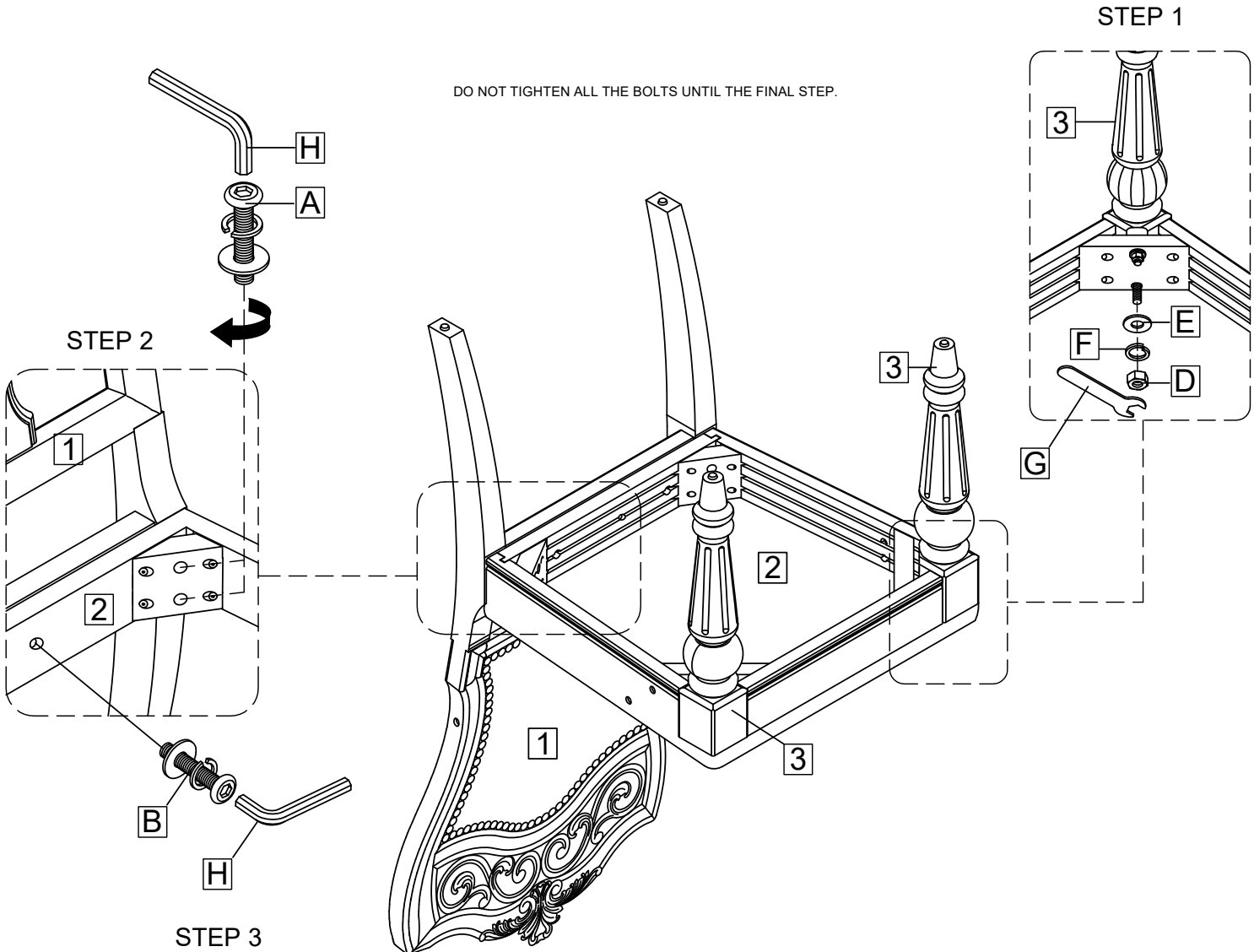


***Caution: Please read all instructions carefully before starting the assembly process. These parts are cumbersome and heavy. Therefore, two people are recommended in order to prevent personal injury and ensure the parts are not damaged during the assembly.

Code	Parts List	
1	Chair Back	 1Pc
2	Cushion Seat	 1Pc
3	Front Legs	 2Pcs
4	Left Arm	 1pc
5	Right Arm	 1pc

Step	Code	Hardware List	
2	A	Allen Bolt - Ø5/16x18x85mm	 4Pcs
		Flat washer - Ø5/16x19x1.5mm	 4Pcs
		Lock washer - Ø5/16"	 4Pcs
3+4	B	Allen Bolt - Ø1/4x20x38mm	 5Pcs
		Flat washer - Ø1/4x12x1.5mm	 5Pcs
		Lock washer - Ø1/4"	 5Pcs
5	C	Allen Bolt - Ø1/4x20x38mm	 2Pcs
1	D	Nut - Ø5/16"	 4Pcs
	E	Flat washer - Ø5/16x19x1.5mm	 4Pcs
	F	Lock washer - Ø5/16"	 4Pcs
	G	Wrench - Ø5/16"	 1Pc
2+3+4+5	H	Allen Key - 4mm	 1Pc



***Caution: Please read all instructions carefully before starting the assembly process. These parts are cumbersome and heavy. Therefore, two people are recommended in order to prevent personal injury and insure the parts are not damaged during the assembly.

