


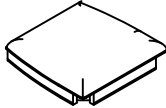

Assembly instructions for UPHOLSTERED SIDE CHAIR 8738-253


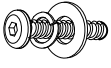
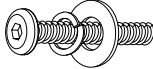
RIEE 42687383

Page 1 of 2

Caution: Please read instructions thoroughly before unpacking assembly parts. Sharp, exposed staple tips can cause injury, therefore, for your protection, please remove any exposed staples used in packing.

1. We recommend that you should assemble this product with the assistance of another person; this will make assembly easier, and will help to eliminate damage to the product or injury to persons during assembly.
2. Be sure to check all packing materials carefully for small parts that may have come loose inside the carton during shipment.
3. Please do not over tighten screws or bolts.
4. Please put all parts on a non-abrasive floor before assembly, and follow the assembly steps to assemble your newly purchased product correctly and efficiently.

PARTS LIST	 (A) Chair Back	 (B) Seat Cushion	 (C) Front Leg
SIDE CHAIR	1 piece	1 piece	2 pieces

NO.	HARDWARE LIST		QUANTITY
1		(L57*4MM) ALLEN KEY	1 piece
2		(Ø1/4 * 18 * 1-1/2"L) SHORT BOLT	2 pieces
		(Ø1/4*11*1.2MM) SPRING WASHER	2 pieces
		(Ø1/4*19*1.5MM) FLAT WASHER	2 pieces
3		(Ø5/16 * 18 * 3-1/4"L) LONG BOLT	8 pieces
		(Ø5/16*13*1.2MM) SPRING WASHER	8 pieces
		(Ø5/16*19*1.5MM) FLAT WASHER	8 pieces

Assembly instructions for UPHOLSTERED SIDE CHAIR 8738-253

RIEE 42687383

Page 2 of 2

Step 1 : Unpack carton and place all parts on a non-abrasive floor.

Step 2 : Remove plastic cover from upholstered seat cushion (B)

Step 3 : Attach the chair back frame (A) to the Upholstered seat frame(B) by using 2 flat washers, 2 spring washers and 2 bolts (#2). Do not fully tighten all bolts yet.

Attach the chair back frame (A) to the Upholstered seat frame (B) by using 4 flat washers, 4 spring washers and 4 bolts (#3) thru the pre-drilled holes in the rear corner blocks of the wood seat frame and into the chair back frame (A).

Use hand to tighten bolts securely . (Don't use Allen Key (1) yet).

Step 4 : Attach front legs (C) to the corner blocks of the wood seat frame (B) by using flat washers, spring washers and bolts (#3) thru the pre-drilled holes in the front corner blocks of the wood seat frame. Then use hand to tighten all bolts securely.

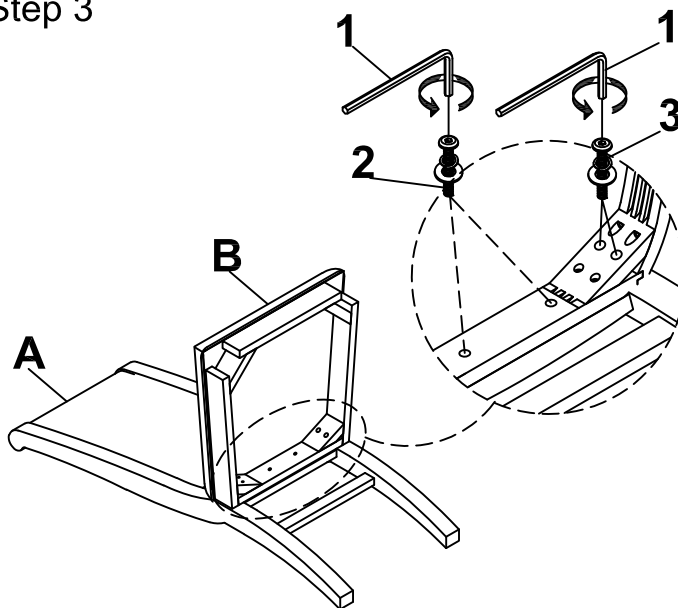
(Don't use Allen Key (1) yet).

Most floors have slight irregularities that can effect chair leveling. If your chair is uneven when placed in its desired location , perform the following steps:

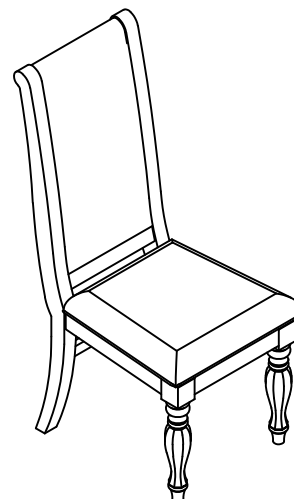
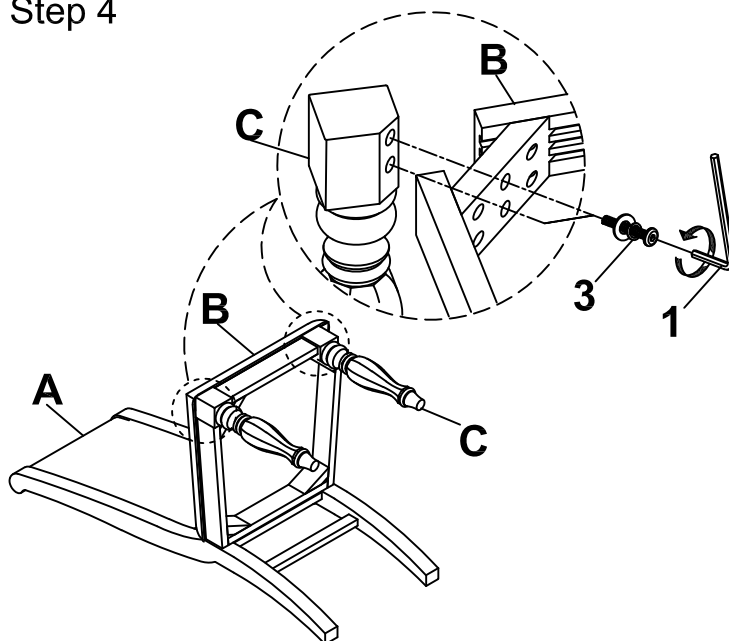
1. Loosen all bolts.
2. Put the chairs at the desired location.
3. Gently push downward on the front of seat and also at the back edge of seat until all four legs rest on floor.
4. Once the chair is level, no wobbly issue, now use Allen key to tighten all bolts securely again.

Step 5 : Securely tighten bolts (#2),(#3) by using Allen Key (1) .

Step 3



Step 4



Assembly completed