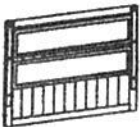





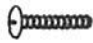




Assembly Instructions

Item#: 282/273-314
 S272/S273-314
 Description: Server Hutch

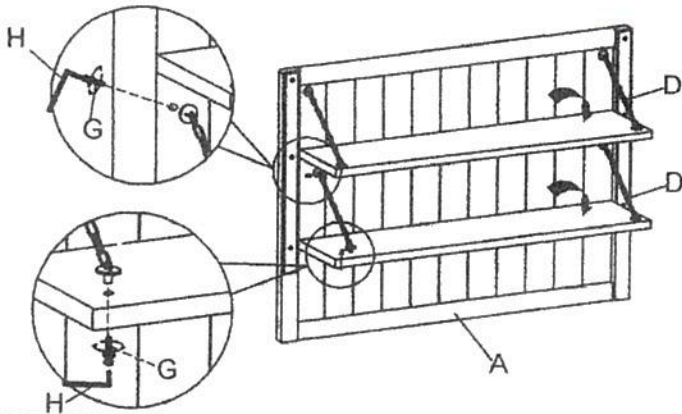
42802822

Thank you for purchasing this quality product. Be sure to check all packing materials carefully for small parts that may come loose inside the carton during shipment.

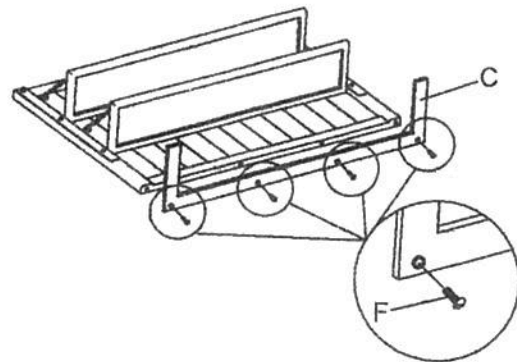
Parts List			
No.	Drawing	Description	Qty
A		Server Hutch	1pc
B		Angle Metal Support	2pcs
C		Base Rail	1pc
D		Connecting Chain	4pcs

Hardware List				
No.	Drawing	Description	Size	Qty
E		Umbrella head Bolt	$\text{Ø}\frac{1}{4} \times 1\frac{3}{4}$ "	2pcs
F		Umbrella head Bolt	$\text{Ø}\frac{1}{4} \times \frac{3}{4}$ "	8pcs
G		Allen Bolt with Washers	$\text{Ø}\frac{1}{4} \times \frac{5}{8}$ "	12pcs
H		Allen Wrench	$\text{Ø}\frac{1}{4}$ "	1pc
I		Metal Plate		2pcs

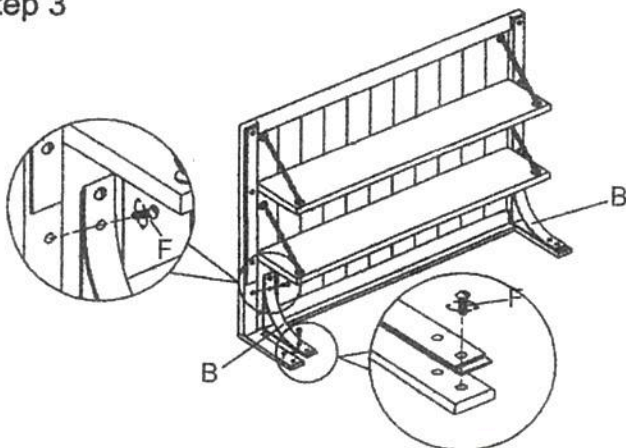
Step 1



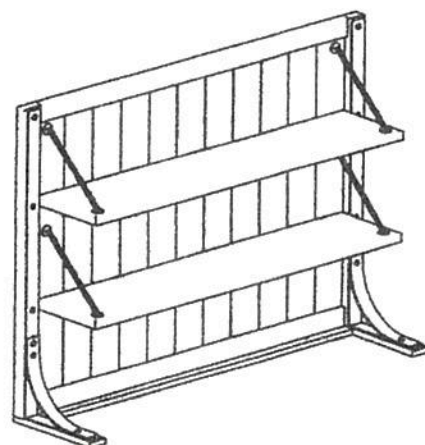
Step 2



Step 3



Step 4

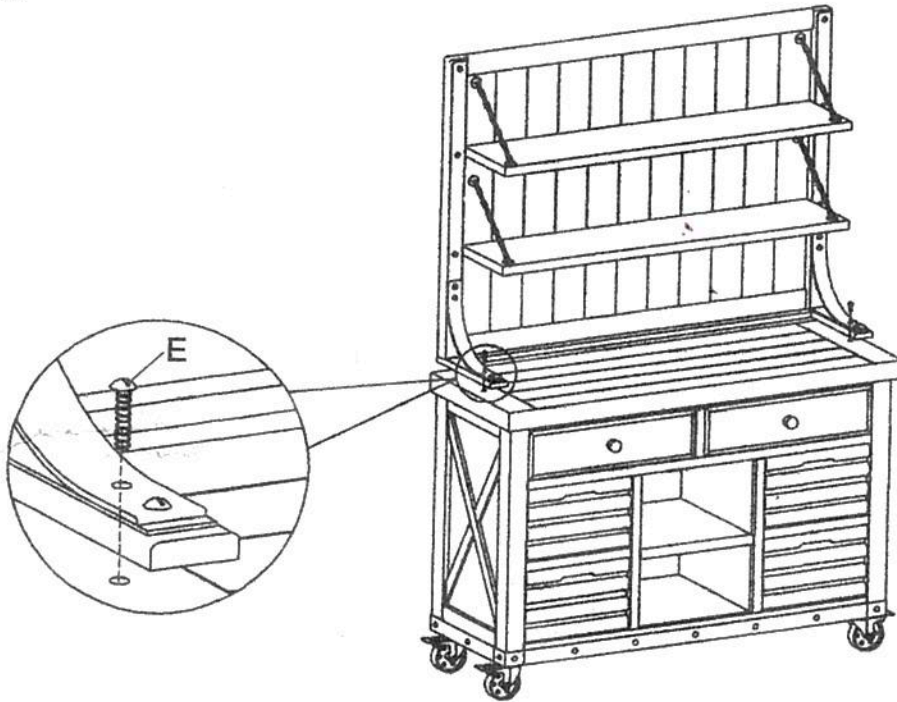


Assembly Instructions

Item#: 282/273-314
S272/S273-314
Description: Server Hutch

Thank you for purchasing this quality product. Be sure to check all packing materials carefully for small parts that may come loose inside the cart during shipment.

Step 5



Step 6

