

Manufactured by (HFSB) for Rooms To Go

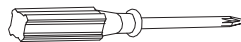
Thank you for purchasing this quality product. Be sure to check all packing material carefully for small parts. Which may have come loose inside the carton during shipment. Identify and count all parts and compare with the hardware list as below:

### PARTS LIST

ITEM	DIAGRAM	DESCRIPTION	QUANTITY
<b>A</b>		CHAIR SEAT	1 Pc
<b>B</b>		FRONT LEG LEFT with sticker (L)	1 Pc
<b>C</b>		FRONT LEG RIGHT with sticker (R)	1 Pc
<b>D</b>		BACK LEG LEFT with sticker (L)	1 Pc
<b>E</b>		BACK LEG RIGHT with sticker (R)	1 Pc
<b>F</b>		LEFT CROSSBAR with sticker (L)	1 Pc
<b>G</b>		RIGHT CROSSBAR with sticker (R)	1 Pc

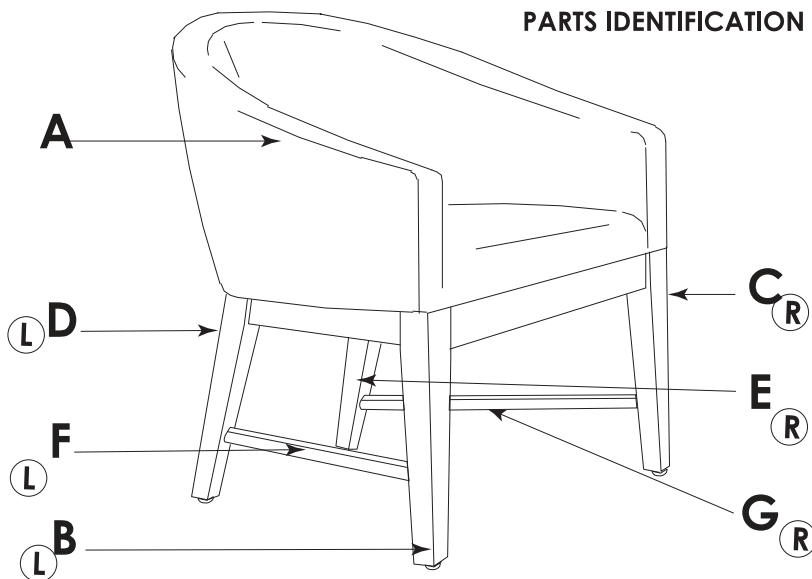
### HARDWARE LIST

ITEM	DIAGRAM	DESCRIPTION	DIMENSION	QUANTITY
<b>1</b>		ALLEN KEY	M4	1 Pc
<b>2</b>		JCBC BOLT	M6 x P1.0 x 70mm	8 Pcs
		SPRING WASHER	M6 x 12mm	8 Pcs
		FLAT WASHER	M6 x 19 x 1.0mm	8 Pcs
<b>3</b>		CSK SCREW	M4 x 38mm	4 Pcs



TOOLS REQUIRED - Household Screwdriver (not provided)

### PARTS IDENTIFICATION



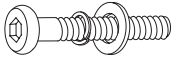
### Hardware Pack Location(s):

CURVED DIN CHAIR, SKU # 42720260, 42820262, 42720284, 42820286  
VERSION # - 22 JANUARY 2024

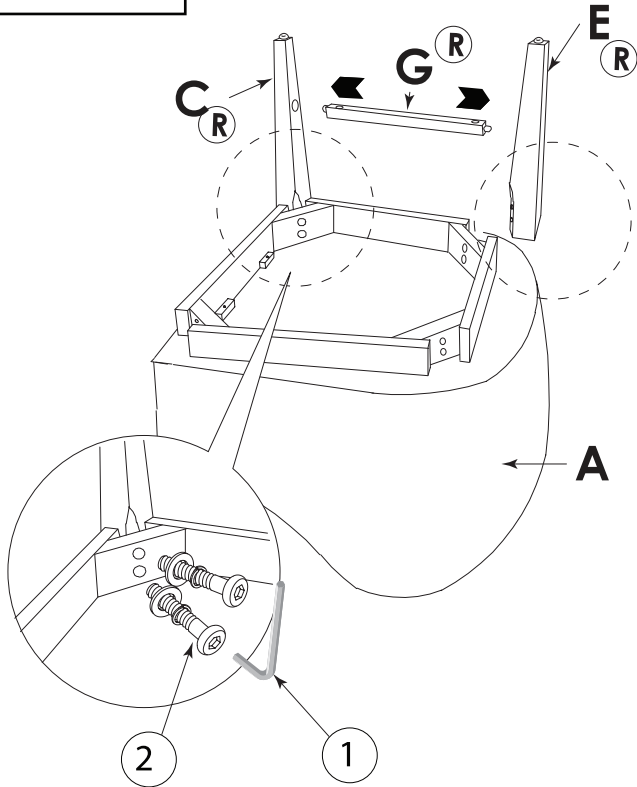
# ASSEMBLY STEPS

## STEP 1

2 x 4 sets

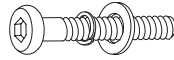


Assemble the Front Legs Right (C) & the Back leg Right (E) into the seat frame (A), and simultaneously, assemble the Cross bar (G) to the desired holes in both legs. then, align bolt (2) together with Spring washer & Flat washer. Tighten the bolts using Allen key (1).

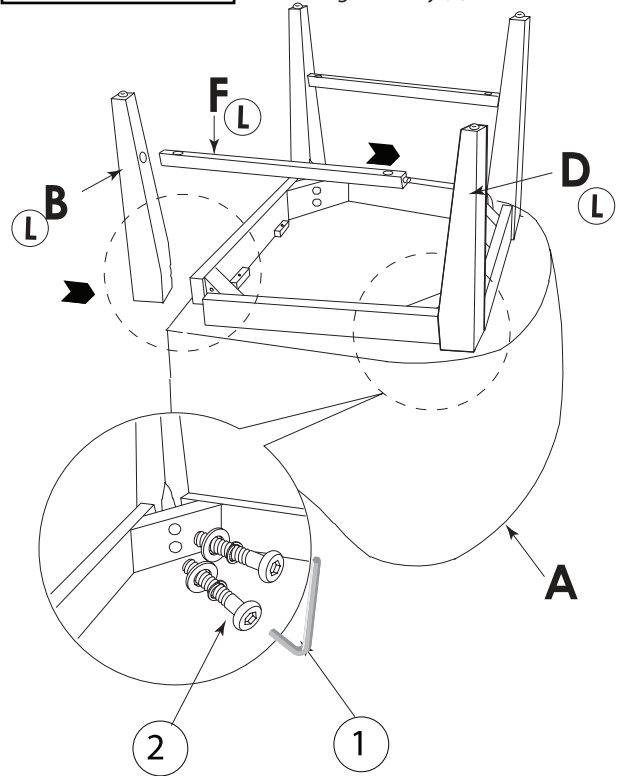


## STEP 2

2 x 4 sets



Assemble the Front Legs left (B) & the Back leg left (D) into the seat frame (A), and simultaneously, assemble the Cross bar with sticker (F) to the provided holes in both legs. Then, align bolt (2) together with Spring washer & Flat washer. Tighten the bolts using Allen key (1).



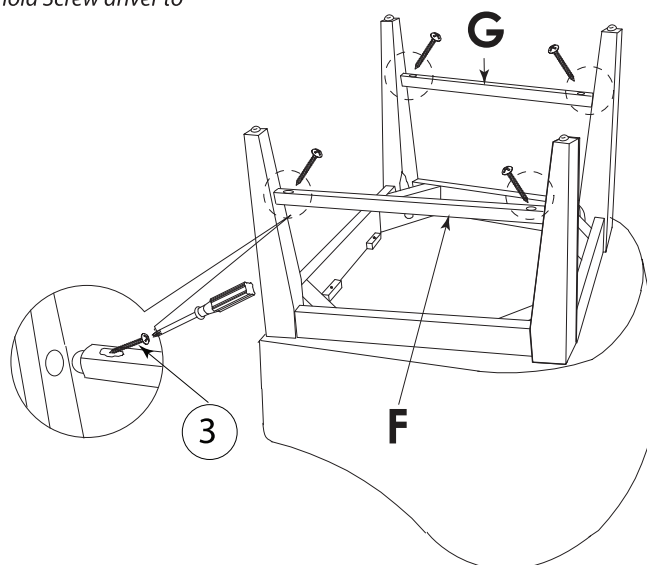
## STEP 3

3 x 4pcs



Fit the Cross bar with (F) & Cross bar (G) using Screw (3). Use a \*household Screw driver to tighten screws.

\*House hold Screwdriver is not provided.



## NOTE:

To ensure the chair stands leveled, put the chair upright on a flat & hard surface. Adjust it and ensure all the legs are balanced so they do not wobble.

Once adjusted, then fully tighten all the bolts and screws while making sure that the unit remains level on a flat surface.