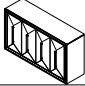

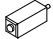

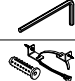


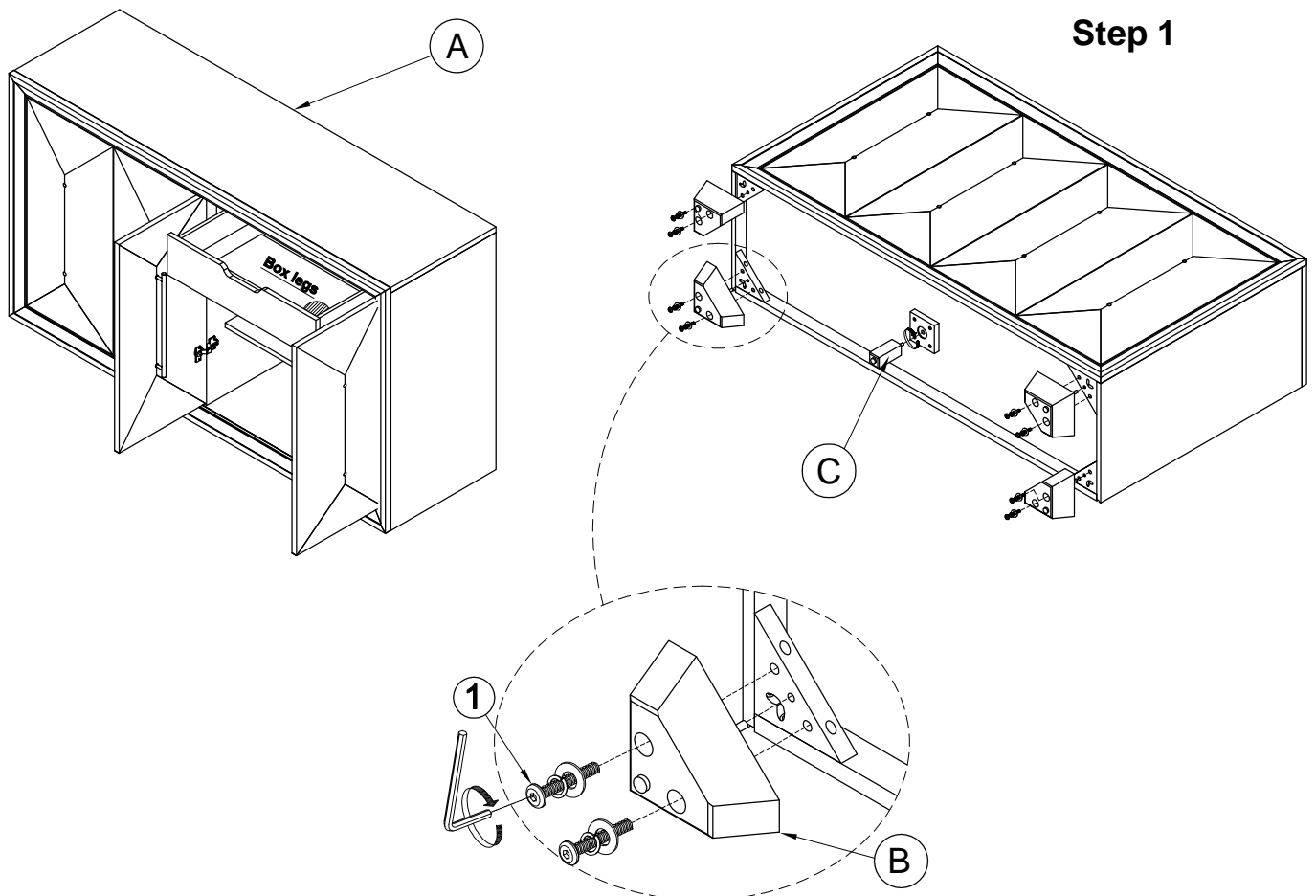
Thank you for purchasing this quality product. Be sure to check all packing material carefully for small parts, which may have come loose inside the carton during shipment. Identify and count all parts and compare with the HARDWARE LIST below.

Caution : Please read instructions thoroughly before unpacking assembly parts.

1. We recommend that you should assemble this product with the assistance of another person; this will make assembly easier, and will help to eliminate damage to the product or injury to persons during assembly.
2. Please do not over tighten screws or bolts until the assembly is completed.
3. Please put all parts on a non - abrasive floor before assembly, and follow the assembly steps to assemble your newly purchased product correctly and efficiently.

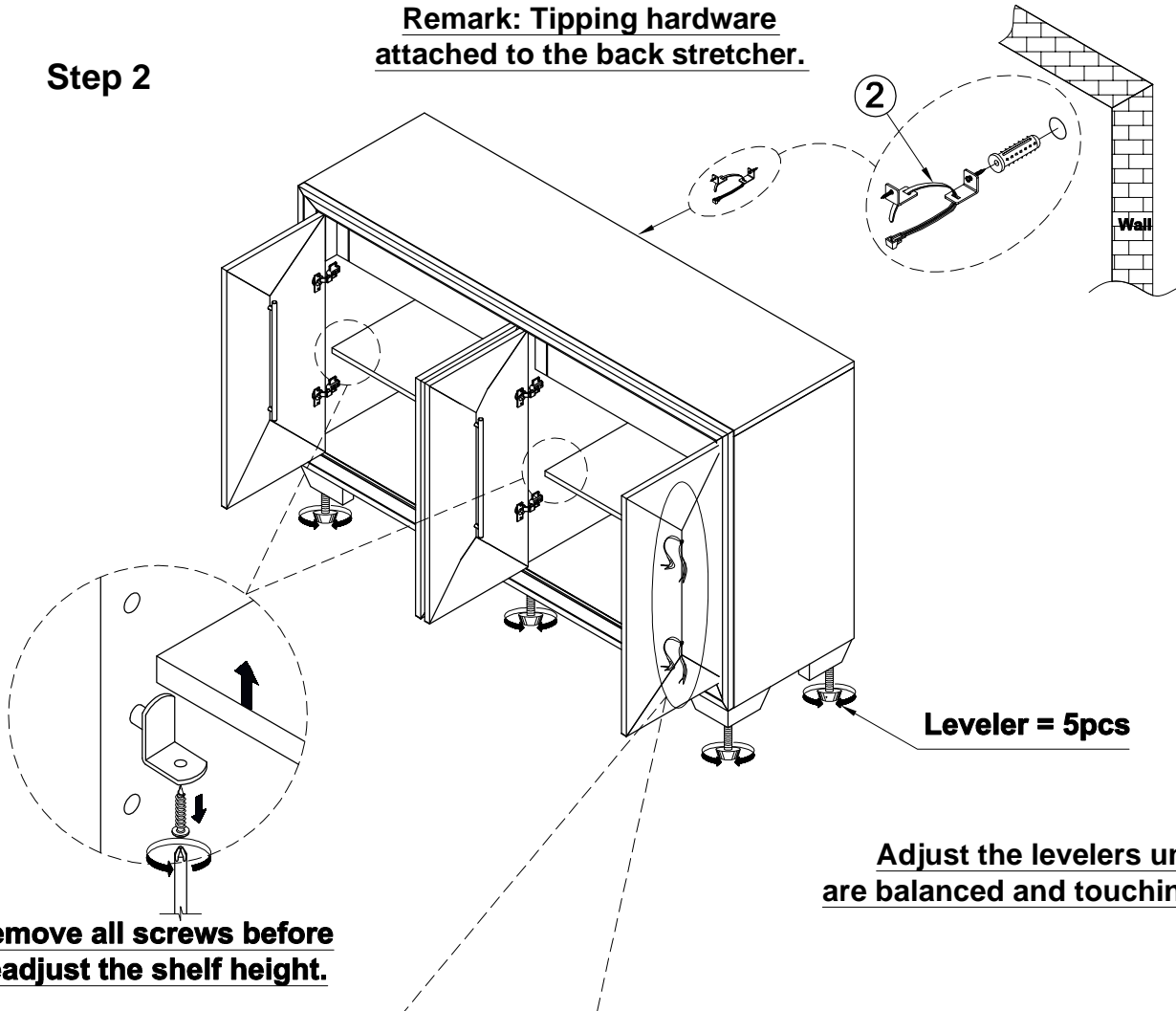
NO.	PARTS LIST		Q'TY
A		Cabinet	1
B		Legs	4
C		Support leg	1

NO.	HARDWARE LIST		Q'TY
1		Ø5/16" x 18x3 ¹ / ₈ " L Bolts	8
		Ø5/16"xØ13x2mm Spring washer	8
		Ø5/16"xØ22x2mm Flat washer	8
2		Allen wrench (4mm)	1
		Furniture tipping restraint	1



Step 2

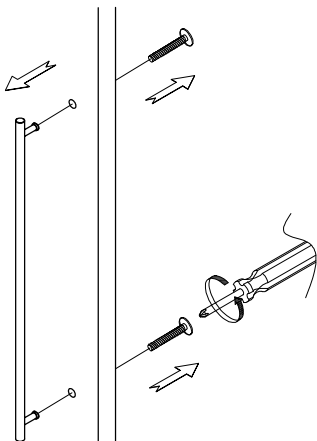
Remark: Tipping hardware attached to the back stretcher.



Remove all screws before readjust the shelf height.

Adjust the levelers until they are balanced and touching the floor.

#1-The handle need to disassemble from the inside of door to the outside where are located property after unpacking



#2 - install door handle.

