

# Assembly Instructions





HMIS 3301-07 Sever

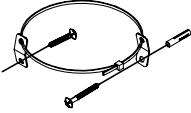

SKU# : 42733015

HMIS 3303-06 Sever


SKU# : 42933033

**\*\*\*Caution:** Please read all instructions carefully before starting the assembly process. These parts are cumbersome and heavy. Therefore, two people are recommended in order to prevent personal injury and ensure the parts are not damaged during the assembly

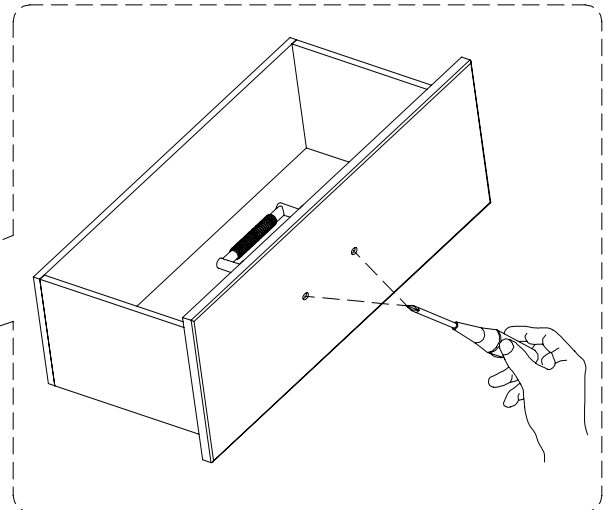
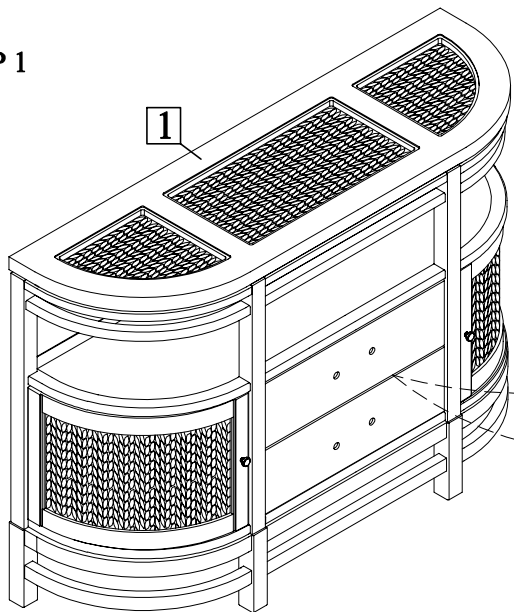
| Code |                 | PARTS LIST:   |     |
|------|-----------------|---|-----|
| 1    | Server          |  | 1Pc |
| 2    | Rectangle Glass |  | 1Pc |
| 3    | Left Glass      |  | 1Pc |
| 4    | Right Glass     |  | 1Pc |

| Step | Code | Hardware List              |   |      |
|------|------|----------------------------|---|------|
| 4    | A    | Screw - #8x3x50mm          |  | 1Pc  |
|      |      | Screw - #8x3x15mm          |   | 1Pc  |
|      |      | Metal Anchor - 1.2x15x15mm |   | 2Pcs |
|      |      | Restrain Strap - 5x7x250mm |   | 1Pc  |
|      |      | Fisher - Ø1/4x40mm         |   | 1Pc  |
| 3    | B    | Plastic Sucker             |  | 2Pcs |

## TOOLS REQUIRED (NOT PROVIDED)

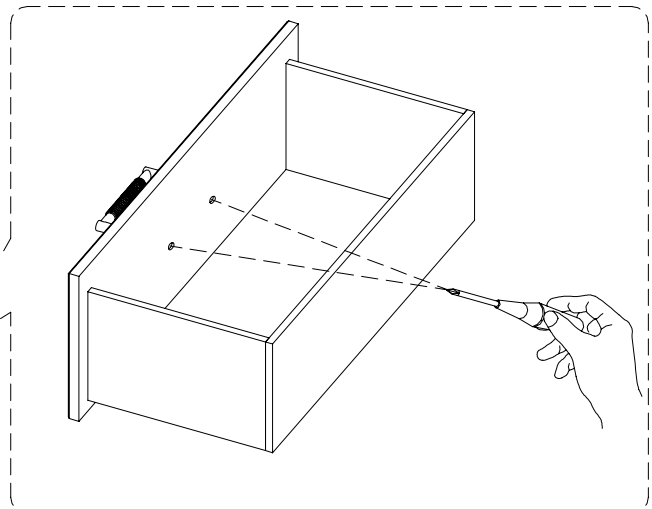
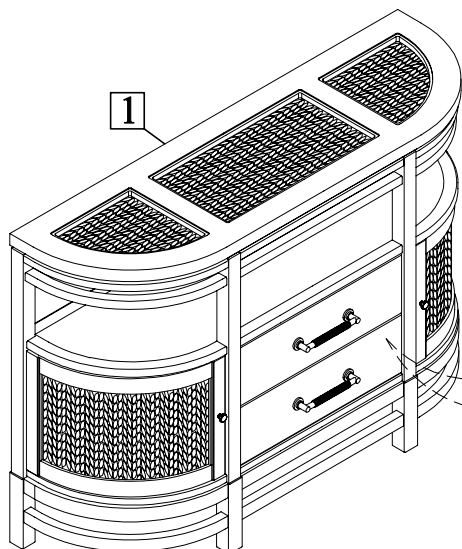
| Description          | Sketch  |
|----------------------|---|
| Phillips screwdriver |  |

### STEP 1



Use a screwdriver to remove the two bolts.

### STEP 2



Remove the handle out, then use the screwdriver to tighten bolts from the previous steps as shown in the picture.

This product is manufactured by HMIS for

**ROOMS TO GO** ►

# Assembly Instructions

HMIS 3301-07 Sever

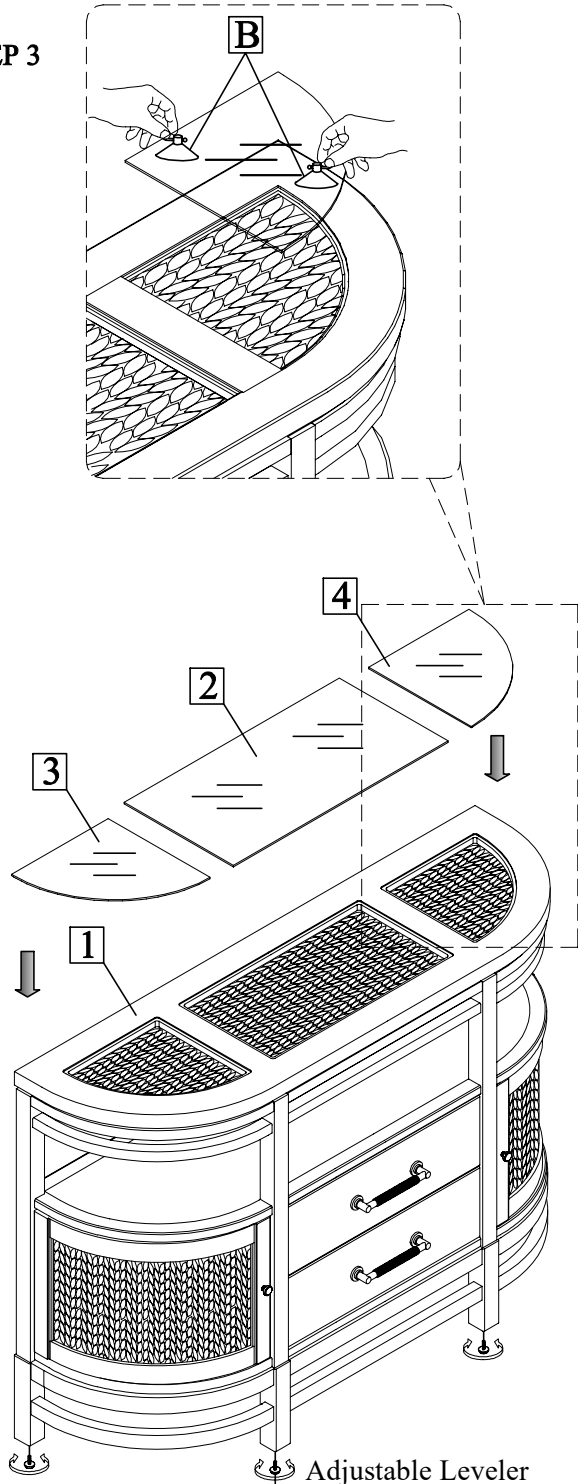
SKU# : 42733015

HMIS 3303-06 Sever

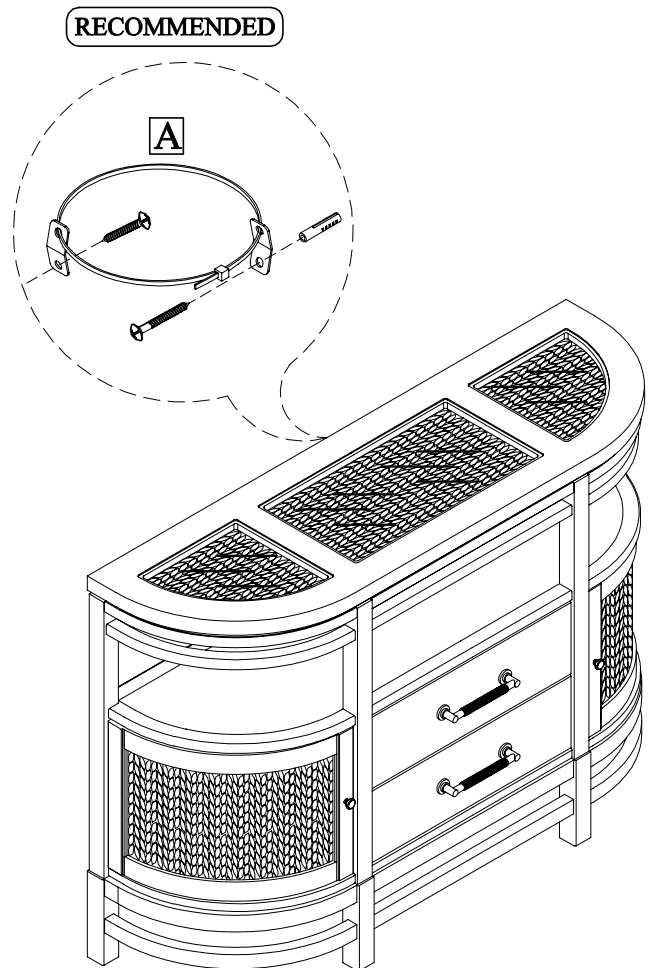
SKU# : 42933033

\*\*\*Caution: Please read all instructions carefully before starting the assembly process. These parts are cumbersome and heavy. Therefore, two people are recommended in order to prevent personal injury and ensure the parts are not damaged during the assembly

STEP 3



STEP 4



Use the plastic sucker (B) to handle the glass by placing them on in the position shown on the glass, then put the glass in the position shown. Recommend to keep plastic sucker (B) for future use.

This product is manufactured by HMIS for

**ROOMS TO GO** ▶

MADE IN VIETNAM

2 OF 2