

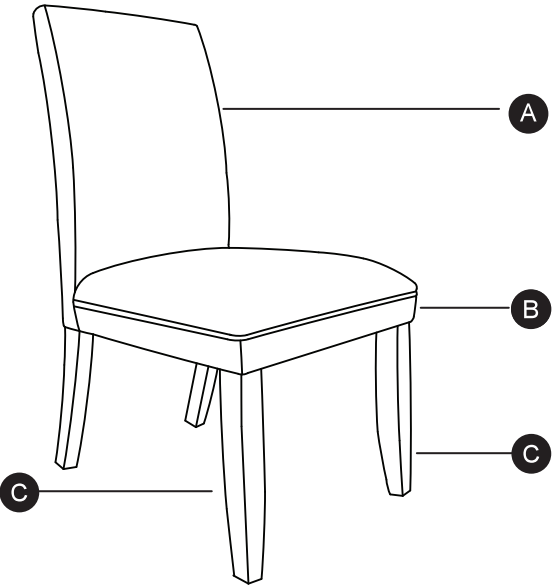
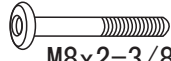
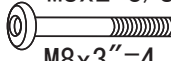
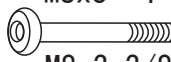

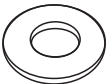

# ASSEMBLY INSTRUCTION

TEAE 3304-DWH, 3304-DOR, 3304-DGR, 3304-DBU,  
3304-DGY, 3304-DBR, 3304-DPW (SKU #42333043, 42433045,  
42533047, 42633049, 42733041, 42833043, 42233041)

## GENERAL INFORMATION

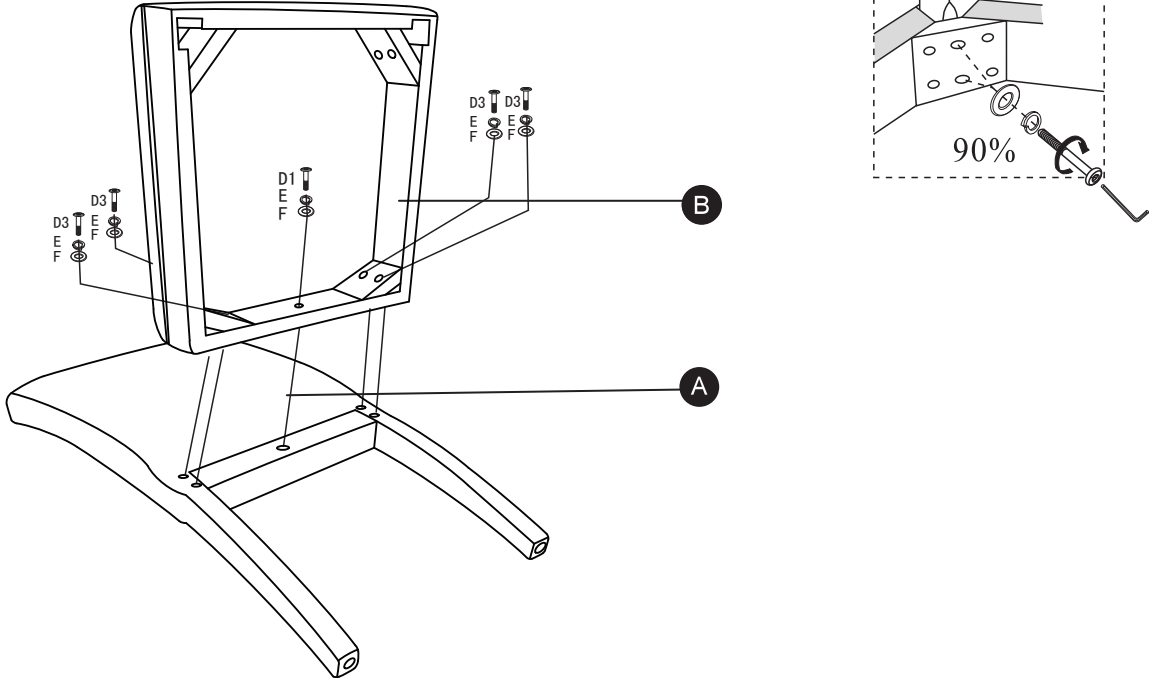
- (1) Please read this assembly instruction prior assembling. To avoid damage, assemble this product on a non-abrasive surface. Do not fully tighten any bolts until you are sure all component parts are assembled correctly.
- (2) Make sure all bolts are fully tightened before this product is used.
- (3) Non Abrasive cleaning product.
- (4) The fitting pack contains SMALL ITEMS which should be KEPT AWAY FROM YOUNG CHILDREN.

## PARTS & HARDWARE LIST

	A	Chair Back	1 PC	B	Seat	1 PC
	C	Front Leg	2 PCS			
		 D1 M8x2-3/8"=1  D2 M8x3"=4  D3 M8x3-3/8"=4				
	D	Bolt	9 PCS	E	Spring Washer	9 PCS
				 M6		
F	Flat Washer	9 PCS	G	Allen Key	1 PC	

## ASSEMBLY STEP

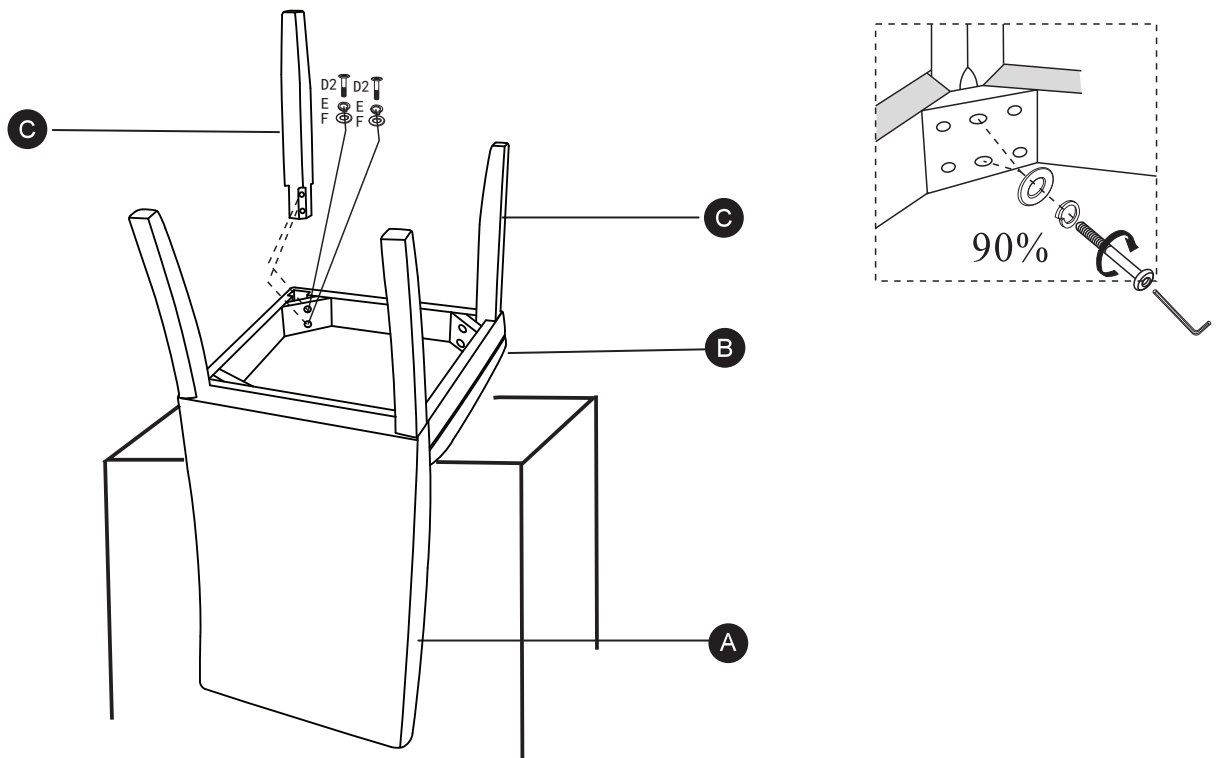
**1**



Put the Chair Back(A) on a non-abrasive table. Attach the Seat(B) to Chair Back(A) using five Bolts( D1,D3), five Spring Washers(E) and five Flat Washers( F) with the provided Allen Key(G). Do not fully tighten any bolt, but 90%.

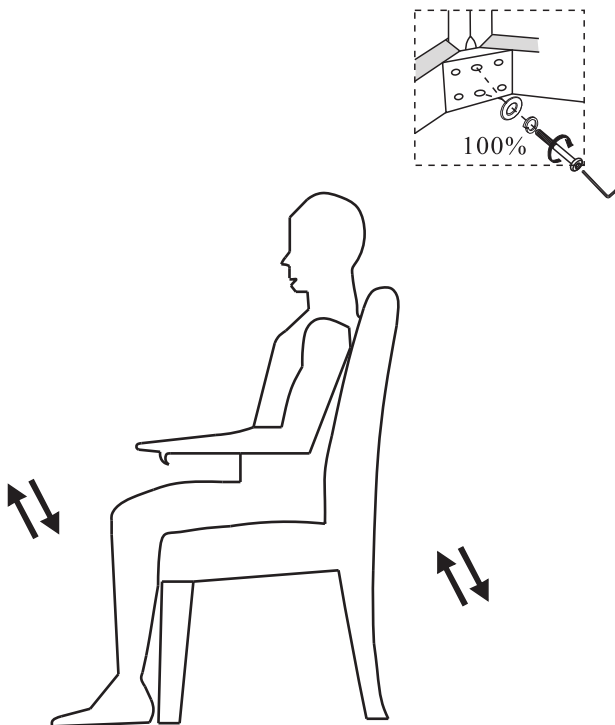
# ASSEMBLY INSTRUCTION

2



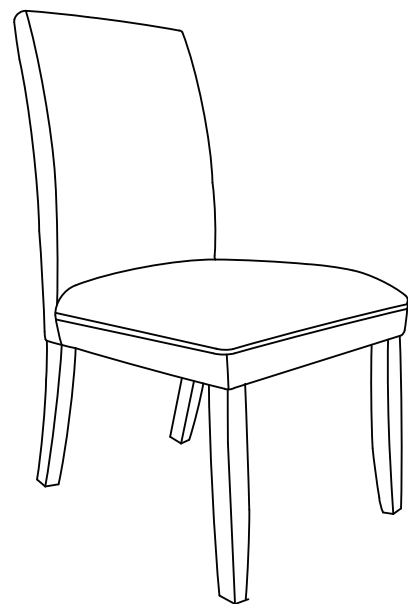
Put the Seat(B) on a non-abrasive table. Assemble Front Legs(C) to the front of the Seat(B) using four Bolts(D2), four Spring Washers(E) and four Flat Washers(F) with the provided Allen Key(G). Do not fully tighten any bolt, but 90%.

3



Sit on the chair, and wiggle. Ensure the chair is level on the floor, then fully tighten all Bolts(D) with the provided Allen Key(G).

4



Finally, place the vinyl flap to the bottom of the Seat(B) using the adhesive strips. Now the chair is completely assembled, and it is ready to use.