


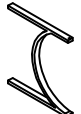

ASSEMBLY INSTRUCTION




GLOB 1896-1 TABLE TOP 42218962
1896-2 TABLE BASE 42318964

Thank you for purchasing this quality product. Be sure to check all packing material carefully for small parts, which may have come loose inside the carton during shipment. Identify and count all parts and compare with the **HARDWARE LIST** below.

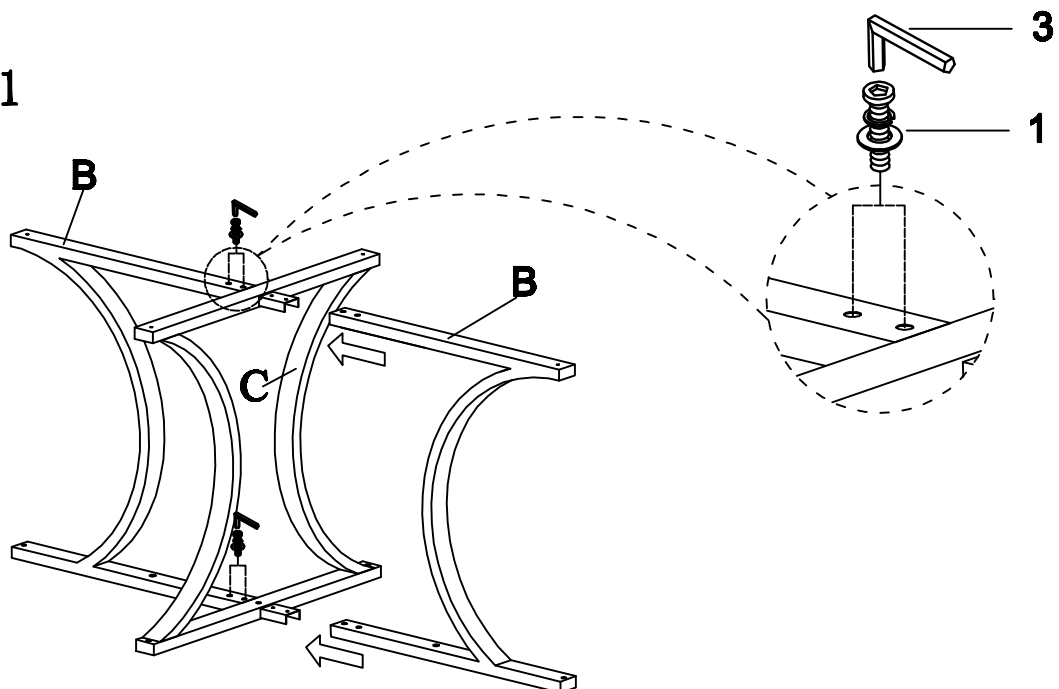
Caution: Please read instructions thoroughly before unpacking assembly parts. Sharp, exposed staple tips can cause injury, therefore, for your protection, please remove any exposed staples used in packing.

1. We recommend that you should assemble this product with the assistance of another person; this will make assembly easier, and will help to eliminate damage to the product or injury to persons during assembly.
2. Please do not over tighten screws or bolts until the assembly is completed.
3. Please put all parts on a non - abrasive floor before assembly, and follow the assembly steps to assemble your newly purchased product correctly and efficiently.

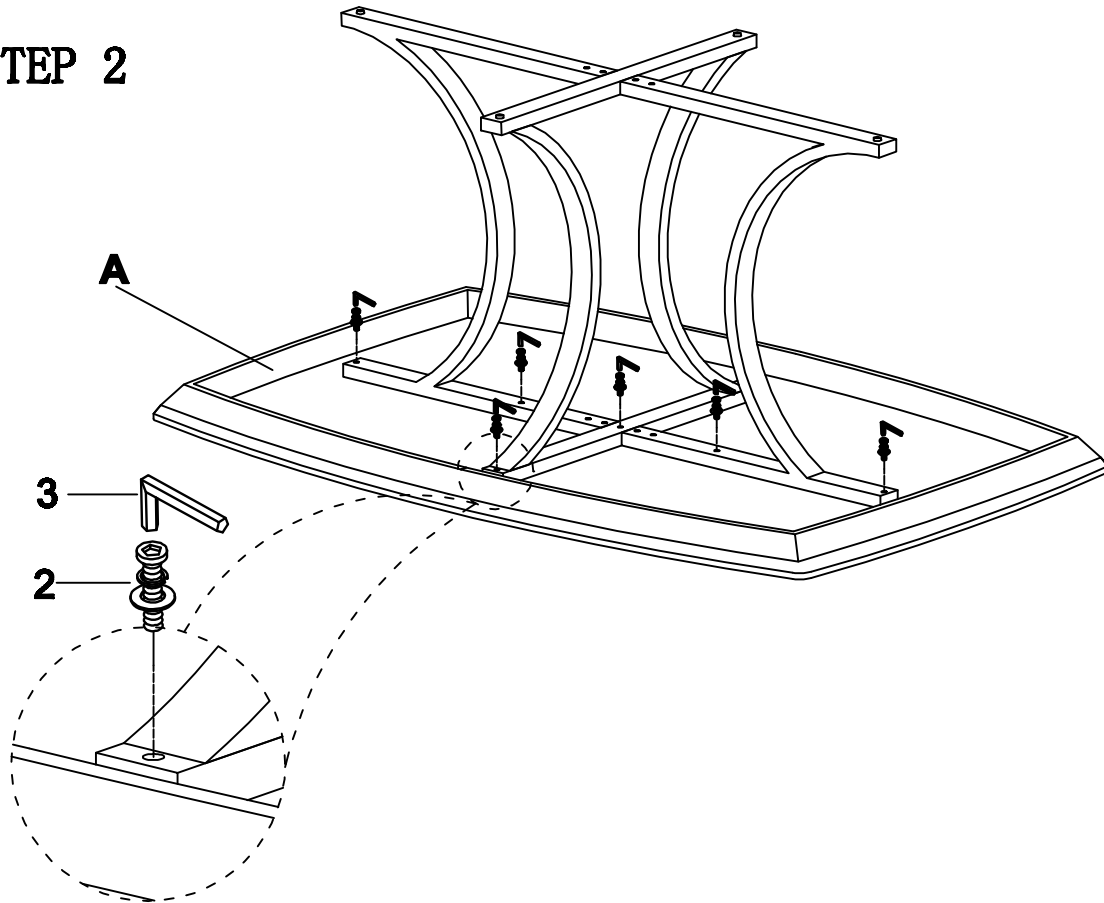
NO.	Parts List		Q' TY
A		Top	1
B		Leg	2
C		Leg	1

NO.	Hardware list		QTY
1		Bolt $\varnothing 1/4" \times 20 \times 5/8" L$	8
		Spring washer $1/4" \times \varnothing 11 \times 2mm T$	8
		Flat washer $\varnothing 1/4" \times \varnothing 16 \times 2mm T$	8
2		Bolt $\varnothing 1/4" \times 20 \times 1-1/2" L$	7
		Spring washer $1/4" \times \varnothing 11 \times 2mm T$	7
		Flat washer $\varnothing 1/4" \times \varnothing 16 \times 2mm T$	7
3		Allen wrench(4mm)	1

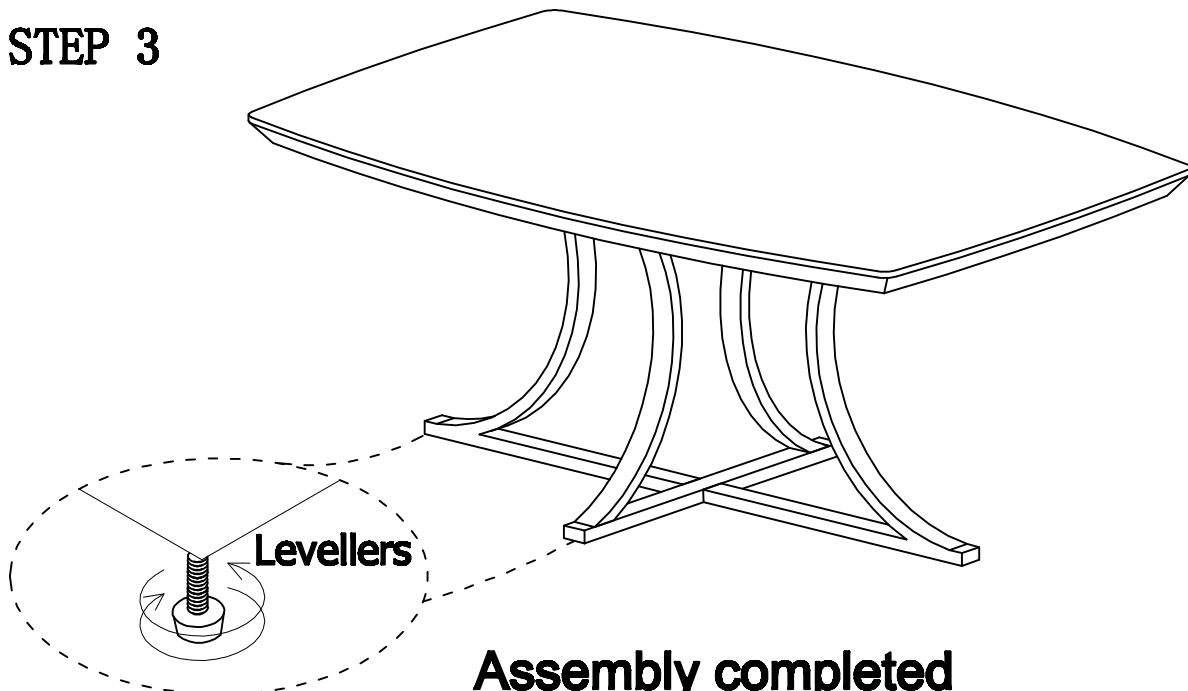
STEP 1



STEP 2



STEP 3



Assembly completed



ASSEMBLY INSTRUCTION

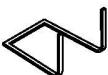

GLOB



1896-3 GREY SIDE CHAIR 42418966
 1896-4 CAMEL SIDE CHAIR 42618960
 1896-5 WHITE SIDE CHAIR 42718962

Thank you for purchasing this quality product. Be sure to check all packing material carefully for small parts, which may have come loose inside the carton during shipment. Identify and count all parts and compare with the **HARDWARE LIST** below.

Caution: Please read instructions thoroughly before unpacking assembly parts. Sharp, exposed staple tips can cause injury, therefore, for your protection, please remove any exposed staples used in packing.

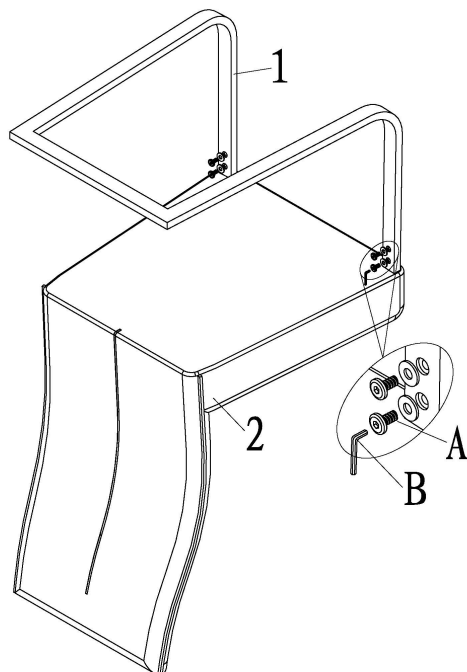
1. We recommend that you should assemble this product with the assistance of another person; this will make assembly easier, and will help to eliminate damage to the product or injury to persons during assembly.
2. Please do not over tighten screws or bolts until the assembly is completed.
3. Please put all parts on a non - abrasive floor before assembly, and follow the assembly steps to assemble your newly purchased product correctly and efficiently.

NO.	Parts list		Q' TY
1		Leg	1
2		Seat/Back cushion	1

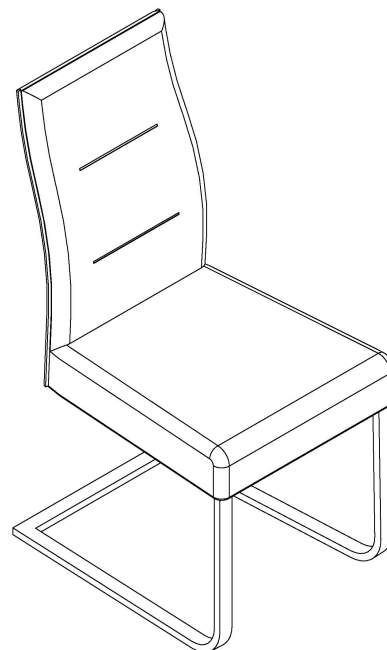
NO.	Hardware List		Q' TY
A		Bolt M6 × 10 × 12mmL	4
		Flat washer $\phi 6 \times \phi 16 \times 1\text{mmT}$	4
B		Allen wrench (4#)	1

The specification of these hardware is made in metric system, do NOT assembly this chair with hardware in British/American Unit.

STEP 1



STEP 2



Assembly completed