

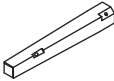








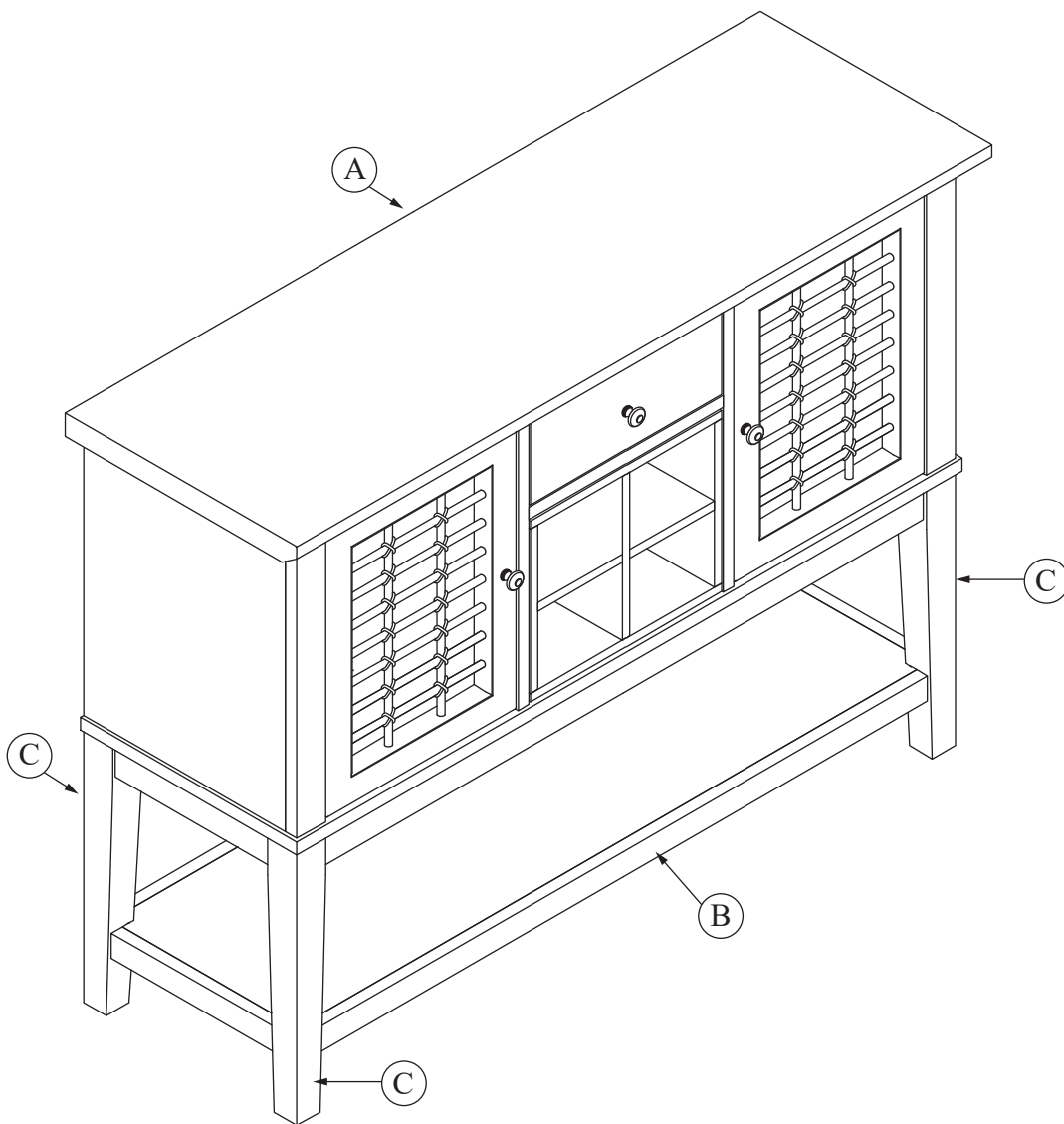


Thank you for purchasing this quality product. Be sure to check all packing material carefully for small parts which may have come loose inside the carton during shipment. Identify and count all parts and compare with the Hardware List below:

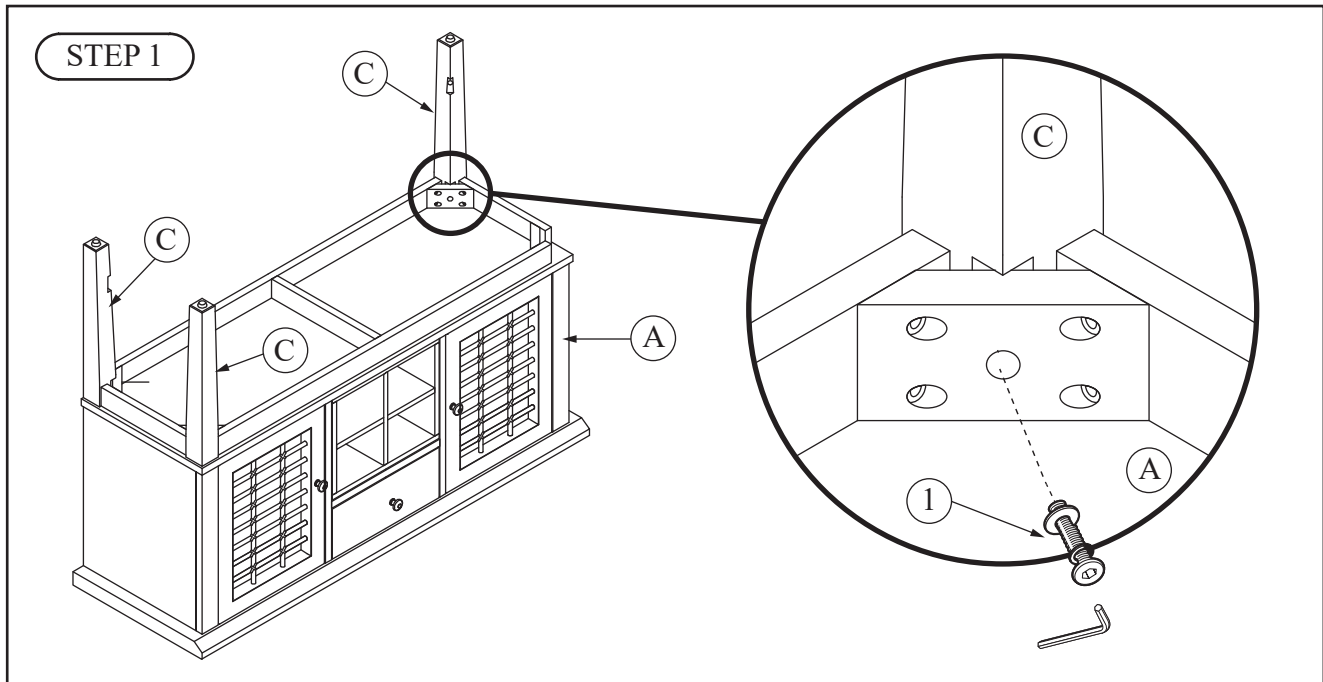
No.	Parts list	Q'ty
A	 Cabinet body	1
B	 Bottom panel	1
C	 Legs	4

Step	Hardware List	Q'ty
1	 Φ 5/16" * 18 * 2" L Allen bolt	3
	 Φ 5/16" * Φ 13 Spring washer	
	 Φ 5/16" * Φ 19mm * 2mmT Flat washer	
	 Allen wrench (4mm)	1
2	 Φ 5/16" * 18 * 2" L Allen bolt	5
	 Φ 5/16" * Φ 13 Spring washer	
	 Φ 5/16" * Φ 19mm * 2mmT Flat washer	
3	 Tip Restraint Kit	1

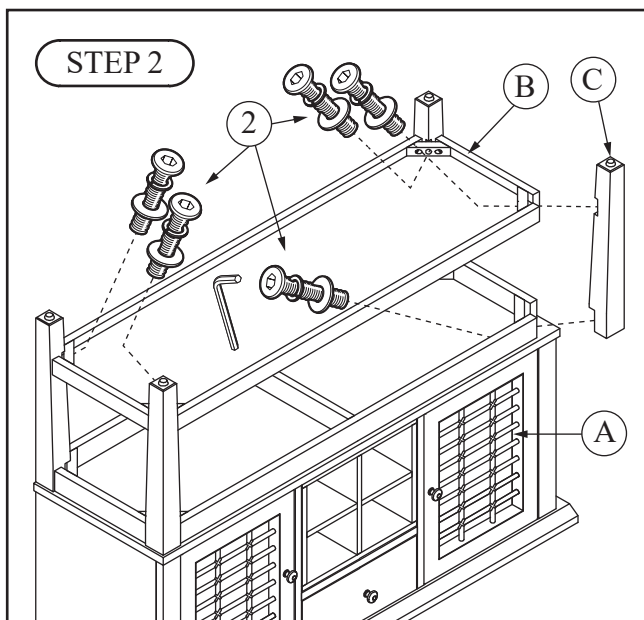


ASSEMBLY STEP

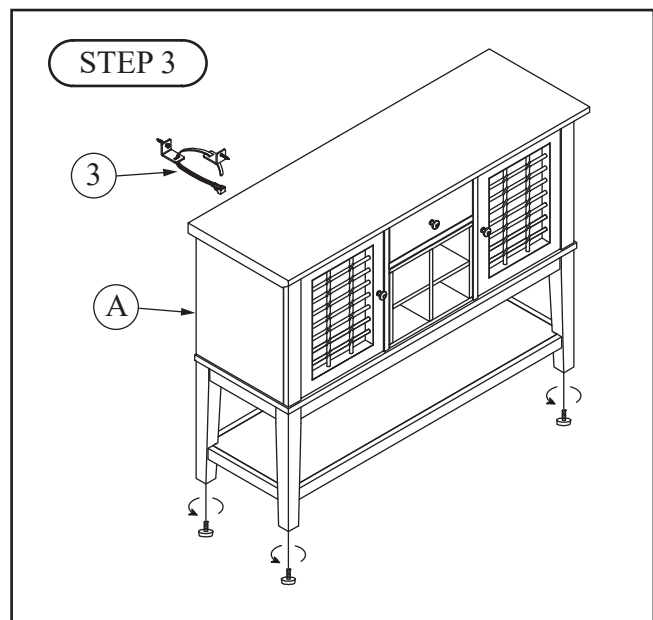
***Caution: Please read all instructions carefully before starting the assembly process. These parts are cumbersome and heavy. Therefore, two people are recommended in order to prevent personal injury and insure the parts are not damaged during the assembly.



Attach Three of the Legs (C) to Cabinet (A) using 2 Allen Bolts, 2 Spring Washers, and 2 Flat Washers (1) per leg.



Attach Bottom Panel (B) to Legs (C) using 1 Allen Bolt, 1 Spring Washer, and 1 Flat Washer (2) per leg. Attach remaining Leg (C) using 2 Allen Bolts, 2 Spring Washers, and 2 Flat Washers (2) to the Cabinet (A) and 1 Allen Bolt, 1 Spring Washer, and 1 Flat Washer (2) to the Bottom Panel (B).



Tighten all bolts with Allen Wrench provided. Tighten levelers on bottom of legs. Attach Tip Restraint Kit (3) to back of Cabinet (A). The assembly is now complete.