

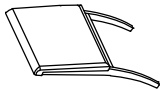
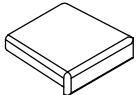


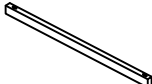
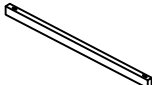
# ASSEMBLY INSTRUCTIONS





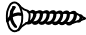

**JSFC**

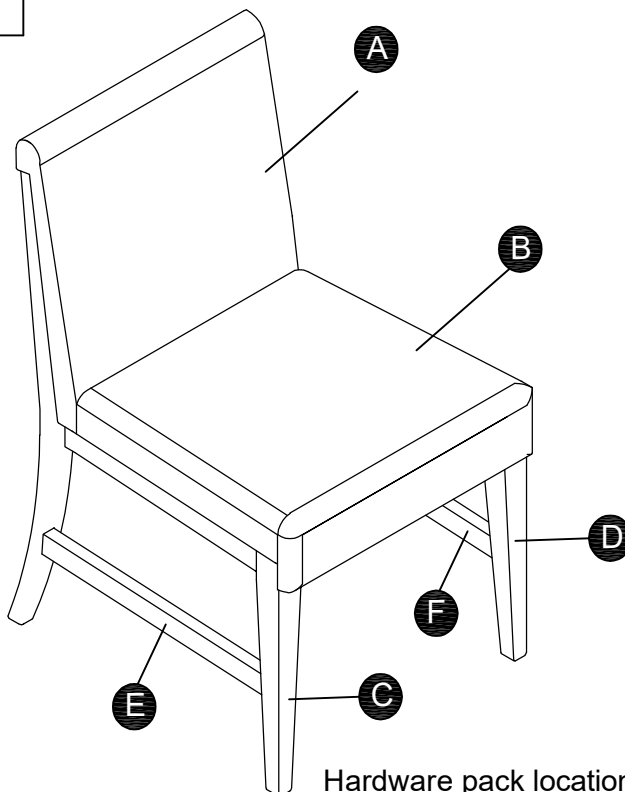
5451-803 SIDE CHAIR WITH UPHOLSTERED BACK - SKU : 42454518  
 5451-803B SIDE CHAIR WITH UPHOLSTERED BACK - SKU : 42754514

Version #1 - 2024/07/11

Thank you for purchasing this quality product. Be sure to check all packing materials carefully for small parts which may have come loose inside the carton during shipment. Identify and count all parts and compare with the parts list below.

COMPONENT LIST			
NO.	Description	Sketch	Q'TY
A	Back Rest		1pc
B	Seat Cushion		1pc
C	Front Leg - L		1pc
D	Front Leg - R		1pc
E	Stretcher - L		1pc
F	Stretcher - R		1pc

HARDWARE LIST				
NO.	Picture	Description	Dimension	Q'TY
1		Flat Washer	5/16"*19*2mm	4 pcs
		Spring Washer	5/16"*12*2mm	4 pcs
		Bolt	5/16"*18*85mm	4 pcs
2		Flat Washer	5/16"*19*2mm	4 pcs
		Spring Washer	5/16"*12*2mm	4 pcs
		Bolt	5/16"*18*57mm	4 pcs
3		Flat Washer	1/4"*19*2mm	2 pcs
		Spring Washer	1/4"*12*2mm	2 pcs
		Bolt	1/4"*18*38mm	2 pcs
4		Allen Key	4mm	1 pc
5		Screw	Ø4 x 45mm	4 pcs
6		Tool Required(not provided)		



Hardware pack locations

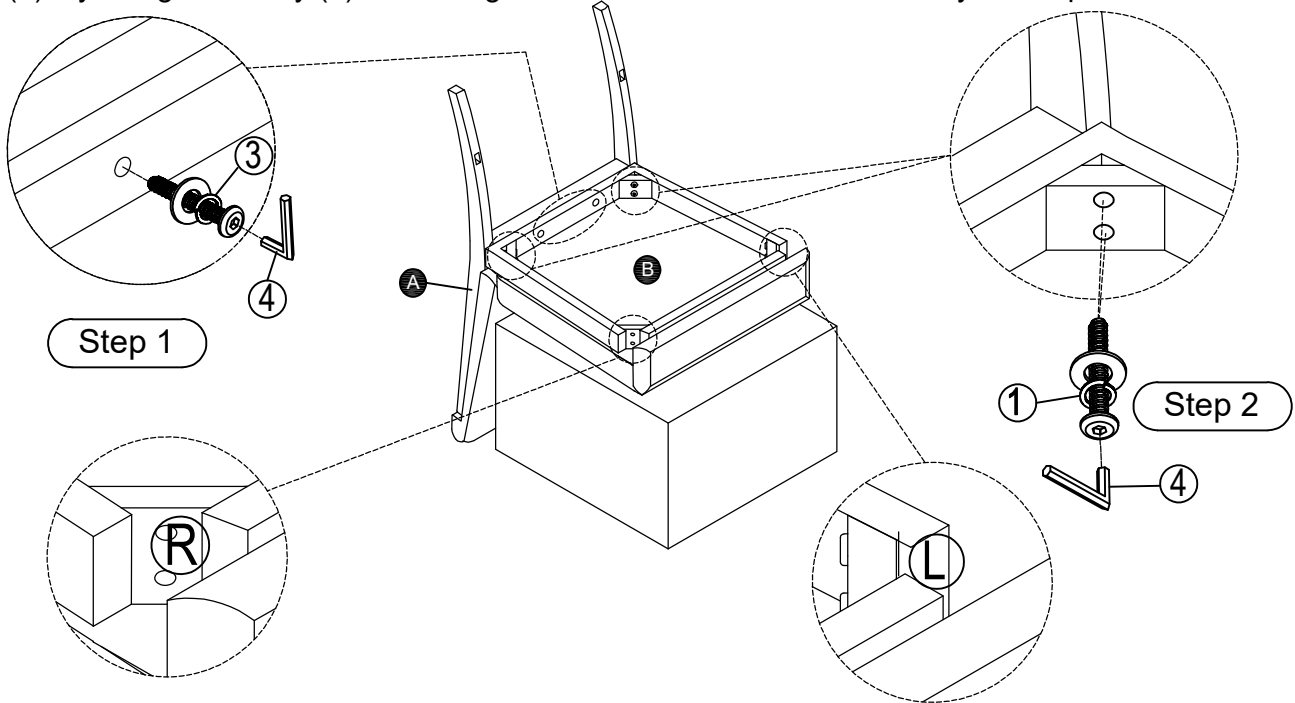
**PARTS DETAILS**

5451-803 SIDE CHAIR WITH UPHOLSTERED BACK - SKU : 42454518  
 5451-803B SIDE CHAIR WITH UPHOLSTERED BACK - SKU : 42754514

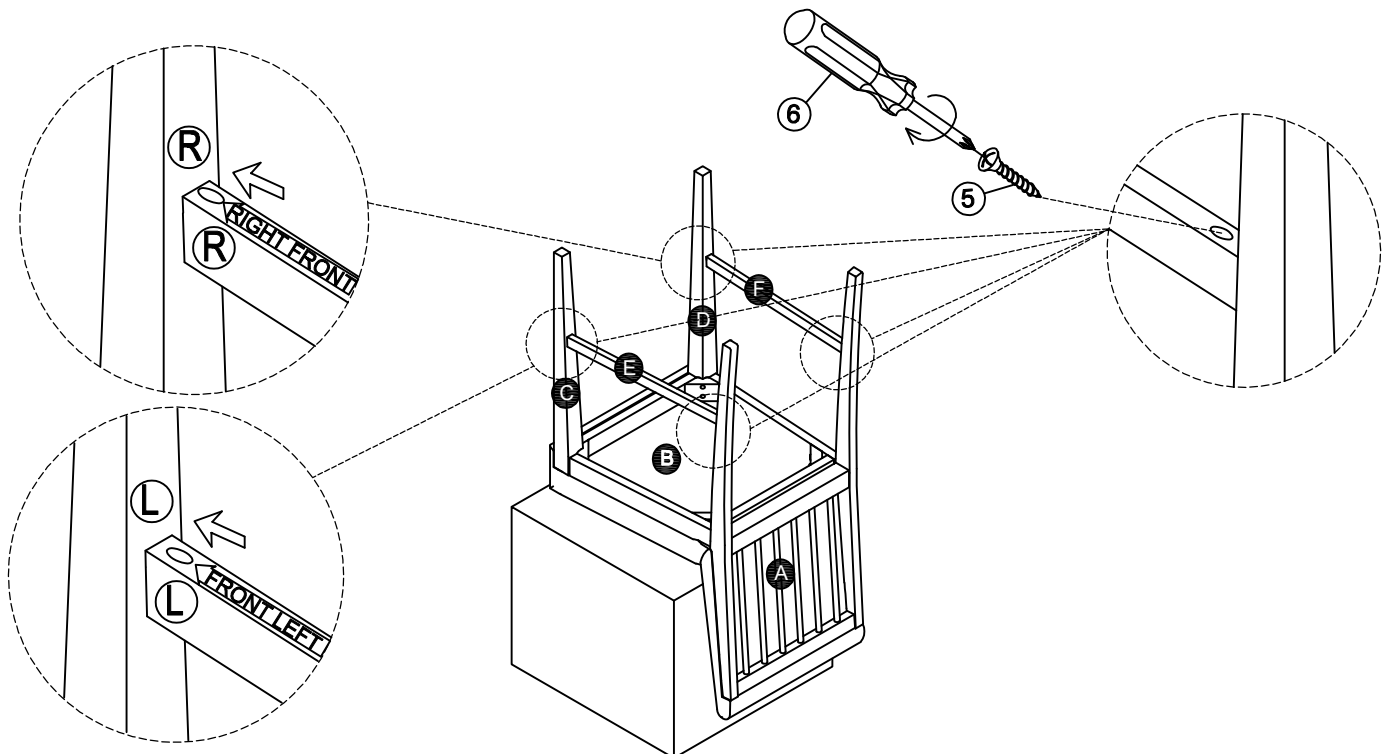
This product is manufactured by JSFC for **ROOMS TO GO**

**STEP 1:** Attach the **Seat Cushion (B)** to **Back Rest (A)**, secure with Flat Washers, Spring Washers and Bolts (3) by using Allen Key (4). Do not tighten all the bolts until the assembly is completed

**STEP 2:** Attach the **Seat Cushion (B)** to **Back Rest (A)**, secure with Flat Washers, Spring Washers and Bolts (1) by using Allen Key (4). Do not tighten all the bolts until the assembly is completed



**STEP 3:** Attach **Stretcher-L(E)** to **Front Legs-L(C)**, then attach **Front Legs-L(C)** to **Seat Cushion(B)**; meanwhile attach **Stretcher-R(F)** to **Front Legs-R(D)**, then attach **Front Legs-R(D)** to **Seat Cushion(B)**. Tighten the **Screws(5)** in these 4 positions, by using **Phillips Head Screw Driver(6)** (not provided).



**STEP 4:** Attach Pre-assembled **Front Legs-L(C)** and **Front Legs-R(D)** to **Seat Cushion(B)**, secure with Flat Washers, Spring Washers and Bolts(2) by using Allen Key(4).

